

Contact us

ABB Oy

Muuttitie 2A 65320

Vaasa, Finland

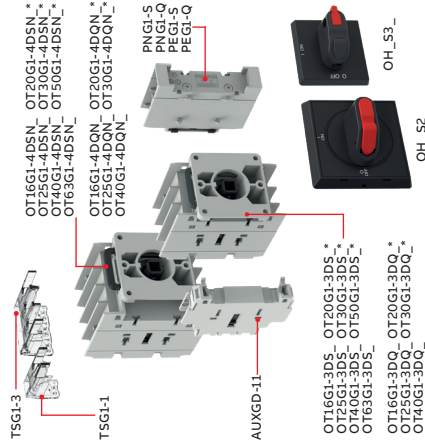
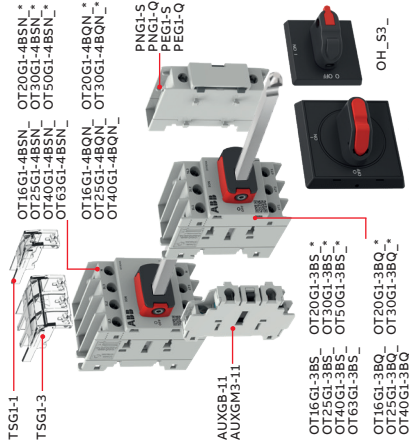
abb.com/lowvoltage



© Copyright 2025 ABB. All rights reserved.
Specifications subject to change without notice.

34OT_G1-34 rev.A/ 15CC301148M0201 # 28.02.2025

OT Plus OT16...63G1-



*cUL only

Mounting

1 Nm
9 lb.in
M4

Ø 4.5mm
0.18 in

IEC60715

35 mm
1.37 in



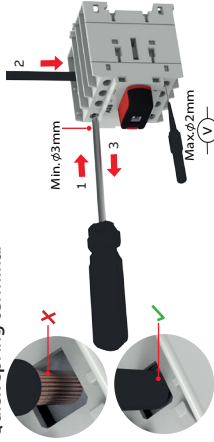
15...21 mm
0.59...0.83 in



POZIDRIV
M5 Form 2

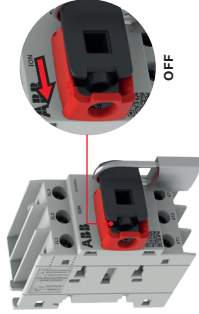
1 Nm
9 lb.in

Quick spring terminal

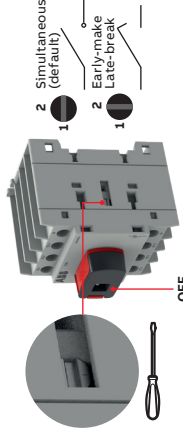


Padlock

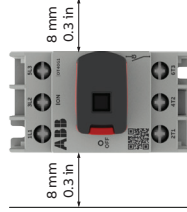
Ø5...6 mm
0.20...0.23 in



Adjustable neutral pole timing



Clearances per UL60947-4-1



Quick spring terminal

Wire type (Cu only)	1 Wire (mm ²)	2 Wire (mm ²)	1Wire (mm ²)	Stripping length	Tightening torque
Class 5-Flexible	1.5-16	1.5-6	1.5-10	9-10 mm 0.35-0.39 in	POZIDRIV M5 Form 2 1 Nm 9 lb.in
Class 2-Stranded	1.5-16	1.5-6	1.5-10		
Class 6-Very flexible with ferrule	0.75-4	0.75-4	1.5-4		
Class 1-Solid	0.75-6	0.75-6	1.5-4		
UL - Stranded	16-6	16-10	16-8		
UL - Solid	18-10	18-10	18-10		



Warning! Hazardous voltage! Installation by person with electrotechnical expertise only.

