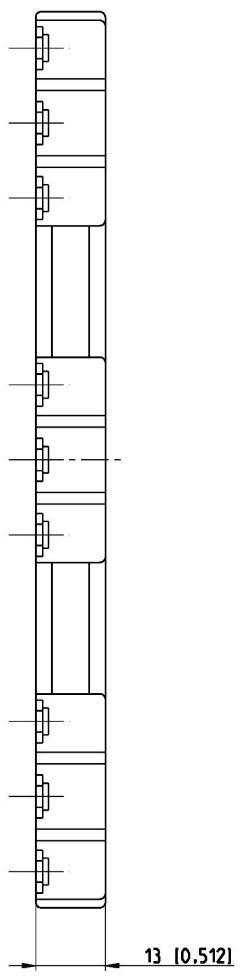
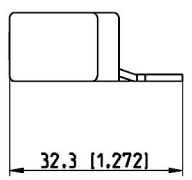
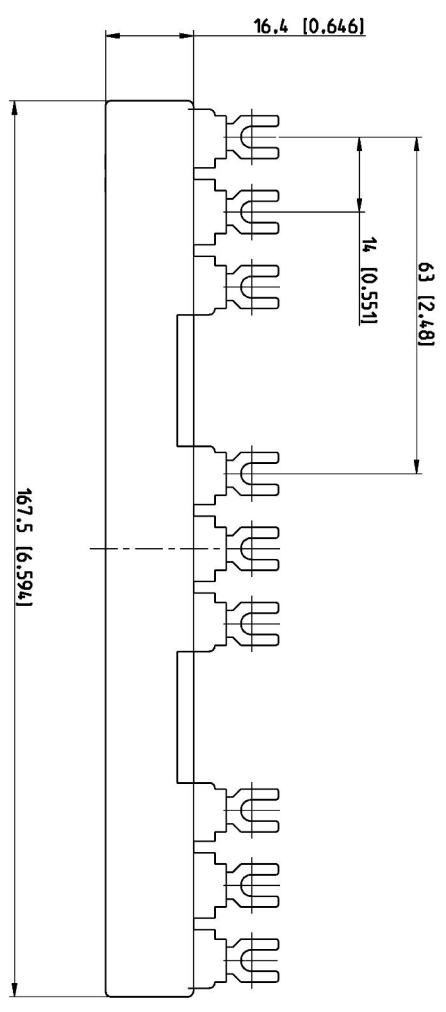


Pos.	Title	Identification number
	Maßbild PS1-3-2-65 (B)	1SAM200450 F...



Bemessung in (mm [Inch])
 dimensioning in (mm [Inch])

F10

Revision history	A	20000702695	Created by	F.Hustler	11.07.12	Checked by	M.Konrad	11.07.12	Approved by	R.Kommerl	17.07.12	
ECN number	20000702751	ECN date	10.07.12	Department	CLD	Scale	1:1					
Revision Index	B 2	PRJ	DESTO	Drawing	1SAM200450F0010 B.6	Formal	A3	Language	de/en	Sheet No.	10	
Partname	1SAM201906RT23 B.2										No. Sheets	12

Proprietary and Secret Information
 We reserve all rights in this document and in the information contained therein. Reproduction, use or disclosure to third parties without express authority is strictly forbidden. © Copyright 2012 ABB.



Title (de) Maßbild PS1-3-2-65 (B)
 Title (en) dimension drawing PS1-3-2-65
 1SAM200450