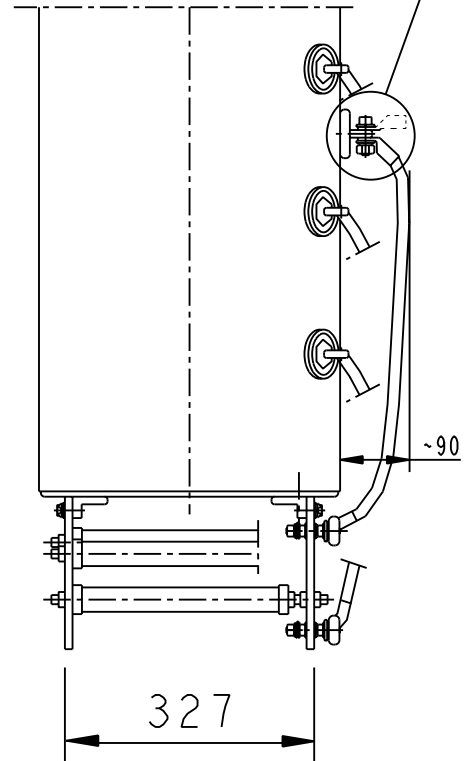
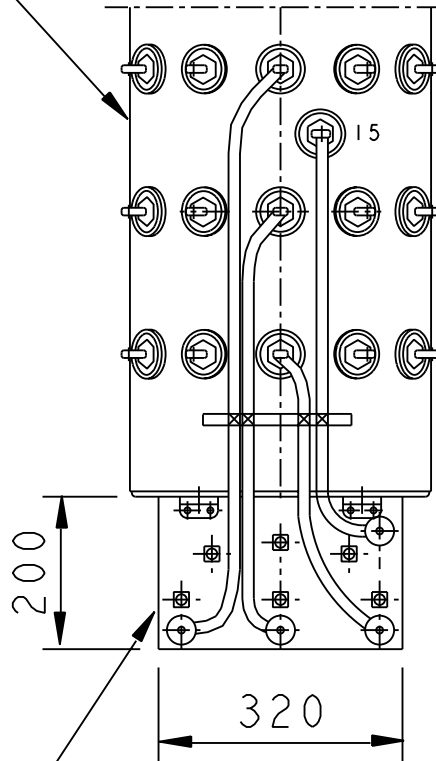
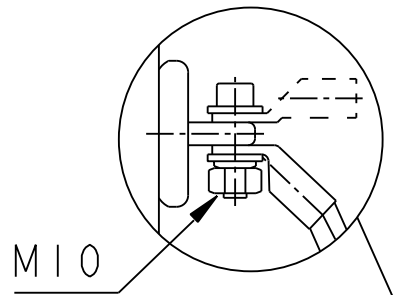


We reserve all rights in this document and in the information contained therein. Reproduction, use or disclosure to third parties without express authority is strictly forbidden. ©ABB

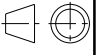

Tap-changer
Lindningskopplare



Tie-in resistor
Dämpmotstånd

- a) Distance between leader min. 20 mm
- b) Distance between a leader and a contact or another metal surface min. 30 mm
- c) Distance between leader and cylinder surface min. 50 mm

Inspection engineering review
 Design engineering review
 Production engineering review

Based on	Reg. No.	Title	
Prepared B Ekman 95 week 19	Responsible department COM/TK	TIE-IN FOR UBB.N	 Language en
Approved B-O Stenestam	Take over department	DÄMPMOTSTÅND FÖR UBB.N	
Revision Rev 2 99-02-25	Database DIMENSION_DWGS		Page 1(1)
 ABB Components		Document No.	5492 0050-27