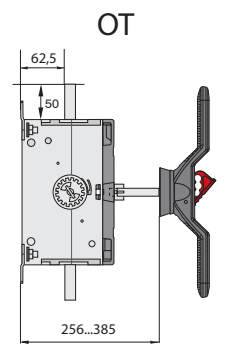
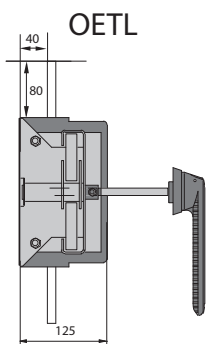
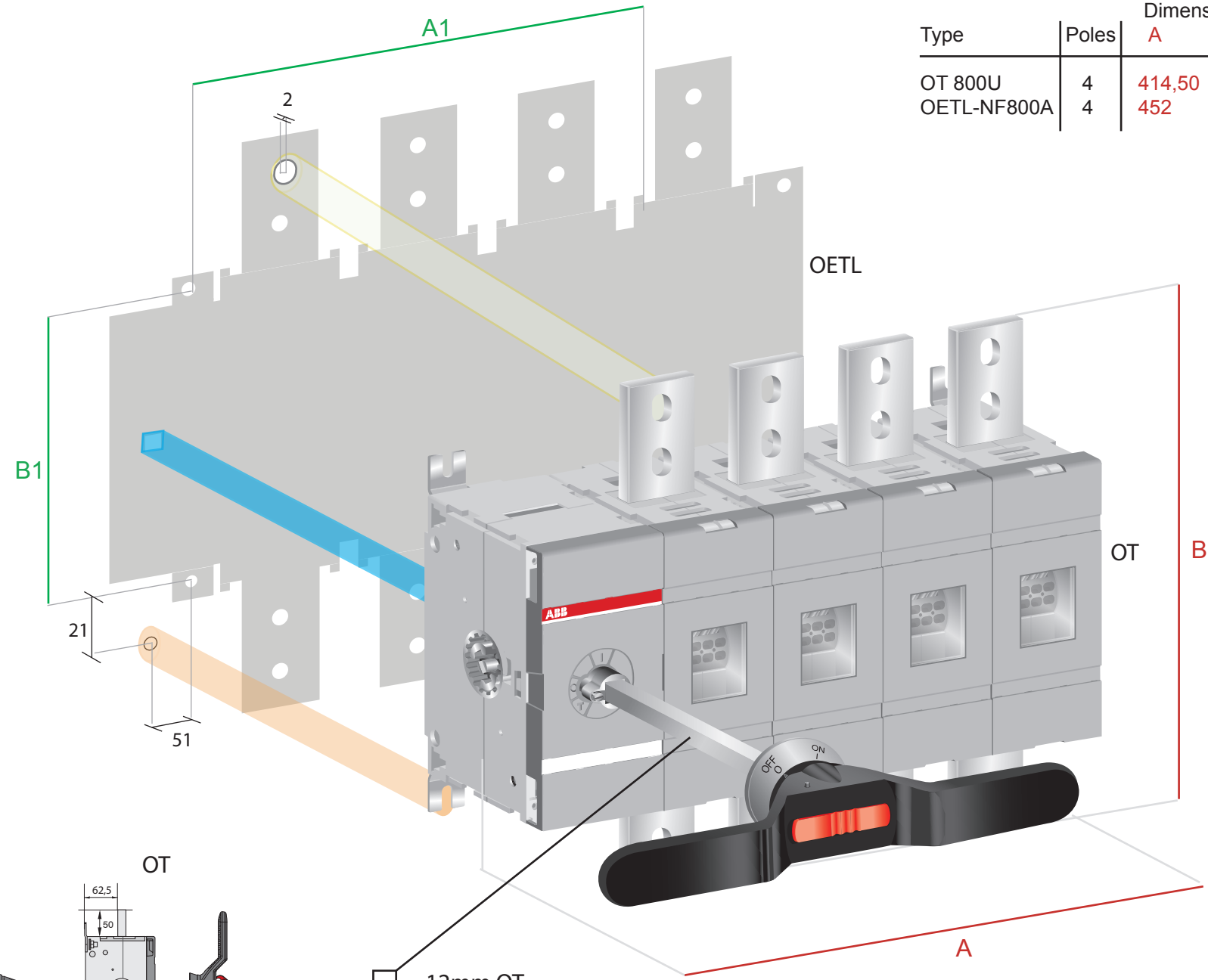


Type	Poles	Dimensions		Drilling	
		A	B	A1	B1
OT 800U	4	414,50	372	374	232
OETL-NF800A	4	452	372	385	190



□ = 12mm OT
12mm OETL