

XEB LED Series

Class I Division 2,
Groups A, B, C and D
hazardous location
battery unit

Key features and benefits

Housing

- Class I Division 2, Groups A, B, C and D
- Vandal-resistant UV stabilized polycarbonate lamp cover
- Front and back plates are of a heavy duty aluminum
- Stainless steel tamper-proof screws

Mounting:

- Surface wall mount only
- Includes mounting lugs on each side of the housing
- Universal J-box mounting
- 1/2 inch entry on both sides and top of housing

Lamp type

- Choice of MR16 LED lamp wattages

Electronics

- Pulse plus charger
- Low voltage disconnect
- Automatic brownout protection
- Battery lock-out
- Fused output circuit
- Magnetic test switch
- Standard Advanced Diagnostics (non-audible)
- 120/277 60Hz

Battery type

- 6 or 12V lead-calcium battery

Approvals

- CSA-US (to UL 924 standards)
- Evaluated to the UL 844 Standard for Class I Division 2, Groups A, B, C and D
- NEC, OSHA and NEMA compliant for above Classes and Groups
- Damp and wet location (50°F to 104°F)

Warranty

- Unit has a five-year limited warranty



CLASSIFICATION

CLASS I

Division 2 Groups A, B, C, D

Contact your ABB sales representative
to verify classification

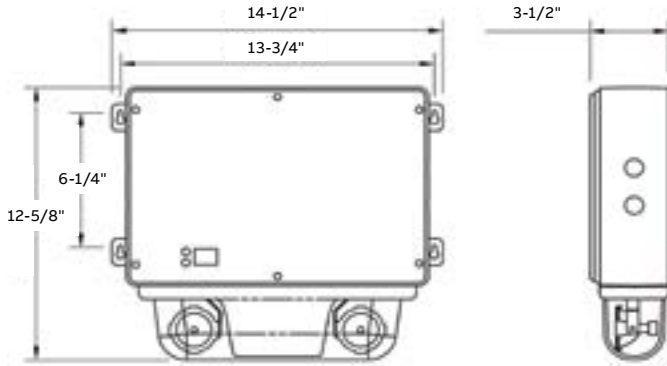
CERTIFICATIONS



FEATURES



Dimensions



Temperature codes

Lamp rating ¹	Temperature code	Max. temperature	Replacement part #
6V-4W	T4A	120°C	580.0097-EX
12V-4W	T4A	120°C	580.0080-EX
12V-5W	T4A	120°C	580.0104-EX
12V-6W	T4A	120°C	580.0106-EX

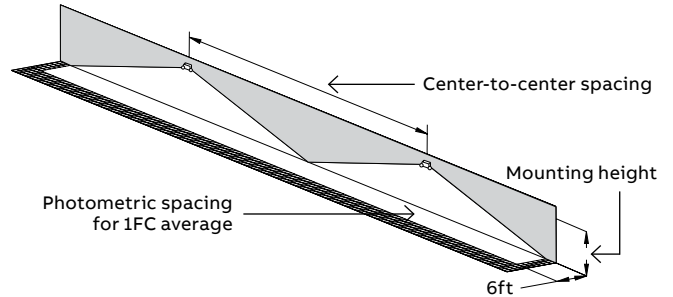
¹Use qualified replacement lamps to avoid risk of over-heating

Power consumption and unit rating

Model	AC specs	Battery capacity in watts					
		1-1/2 hrs	2 hrs	3 hrs	4 hrs	8 hrs	
XEB18	120/277VAC	0.17 / 0.09 Amp	18	12	9	-	-
12XEB36		0.30 / 0.15 Amp	36	27	18	14	-
12XEB60		0.30 / 0.15 Amp	60	45	30	24	12
12XEB72		0.30 / 0.15 Amp	72	54	36	28	14

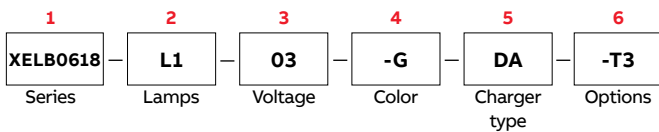
Photometric performance

Lamp	Spacing center-to-center (feet)	
	7' mounting height	15' mounting height
L1	39'	34'
L7	49'	39'
L9	68'	54'
L10	89'	80'



Numbering system

Lighting fixture



Lighting fixture

Part	Part number	Description
1 Series	XELB0618	6V 18W lead-calcium
	XELB1236	12V 36W lead-calcium
	XELB1260	12V 60W lead-calcium
	XELB1272	12V 72W lead-calcium
2 Lamps	L1	2 x MR16 LED 6V 4W
	L7	2 x MR16 LED 12V 4W
	L9	2 x MR16 LED 12V 5W
	L10	2 x MR16 LED 12V 6W
3 Voltage	03	120/277V 60 HZ
4 Color	-G	Gray housing
5 Charger type	Blank	Advanced Diagnostics non-audible
	DA	Advanced Diagnostics audible
6 Options	Blank	No option
	-T3	Time delay 15 minutes