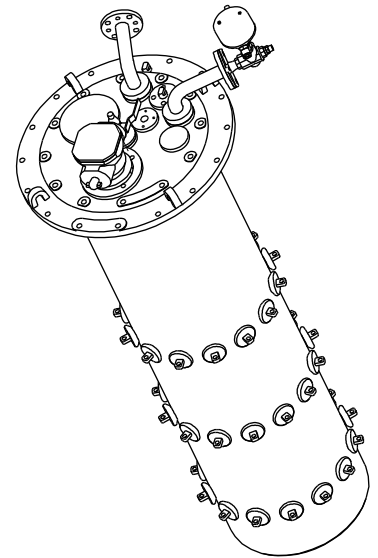
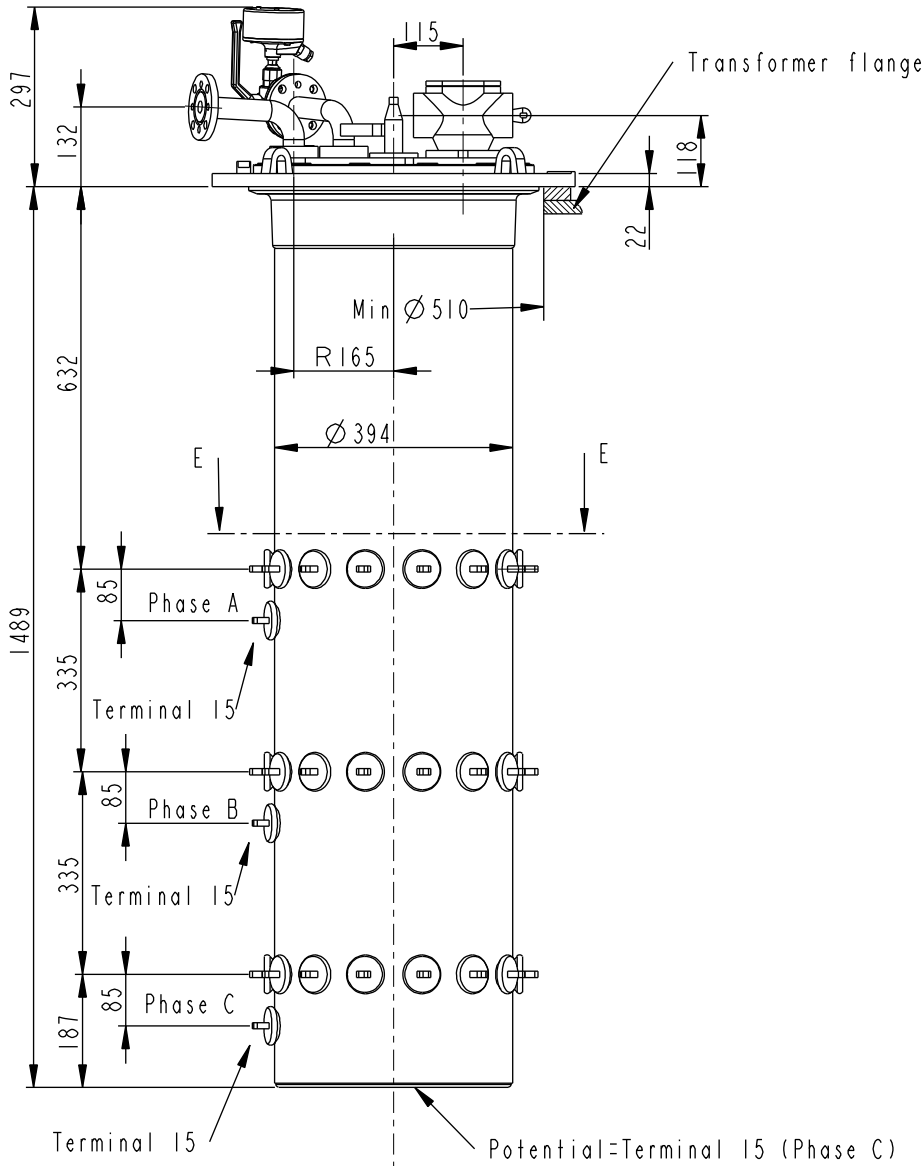
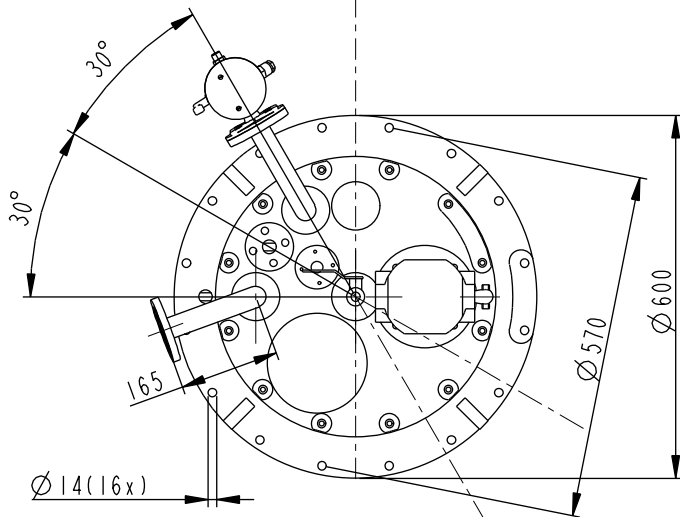
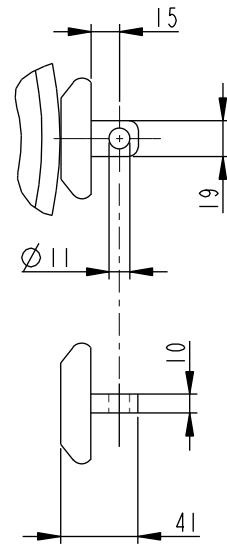


We reserve all rights in this document and in the information contained therein. Reproduction, use or disclosure to third parties without express authority is strictly forbidden. ©ABB



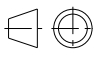

Selector switch contacts and current collector terminals



Inspection engineering review

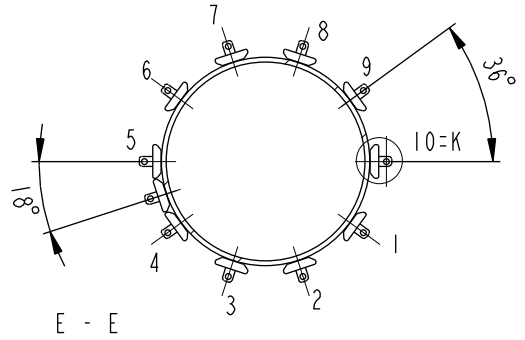
Production engineering review

Design engineering review

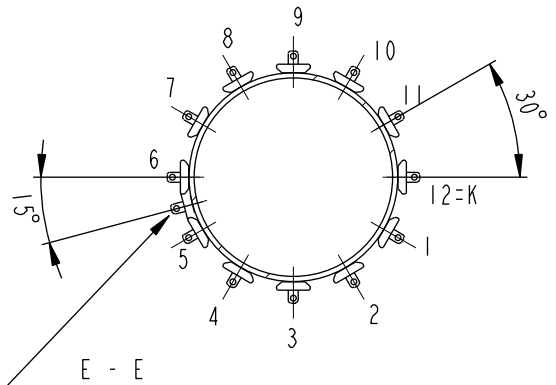
Based on	Reg. No.	Title TAP-CHANGER UBB UBBLT XXX/YYY 5-14 pos Document No. 54920088-1	 Language en Page 1(2)
Prepared T Sapila 96-04-01	Responsible department COM/TK		
Approved B Hultgren	Take over department		
Pressure relay changed Rev.2 060926	Database DIMENSION_DWGS		
 <b>ABB Components</b>			

ARRANGEMENT OF  
SELECTOR SWITCH CONTACTS

5-10 POSITIONS

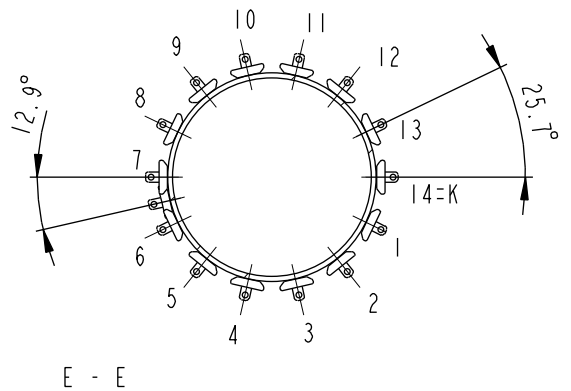


11-12 POSITIONS



Current collector terminal 15

13-14 POSITIONS



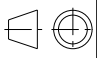

We reserve all rights in this document and in the information contained therein. Reproduction, use or disclosure to third parties without express authority is strictly forbidden. ©ABB

Production engineering review

Design engineering review

ADDITIONAL DRAWINGS:

Connection Diagrams: See Technical Guide UB  
 Mounting on active part: 54920088-8  
 Top Section, Accessories: 54920088-10  
 Motor Drive BUL: 54830001-1  
 Motor Drive BUE: 54830001-2 or -3  
 External Drive Shaft: 54920088-9  
 Pressure Relay: 54920083-2  
 Bevel Gear: 54920083-1

Based on	Reg. No.	Title TAP-CHANGER UBB UBBLT XXX/YYY	 Language en
Prepared T Sapila 96-04-01	Responsible department COM/TK		
Approved B Hultgren	Take over department	Database DIMENSION_DWGS Document No. 54920088-1	Page 2(2)
5-14 pos. was 10,12,14 pos. Rev.2 06-09-26			
 <b>ABB Components</b>			

Inspection engineering review