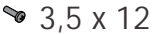

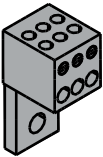

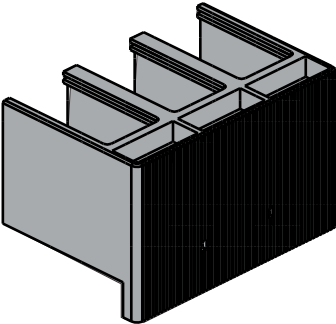

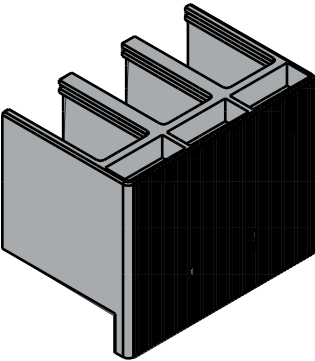
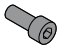
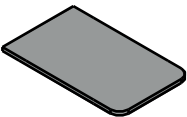


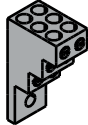


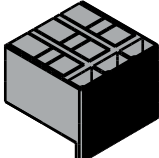
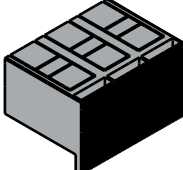


# Tmax

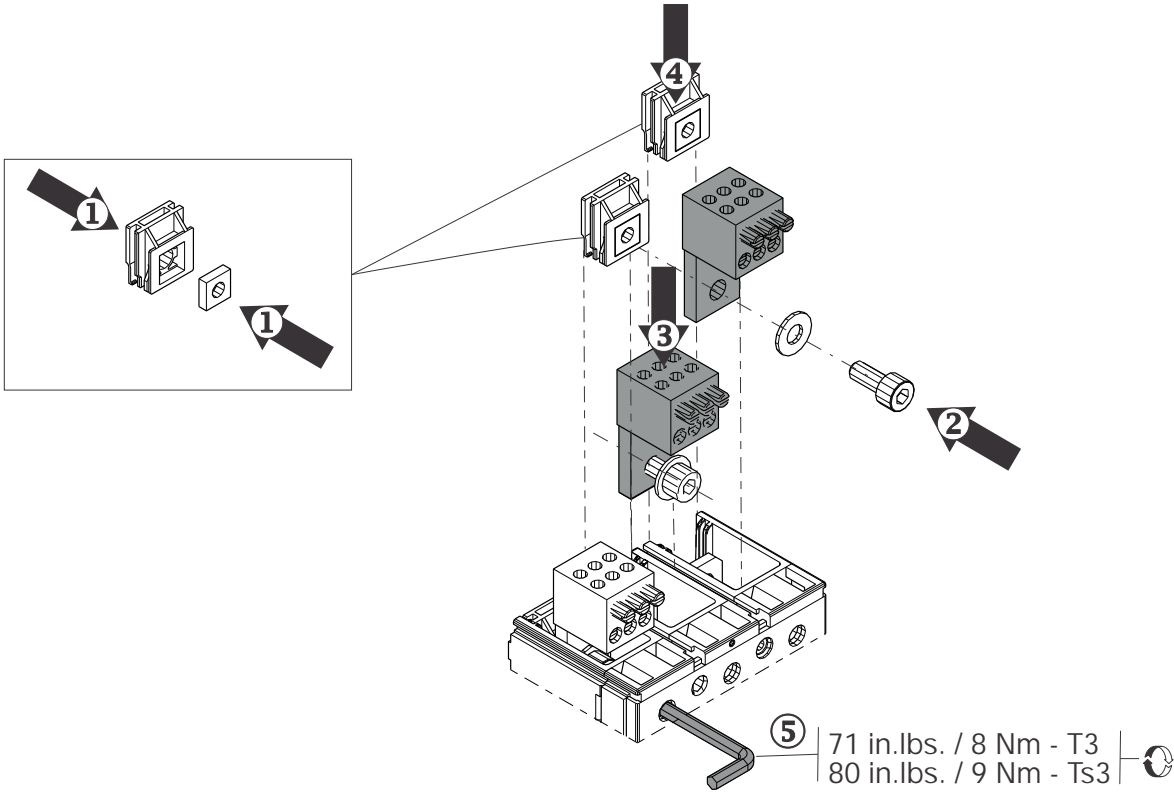
DOC. N.° 1SDH001117R0001 - L8721

MC - Terminali anteriori multicavo per cavi in rame-alluminio Ts3-T3-T4-T5 UL fisso  
 MC - Multi-cable front terminals for copper-aluminum cables Ts3-T3-T4-T5 UL fixed  
 MC - Vorderseitige Anschlüsse für mehrere Kabel aus Kupfer-Aluminium Ts3-T3-T4-T5 UL, fest  
 MC - Prises avant multicâble pour câbles en cuivre-aluminium Ts3-T3-T4-T5 UL fixe  
 MC - Terminales frontales multicable para cables de cobre-aluminio Ts3-T3-T4-T5 UL fijo

	Ts3		T3			T4		T5	
	III	IV	III	IV		III	IV	III	IV
	2(4)	2(4)	-	-		1(2)	1(2)	1(2)	1(2)
	3(6)	4(8)	3(6)	4(8)		3(6)	4(8)	-	-
	1(2)	1(2)	-	-		3(6)	4(8)	-	-
	-	-	1(2)	1(2)		3(6)	4(8)	-	-
	3(6)	4(8)	3(6)	4(8)		-	-	3(6)	4(8)
						3(6)	4(8)	-	-
						-	-	3(6)	4(8)
						3(6)	4(8)	-	-
						-	-	3(6)	4(8)
						1(2)	1(2)	-	-
						-	-	1(2)	1(2)

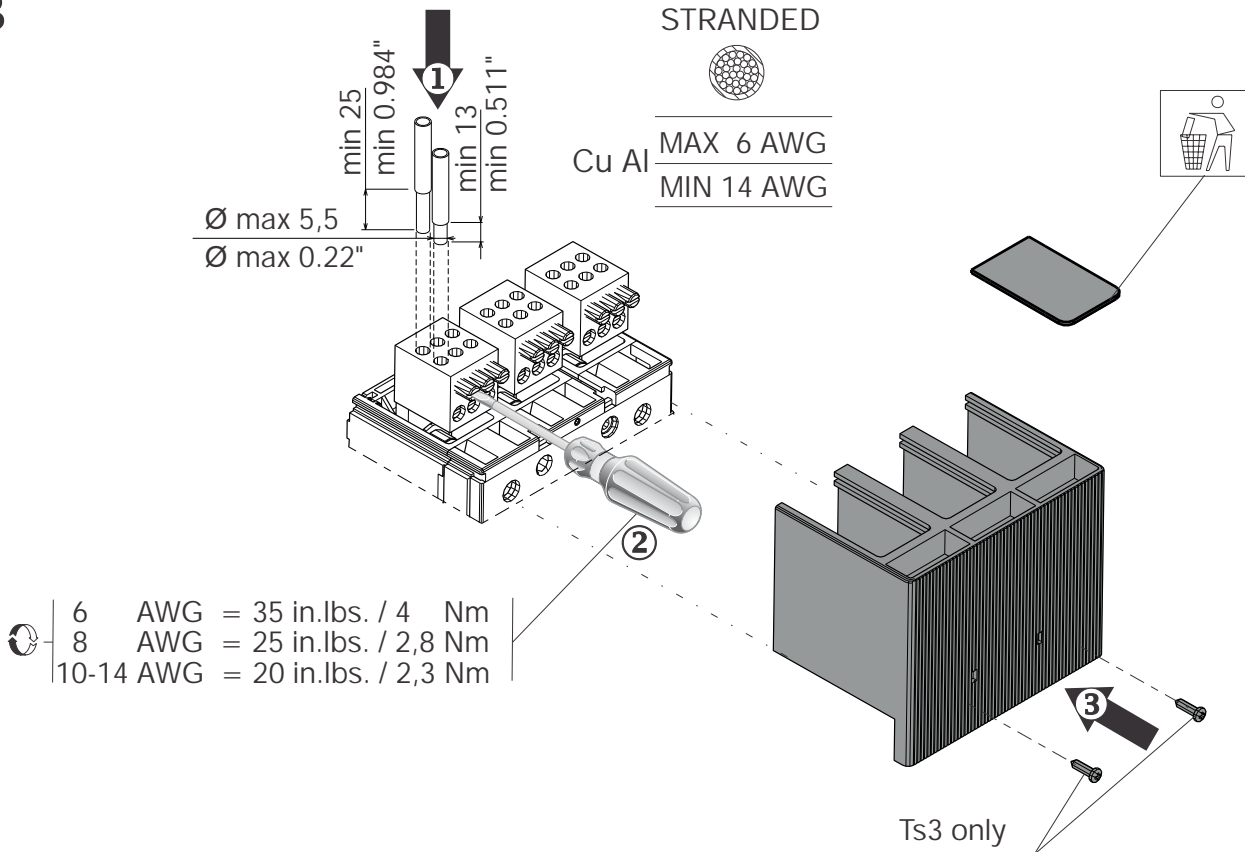
A

T3 - Ts3

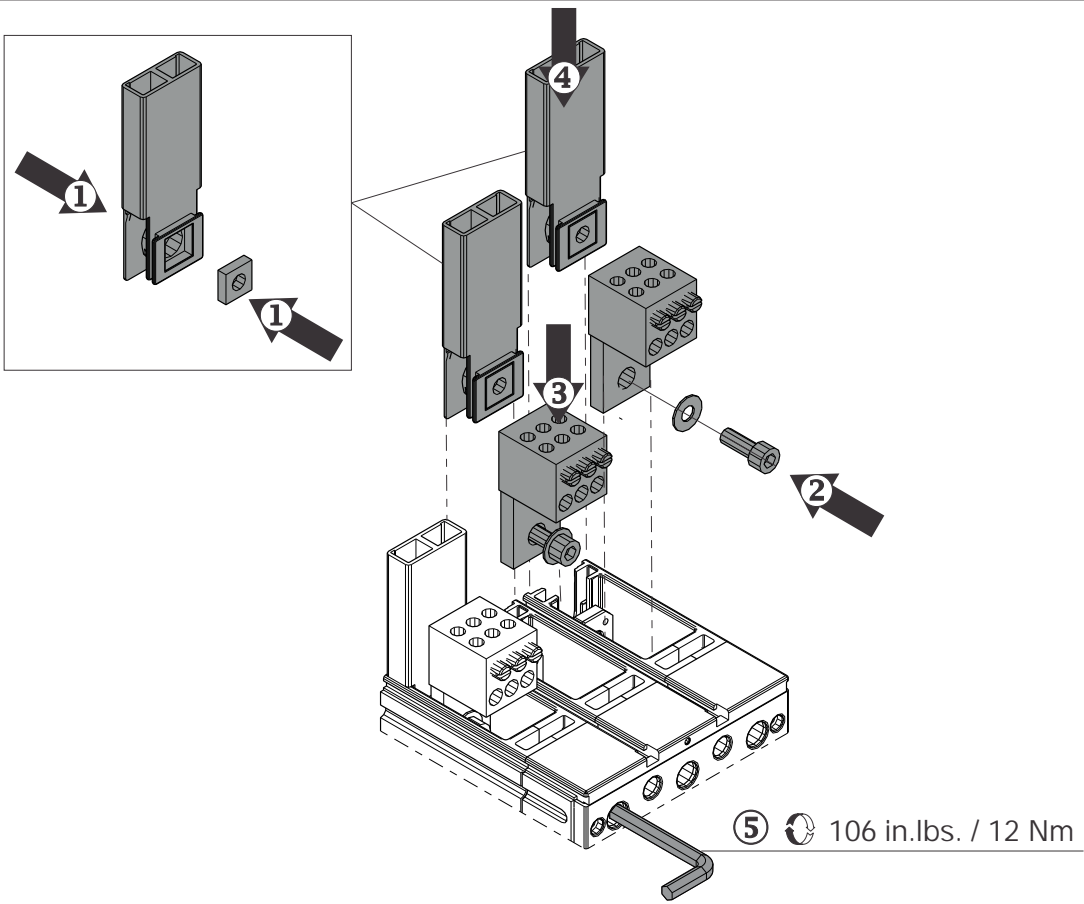


B

T3 - Ts3



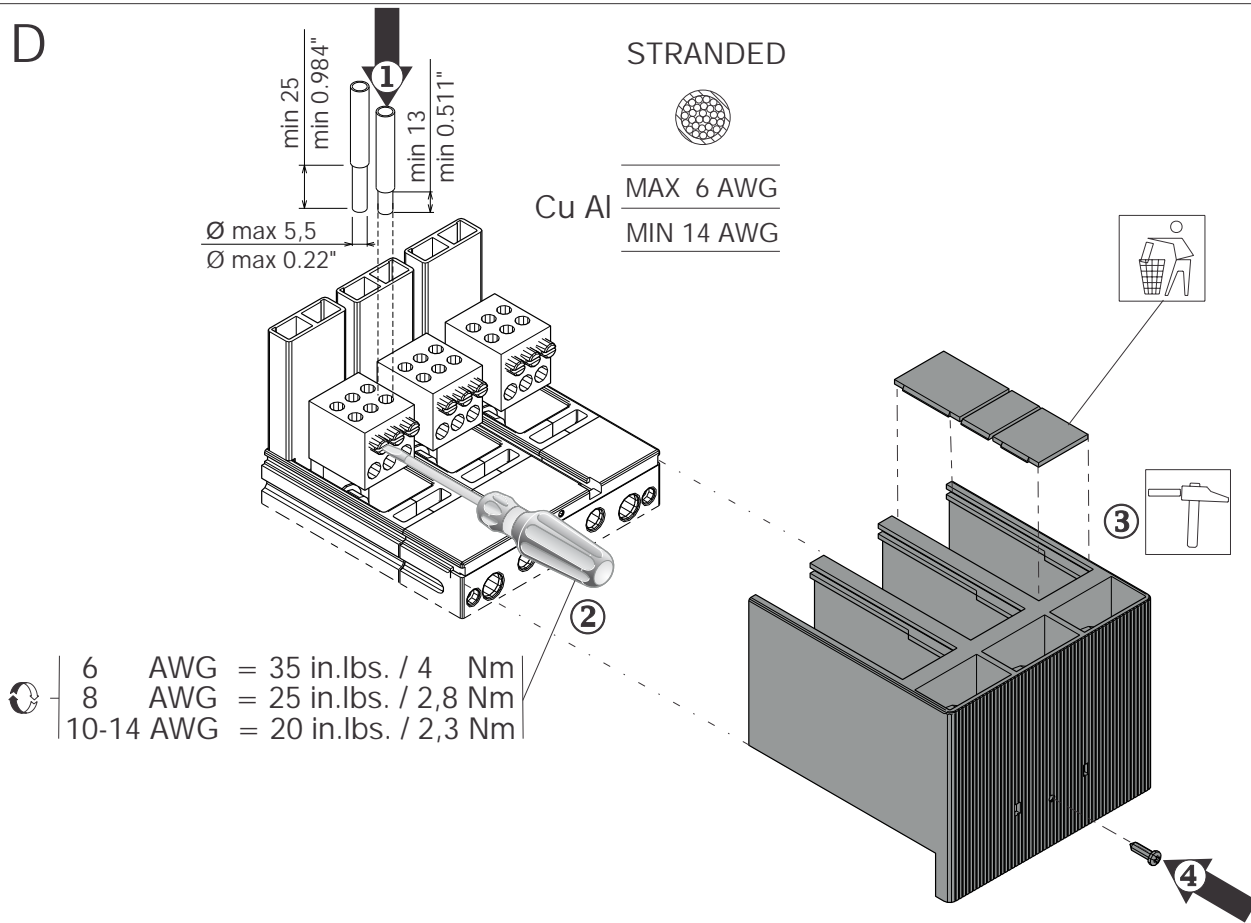
C



T4



D



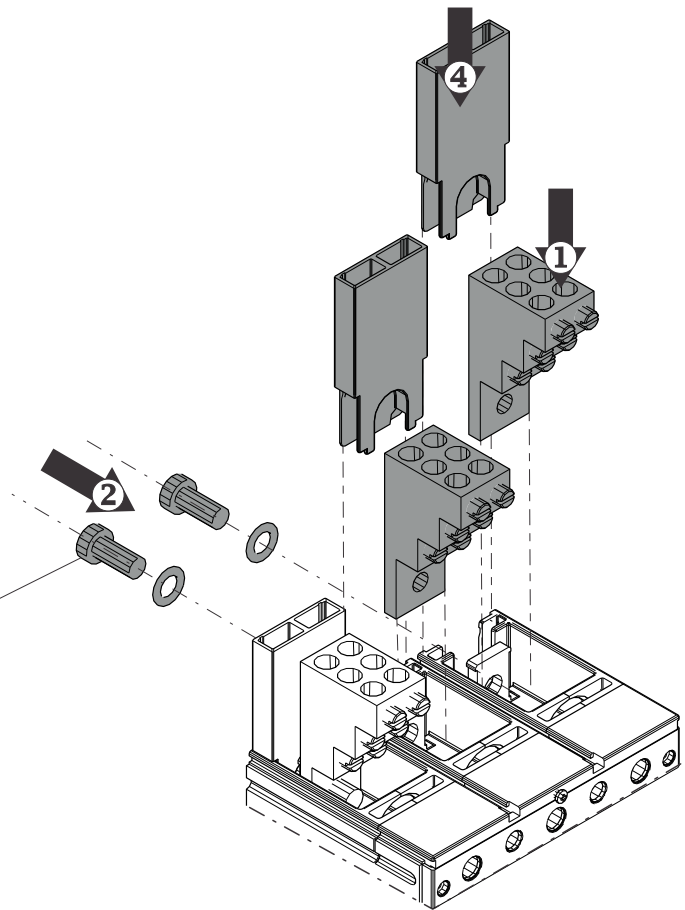
T4



E

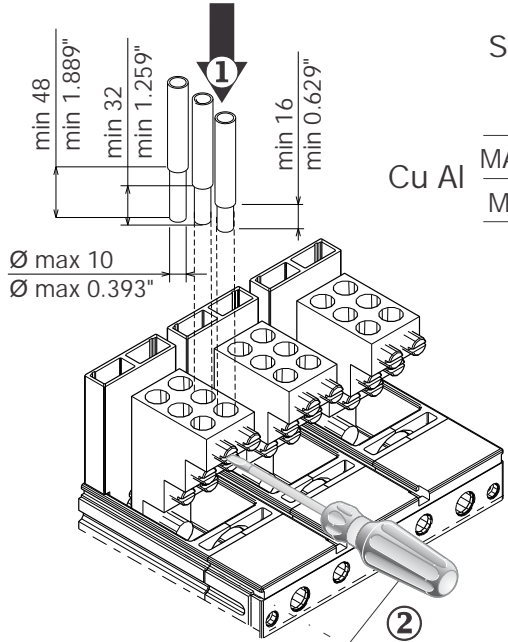
T5  


③  88.5 in.lbs. / 10 Nm




F

T5  

STRANDED  
  
 Cu Al  
 MAX 1/0 AWG  
 MIN 14 AWG



	1/0-3 AWG = 50 in.lbs. / 5,7 Nm
	4-6 AWG = 45 in.lbs. / 5 Nm
	8 AWG = 40 in.lbs. / 4,5 Nm
	10-14 AWG = 35 in.lbs. / 4 Nm

