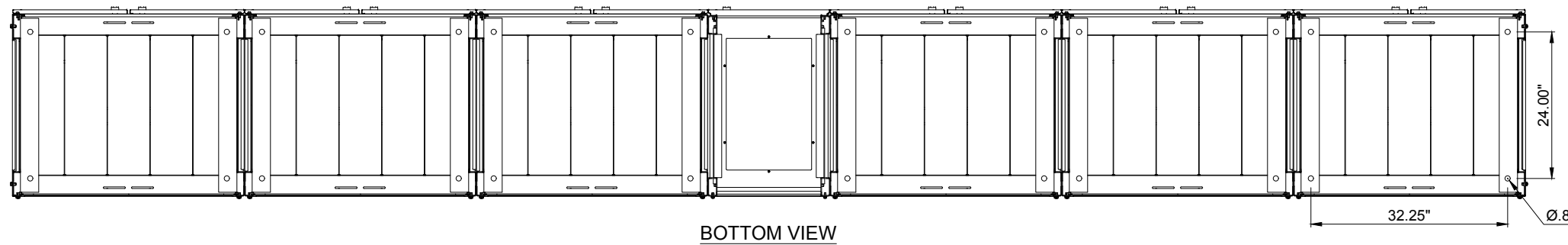
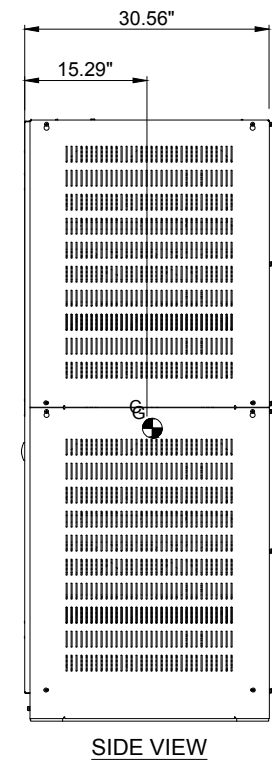
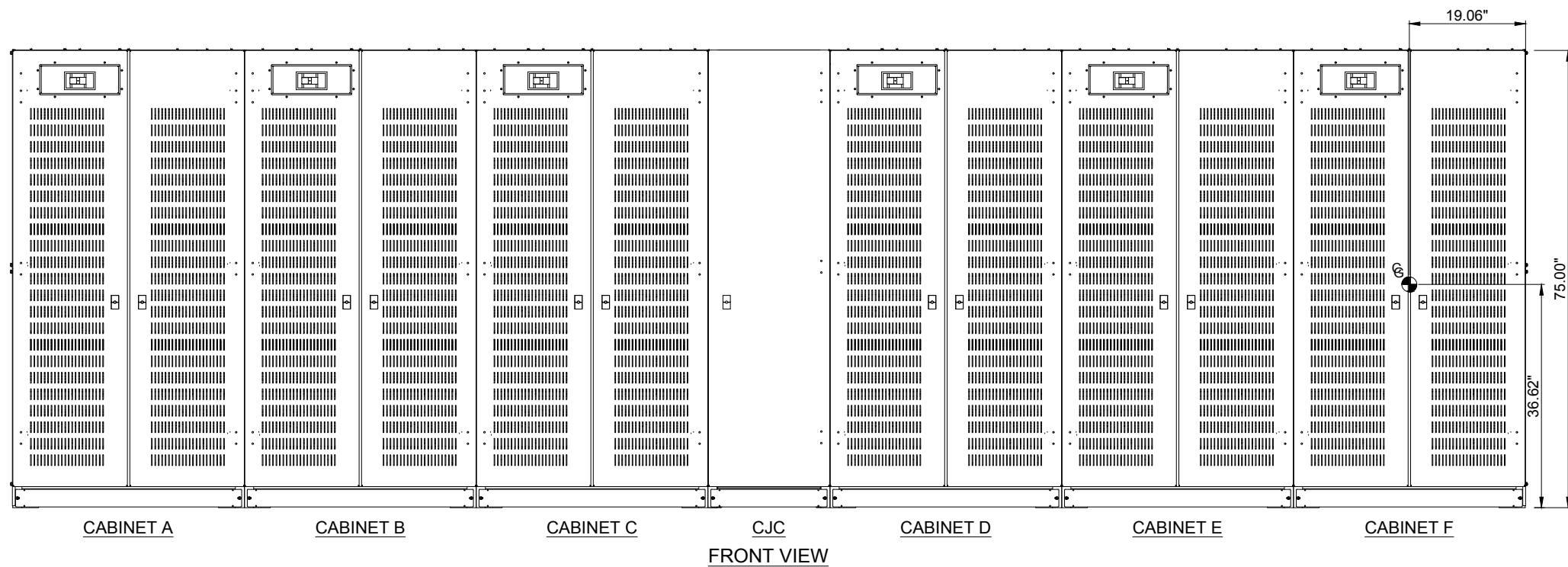
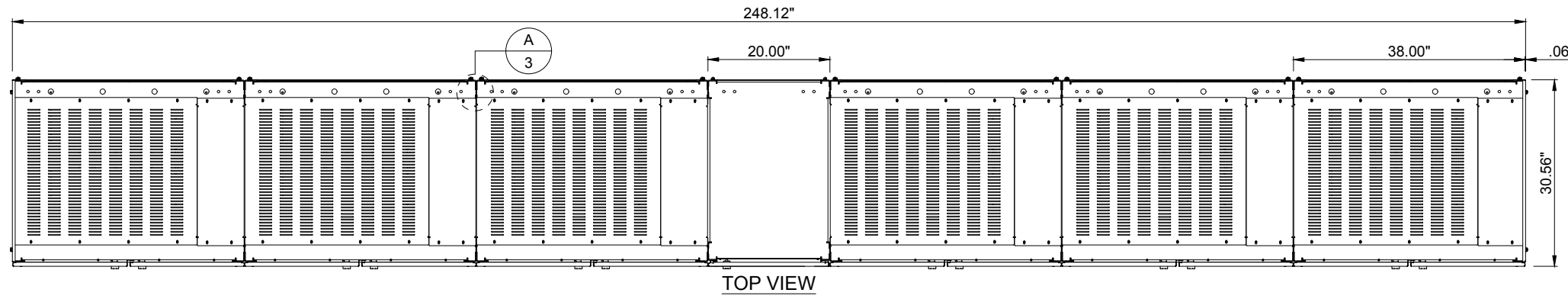


**CAUTION: HIGH VOLTAGE, RISK OF ELECTRICAL SHOCK**

- FOLLOW ALL SAFETY PRECAUTIONS WHEN WORKING ON THIS SYSTEM
- ALWAYS WEAR PROPER SAFETY EQUIPMENT INCLUDING EYE PROTECTION



DRAWING CONFIGURATION CODE	UPS RATING			
	625kVA		750kVA	
	BREAKER	WIRE	BREAKER	WIRE
313	300A	1 x 2/0	400A	1 x 4/0

THE INFORMATION CONTAINED IN THIS DRAWING IS THE SOLE PROPERTY OF INTRAPACK INDUSTRIES INC. ANY REPRODUCTION IN PART OR WHOLE WITHOUT THE WRITTEN PERMISSION OF INTRAPACK INDUSTRIES INC. IS PROHIBITED.

NO.	DATE	REVISION DESCRIPTION

  
 DESIGNED AND MANUFACTURED BY INTRAPACK FOR  
 ABB © INTRAPACK 2021

SYSTEM WEIGHT: 4,050 lbs NO BATTERIES			
JOB NO.	N/A	DATE:	03/04/2021
QUOTE NO.	N/A	DRAWN BY:	VZ
SCALE:	N.T.S.	APPR. BY:	

ADJACENT REMOTE TOP TERMINAL BATTERY  
 CABINET SYSTEM - CONFIG #313  
 DRAWING NO.  
 TLE5-24012V-480-6-6D300-400-AR-CJC-CONFIG#313

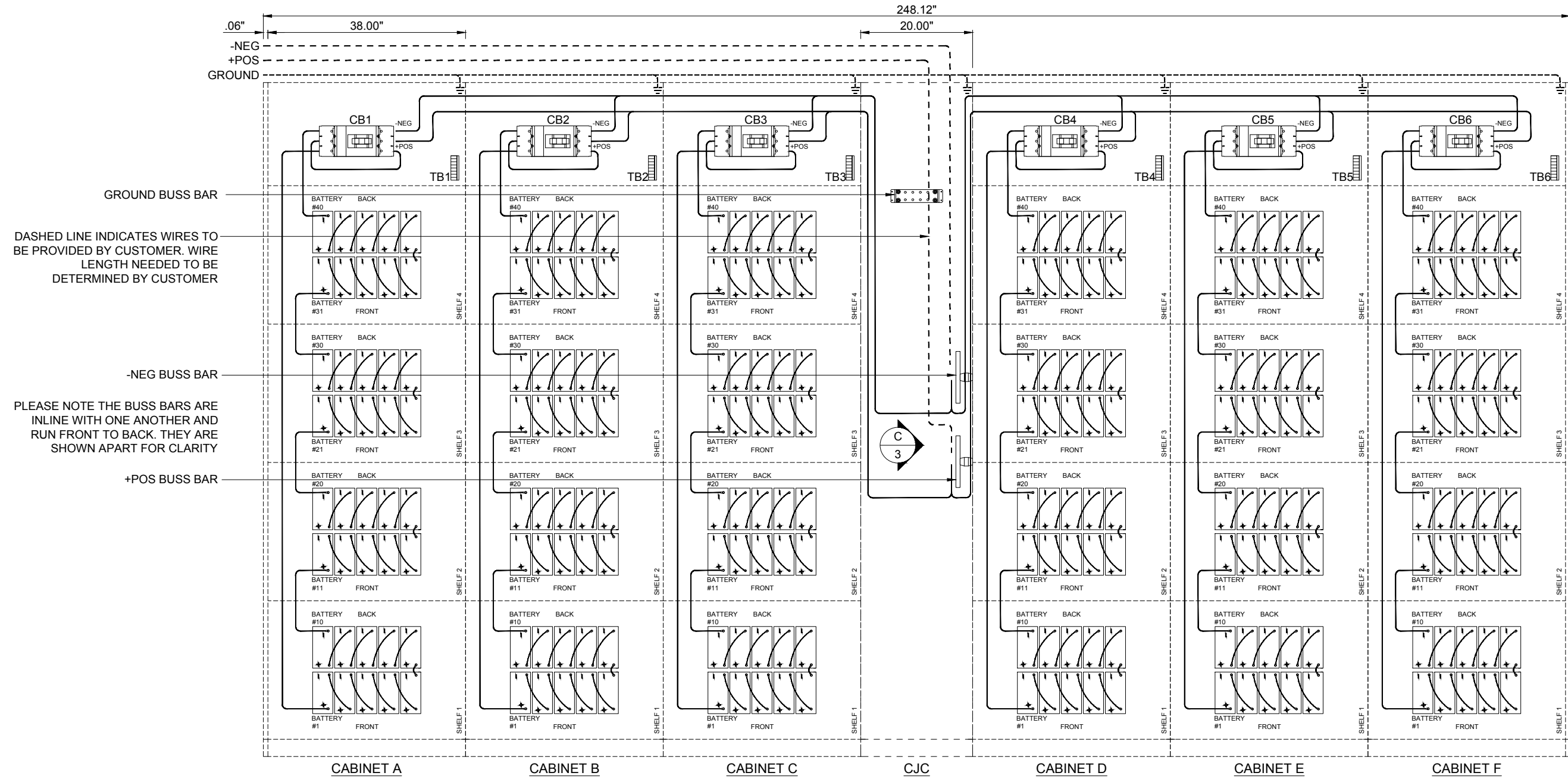
POSITIONING OF COMPONENTS ARE FOR ILLUSTRATION PURPOSES AND MAY NOT BE REPRESENTED IN THE EXACT LOCATION INDICATED.

**CAUTION: HIGH VOLTAGE, RISK OF ELECTRICAL SHOCK**

- FOLLOW ALL SAFETY PRECAUTIONS WHEN WORKING ON THIS SYSTEM
- ALWAYS WEAR PROPER SAFETY EQUIPMENT INCLUDING EYE PROTECTION

**GENERAL NOTES:**

- ONLY QUALIFIED TECHNICIANS SHOULD PERFORM INSTALLATION OR MAINTENANCE OF THIS BATTERY SYSTEM.
- ALL TOOLS SHOULD BE INSULATED TO PREVENT ELECTRICAL SHOCK.
- OPEN DISCONNECTS BEFORE INSTALLATION OR MAINTENANCE.
- CHECK DC VOLTAGE AT BATTERY OUTPUT AND UPS OUTPUT TO ENSURE PROPER POLARITY BEFORE MAKING FINAL CONNECTIONS.



ELECTRICAL ILLUSTRATION

THE INFORMATION CONTAINED IN THIS DRAWING IS THE SOLE PROPERTY OF INTRAPACK INDUSTRIES INC. ANY REPRODUCTION IN PART OR WHOLE WITHOUT THE WRITTEN PERMISSION OF INTRAPACK INDUSTRIES INC. IS PROHIBITED.

NO.	DATE	REVISION DESCRIPTION

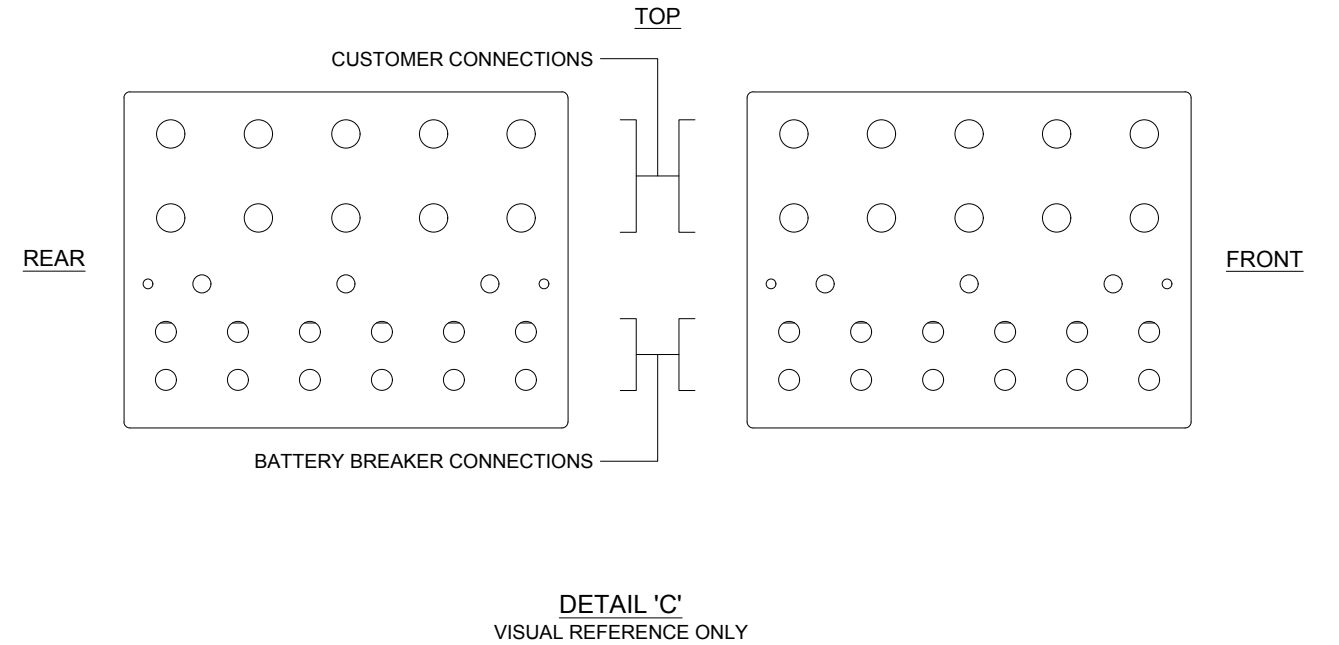
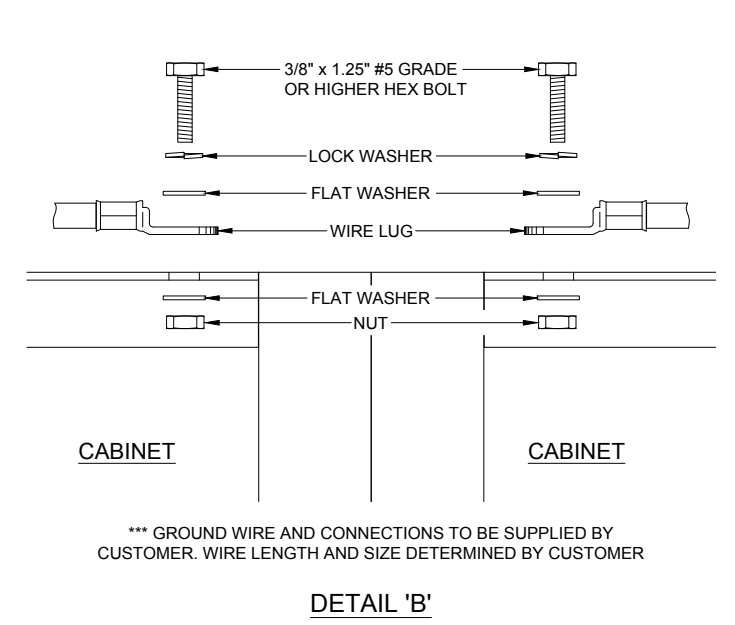
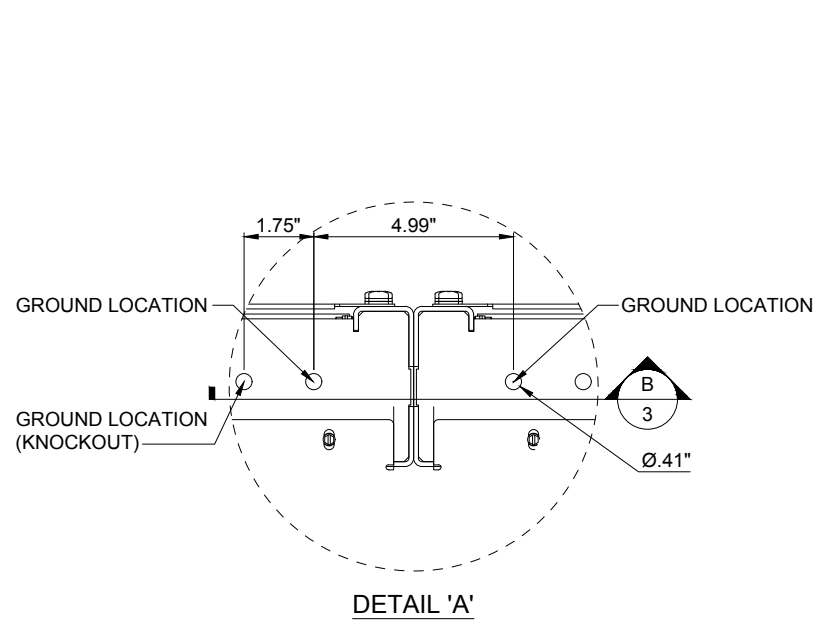
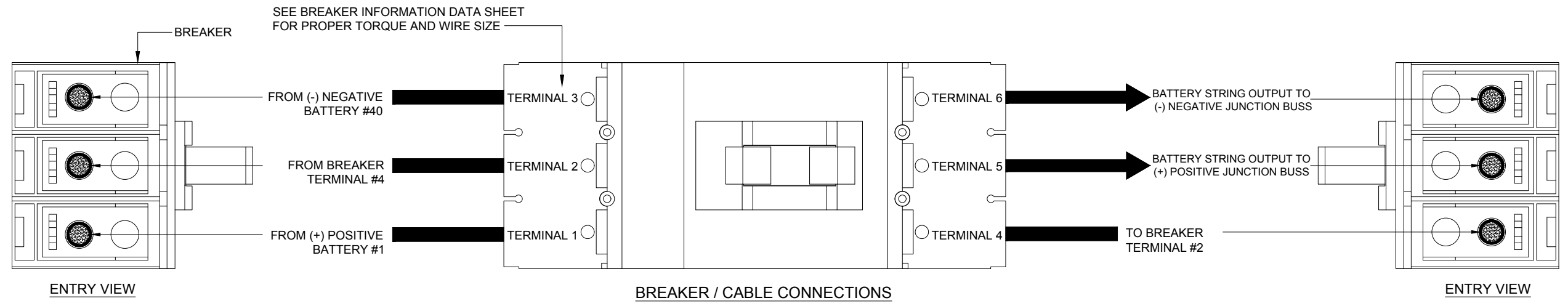
**ABB**  
 DESIGNED AND MANUFACTURED BY INTRAPACK FOR  
 ABB © INTRAPACK 2021

SYSTEM WEIGHT: 4,050 lbs NO BATTERIES			
JOB NO.	N/A	DATE:	03/04/2021
QUOTE NO.	N/A	DRAWN BY:	VZ
SCALE:	N.T.S.	APPR. BY:	

ADJACENT REMOTE TOP TERMINAL BATTERY  
 CABINET SYSTEM - CONFIG #313  
 DRAWING NO.  
 TLE5-24012V-480-6-6D300-400-AR-CJC-CONFIG#313

**CAUTION: HIGH VOLTAGE, RISK OF ELECTRICAL SHOCK**

- FOLLOW ALL SAFETY PRECAUTIONS WHEN WORKING ON THIS SYSTEM
- ALWAYS WEAR PROPER SAFETY EQUIPMENT INCLUDING EYE PROTECTION



THE INFORMATION CONTAINED IN THIS DRAWING IS THE SOLE PROPERTY OF INTRAPACK INDUSTRIES INC. ANY REPRODUCTION IN PART OR WHOLE WITHOUT THE WRITTEN PERMISSION OF INTRAPACK INDUSTRIES INC. IS PROHIBITED.

NO.	DATE	REVISION DESCRIPTION

DESIGNED AND MANUFACTURED BY INTRAPACK FOR  
ABB © INTRAPACK 2021

SYSTEM WEIGHT: 4,050 lbs NO BATTERIES			
JOB NO.	N/A	DATE:	03/04/2021
QUOTE NO.	N/A	DRAWN BY:	VZ
SCALE:	N.T.S.	APPR. BY:	

ADJACENT REMOTE TOP TERMINAL BATTERY  
CABINET SYSTEM - CONFIG #313

DRAWING NO.  
TLE5-24012V-480-6-6D300-400-AR-CJC-CONFIG#313

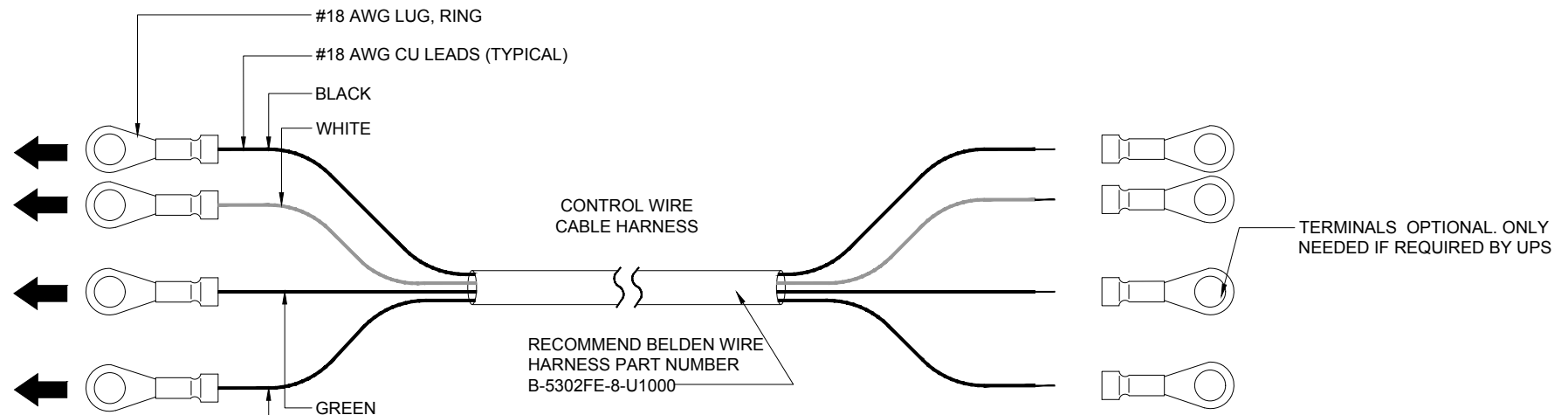
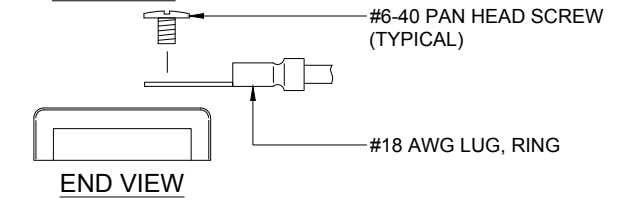
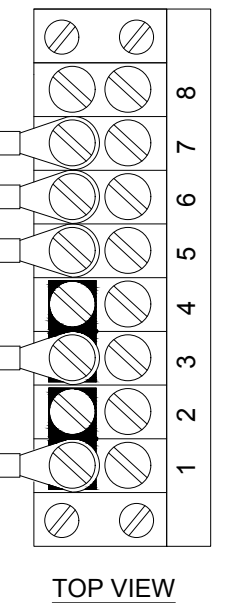
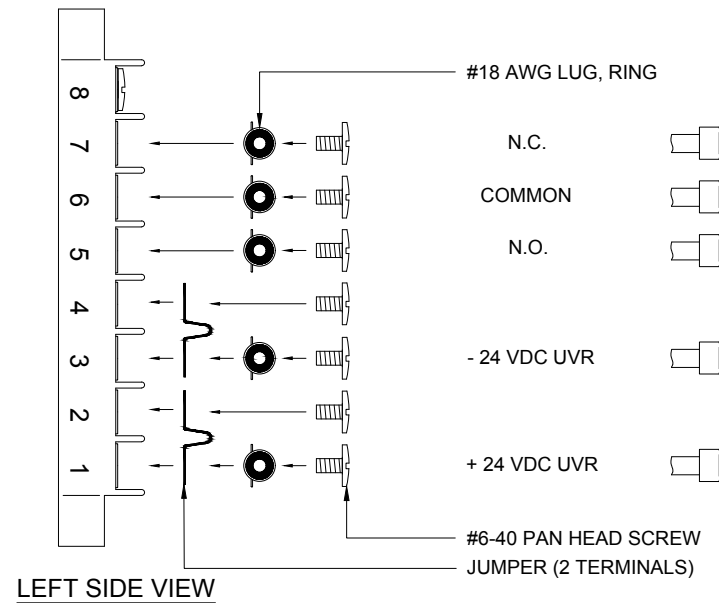
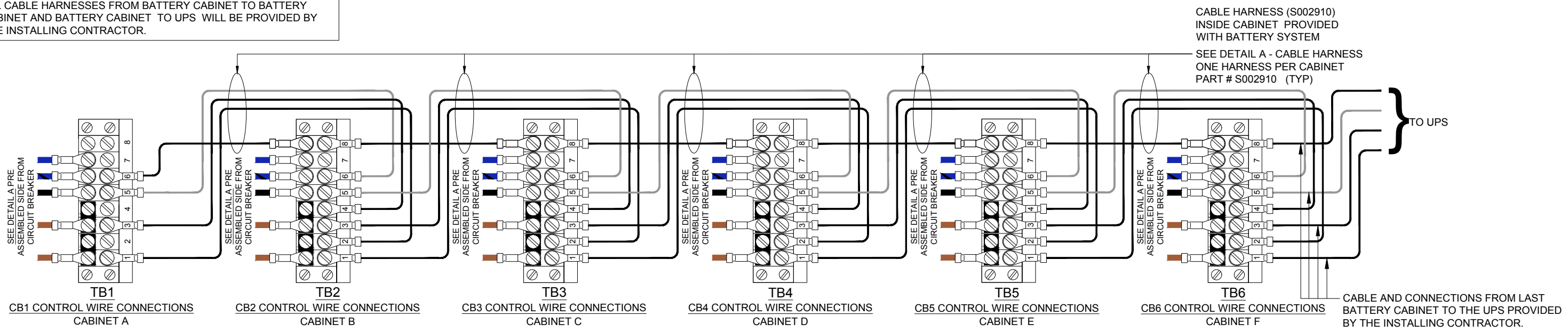
**3**  
OF  
**4**

**CONTROL WIRING ROUTING**

**ADJACENT BATTERY CABINET SYSTEM:**  
 ALL CABLE HARNESSES ARE PROVIDED IN BOTH THE BATTERY CABINET TO BATTERY CABINET CONNECTION INCLUDING THE BATTERY CABINET CABLE HARNESS TO THE UPS.

**ADJACENT REMOTE BATTERY CABINET SYSTEM:**  
 ALL CABLE HARNESSES FROM BATTERY CABINET TO BATTERY CABINET WILL BE PROVIDED. THE BATTERY CABINET TO UPS CABLE HARNESS WILL BE PROVIDED BY THE INSTALLING CONTRACTOR.

**REMOTE BATTERY CABINET SYSTEM:**  
 ALL CABLE HARNESSES FROM BATTERY CABINET TO BATTERY CABINET AND BATTERY CABINET TO UPS WILL BE PROVIDED BY THE INSTALLING CONTRACTOR.



**NOTE**  
 ALL CONTROL CONNECTIONS ARE MADE BY ONSITE INSTALLATION CONTRACTOR (TYPICAL)

THE INFORMATION CONTAINED IN THIS DRAWING IS THE SOLE PROPERTY OF INTRAPACK INDUSTRIES INC. ANY REPRODUCTION IN PART OR WHOLE WITHOUT THE WRITTEN PERMISSION OF INTRAPACK INDUSTRIES INC. IS PROHIBITED.												
NO.	DATE	REVISION DESCRIPTION										
<p>DESIGNED AND MANUFACTURED BY INTRAPACK FOR                  ABB © INTRAPACK 2021</p>				SYSTEM WEIGHT: 4,050 lbs NO BATTERIES			ADJACENT REMOTE TOP TERMINAL BATTERY CABINET SYSTEM - CONFIG #313			4 OF 4		
				JOB NO.	N/A	DATE:	03/04/2021		DRAWING NO.			
				QUOTE NO.	N/A	DRAWN BY:	VZ		TLE5-24012V-480-6-6D300-400-AR-CJC-CONFIG#313			
SCALE:	N.T.S.		APPR. BY:									