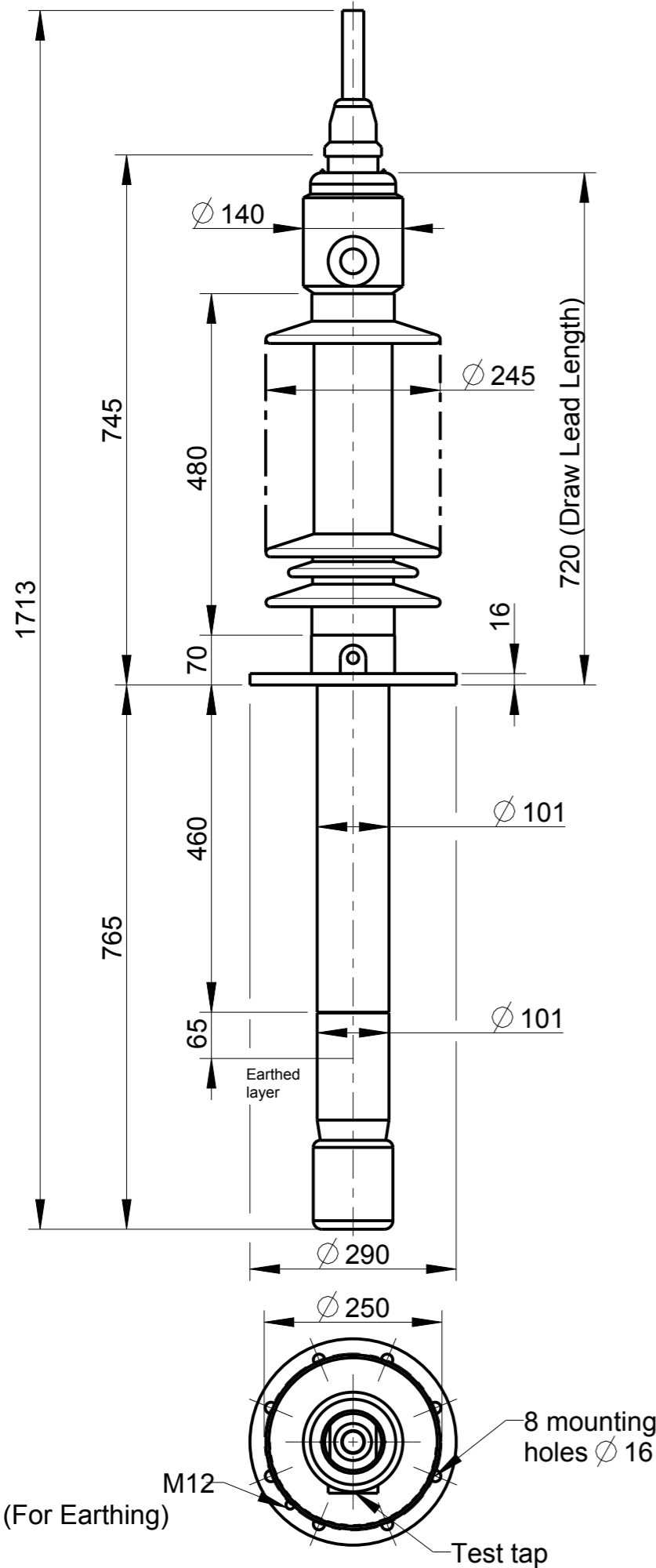
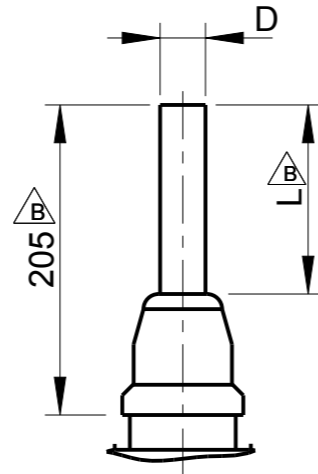


This document is issued by means of a computerized system. The digitally stored original is electronically approved. The approved document has a date entered in the 'Approved'-field. A manual signature is not required.

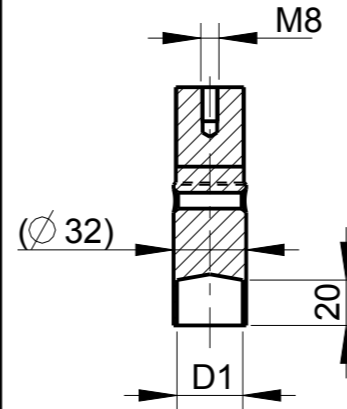
The information contained in this document has to be kept strictly confidential. Any unauthorized use, reproduction, distribution or disclosure to third parties are strictly forbidden. ABB reserves all rights regarding Intellectual Property Rights. © Copyright 2013 ABB. All rights reserved.



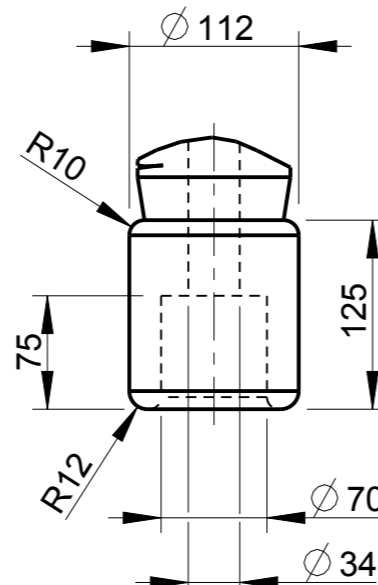
**OUTER TERMINAL**



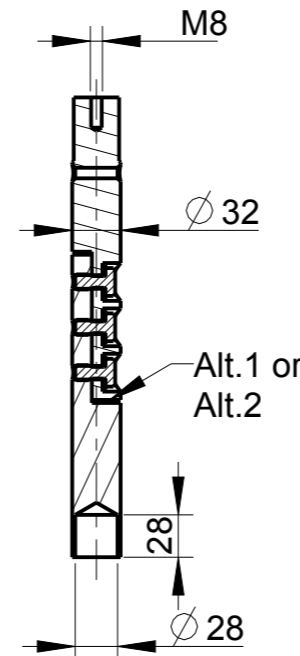
**INNER TERMINAL FOR STRANDED CABLE**



**END SHIELD**



**SOLID ROD CONNECTOR**



The solid rod can be divided either:  
 Alt.1: 20mm below the bushing flange or  
 Alt.2: 20mm below the upper end of the bottom porcelain

**Bushing Data:**

Rated Voltage	52	kV
Phase to Ground Voltage	52	kV
Dry Lightning Impulse 1,2/50µs	250	kV
Wet power frequency AC	105	kV
Routine test 1min dry 50Hz	120	kV
Rated Current	1250	A
Creepage Distance	1500±50	mm
Creepage Distance Protected	580	mm
Mass	33	kg

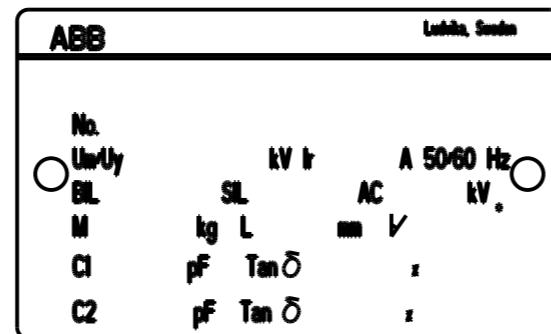
**Ordering Data:**

<b>BUSHING</b>	<b>COLOUR AIR INSULATOR</b>	
LF123169-M	BROWN	
-N	LIGHT GREY $\triangle B$	
<b>OUTER TERMINAL</b>	<b>Material</b>	<b>D L</b>
LF 170 002-B	Cu Alloy	Ø 30 125
LF 170 001-B	Al	Ø 30 125
OTHER TYPES ON REQUEST		
<b>INNER TERMINAL FOR STRANDED CABLE</b>	<b>Conductor area</b>	<b>D1</b>
For brazing	up to 285mm <sup>2</sup>	Ø 29
LF 170 011-T	Undrilled with pilot hole	Ø 5
LF 170 011-V		
<b>SOLID ROD CONNECTOR</b>	<b>Material</b>	
LF 170 052 -BG for Alt.1	Cu	
LF 170 052 -BE for Alt.2	Cu	
<b>TERMINAL PLATE</b>	<b>Material</b>	
LF 170 014-A	Aluminium	
LF 170 021-A	Nickel-Plated Copper	

**Note:**

Mounting inclination 0-45°.

$\triangle B$  For inclined and horizontal mounting, see Installation and Maintenance Guide.



Prepared	iladmin	2008-04-30	Responsible department	PPCO/BK	Title	GOB 250-1250-0.5		
Modified by	Palpandi K	2013-04-26	Take over department		Language			82
Approved by	Niklas Olsson	2013-05-08	Used in product		Order			1
Revision	B	Note added & dim change for out terminal			Document no.	2751369-180	No. Shits.	(1)