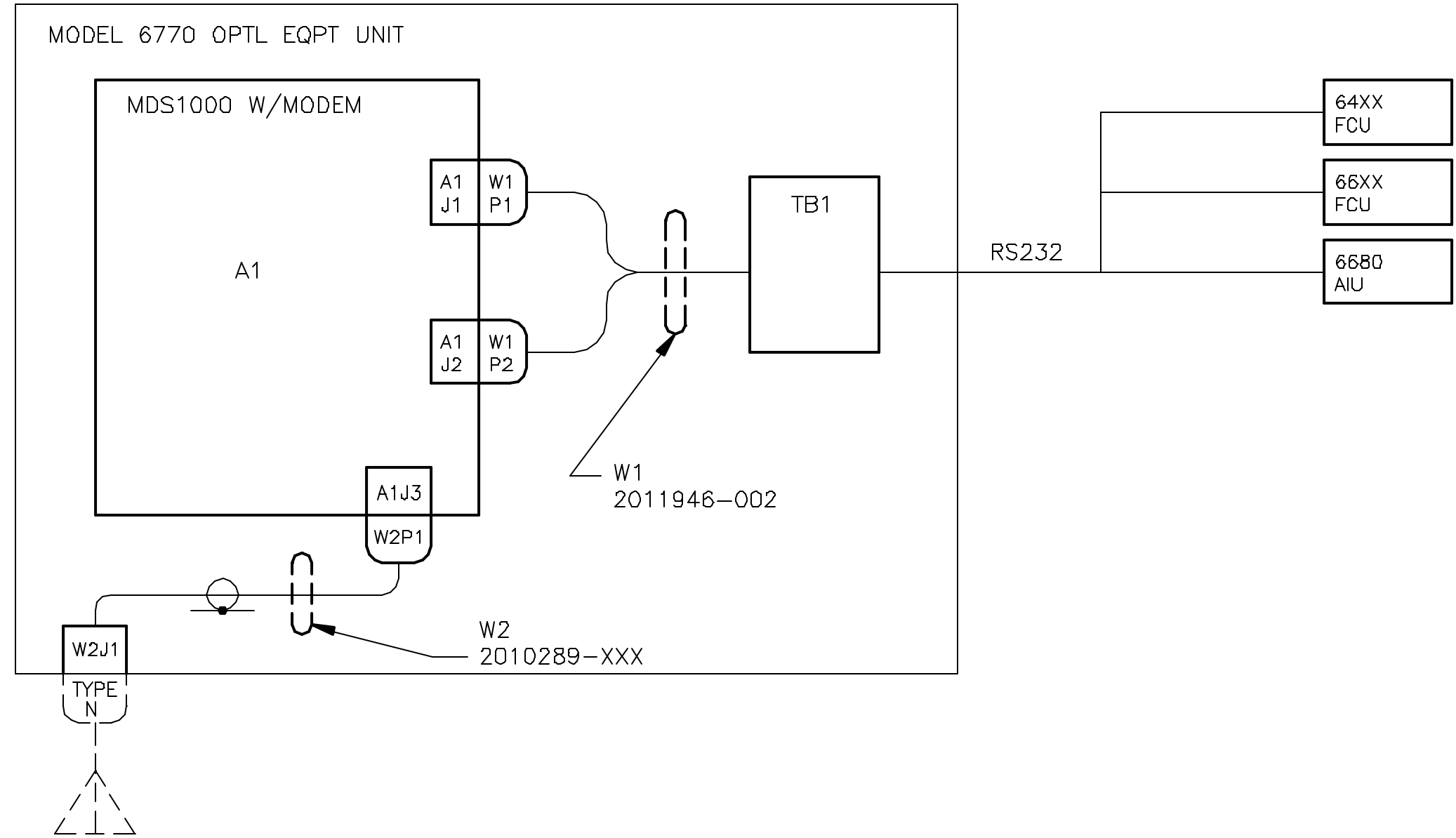


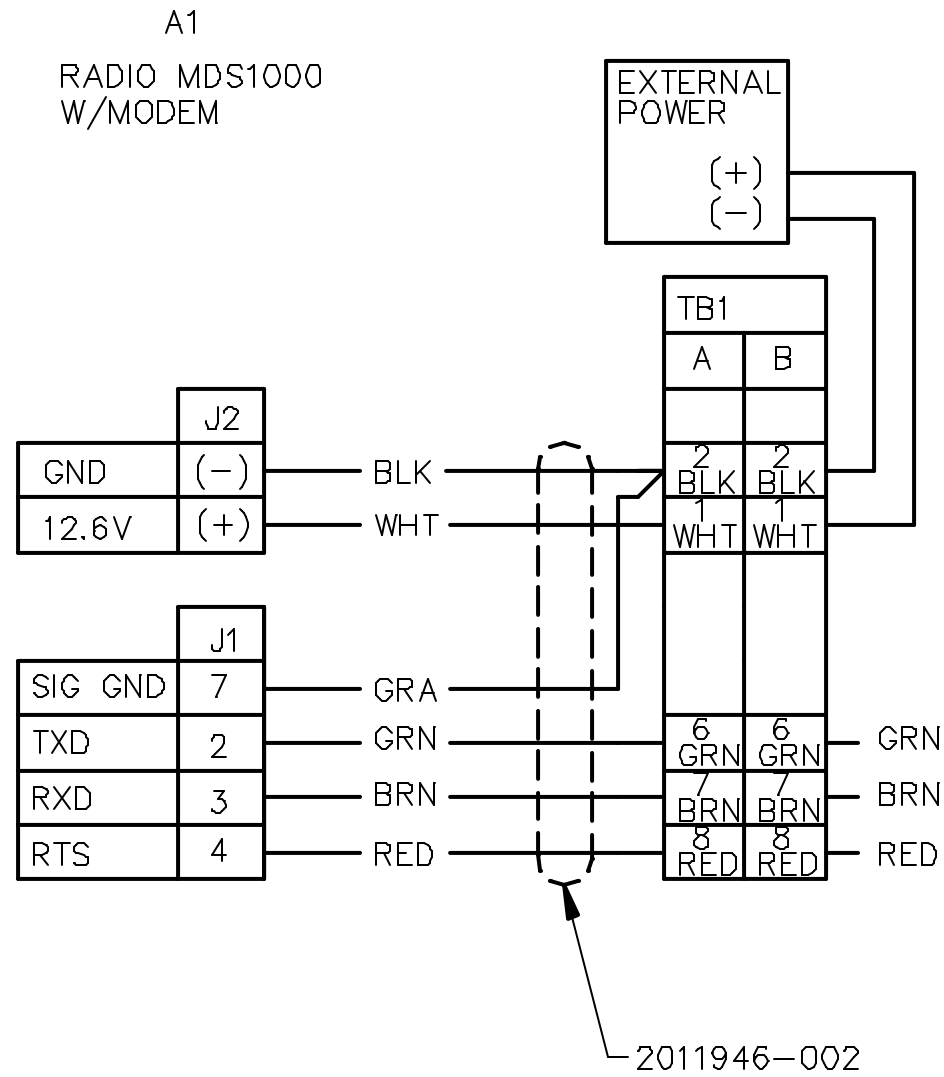
REVISIONS					
REV	ACTION	DRAWN	CHECKED	APPROVED	DATE
AA	L5160	KASTNER	KASTNER	HOLLAND	98/02/16
AB	D12488	KASTNER	KASTNER	HOLLAND	01/12/18



ASSEMBLY/QUANTITY	ITEM NO.	PART NUMBER	DESCRIPTION	REF/ZONE DESIG MATERIAL	UNIT MEAS
PARTS LIST					
DO NOT SCALE DRAWING		UNLESS OTHERWISE SPECIFIED DIMENSIONS ARE IN INCHES		TOTALFLOW® LEVEL 3 ABB TOTALFLOW Products	
THIRD ANGLE PROJECTION		TOLERANCES ARE:		TITLE	
		DECIMAL ANGULAR .XX ± ± --- .XXX ± ---		WIRING & INTERCONNECT MDS1000 RADIO W/MODEM IN 6770 WI	
BREAK ALL SHARP CORNERS AND EDGES		DIMENSIONS APPLY BEFORE FINISH		SCALE SIZE DOC TYPE DRAWING NO. REV SHEET NONE B WI 2018190 AB 1 OF 5	

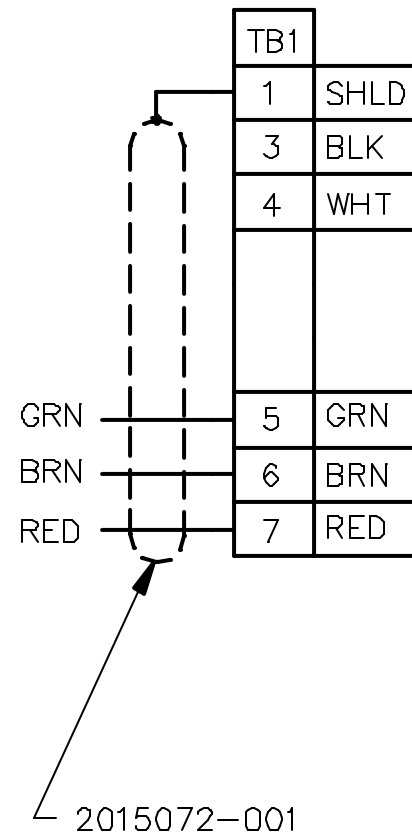
MODEL 6770 OPTL EQPT UNIT

RADIO POWERED FROM EXT POWER SUPPLY

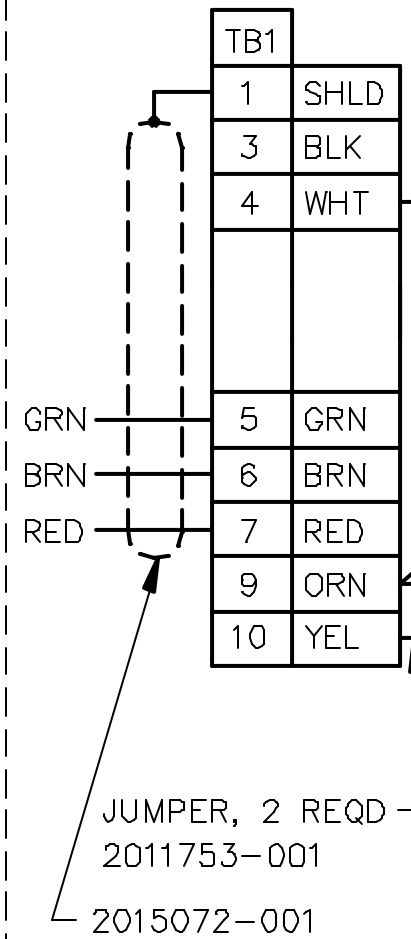


MODEL 6610, 6611, 6612 FCU

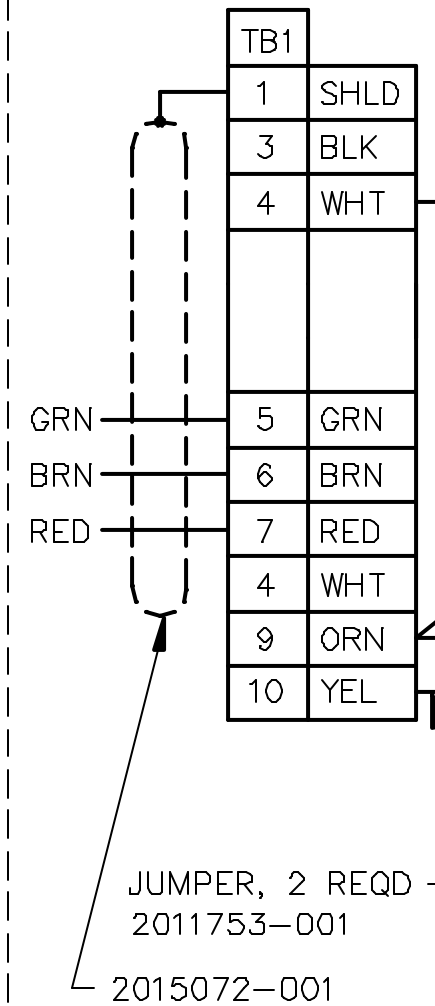
FCU W/COMM
INTERFACE
2000003-001
2012878-001
2015133-001



FCU W/VCI
2010283-002

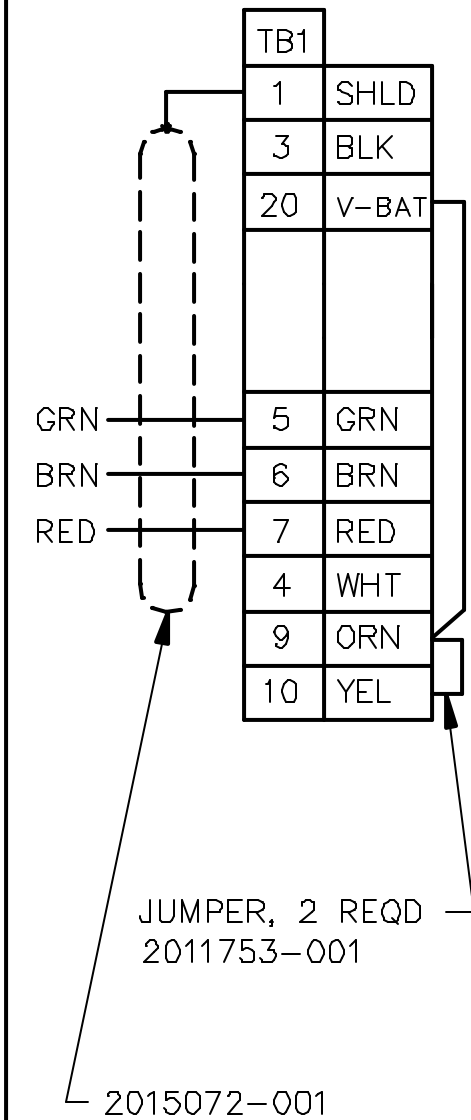


FCU W/EXP I/O
2011690-002
2012901-002/004
2015452-002
2017333-001 W/RS232
COMM MODULE
2017475-001/004/005



MODEL 6680 RTU

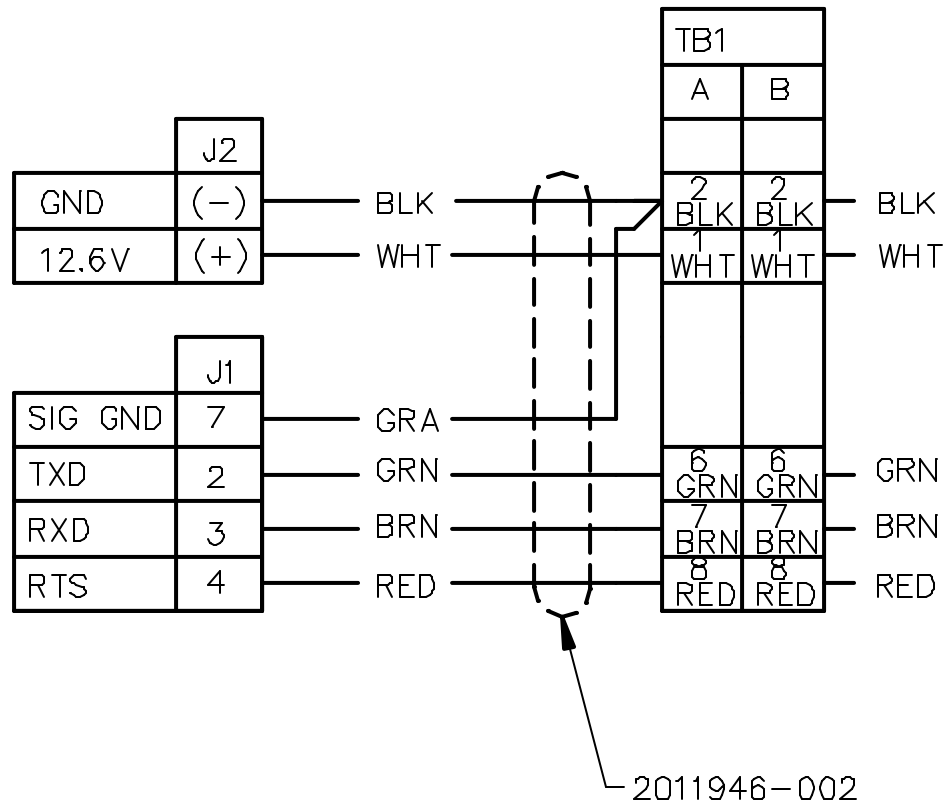
A.I.U.



MODEL 6770 OPTL EQPT UNIT

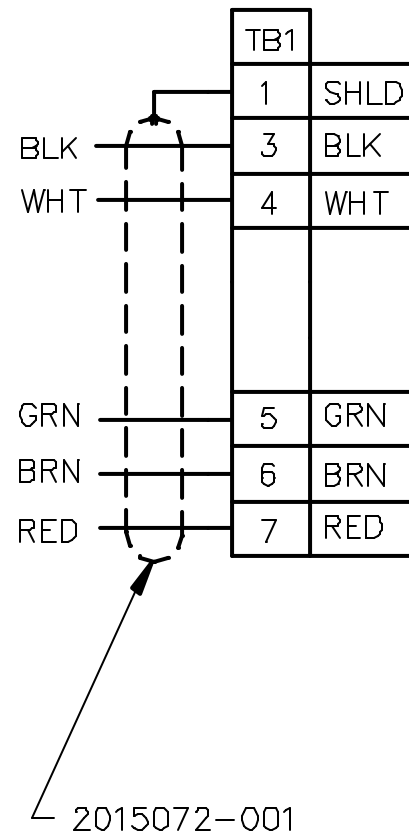
RADIO POWERED FROM FCU

A1
RADIO MDS1000
W/MODEM

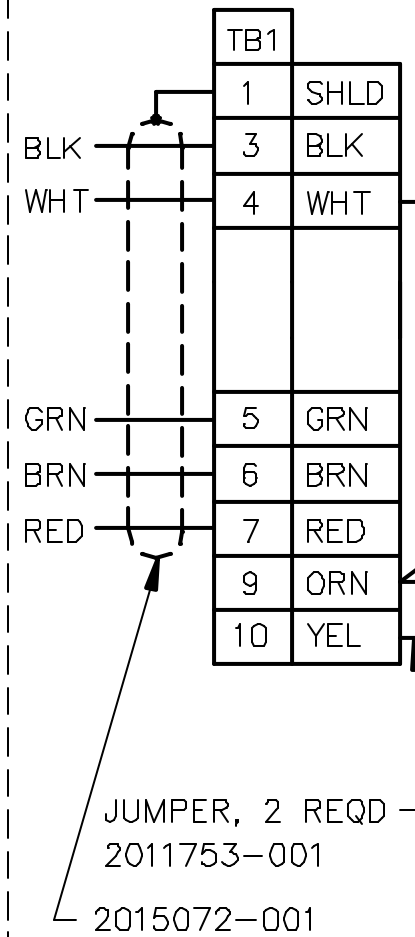


MODEL 6610, 6611, 6612 FCU

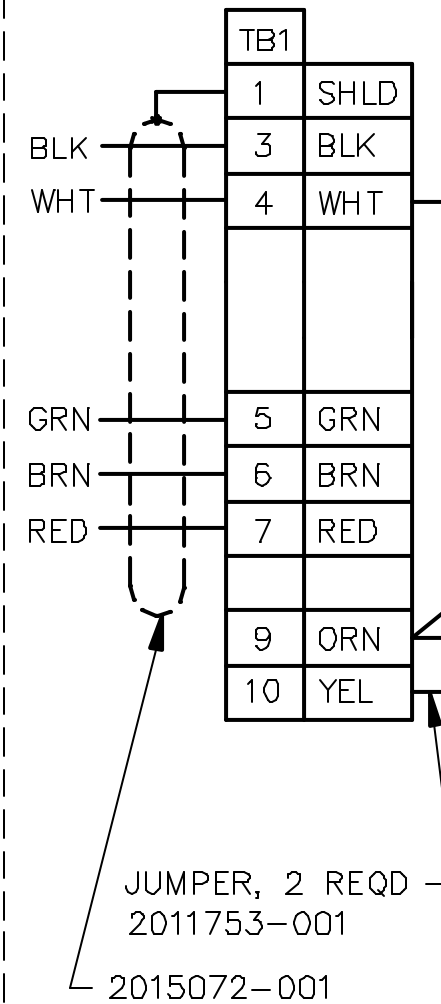
FCU W/COMM
INTERFACE
2000003-001
2012878-001
2015133-001



FCU W/VCI
2010283-002

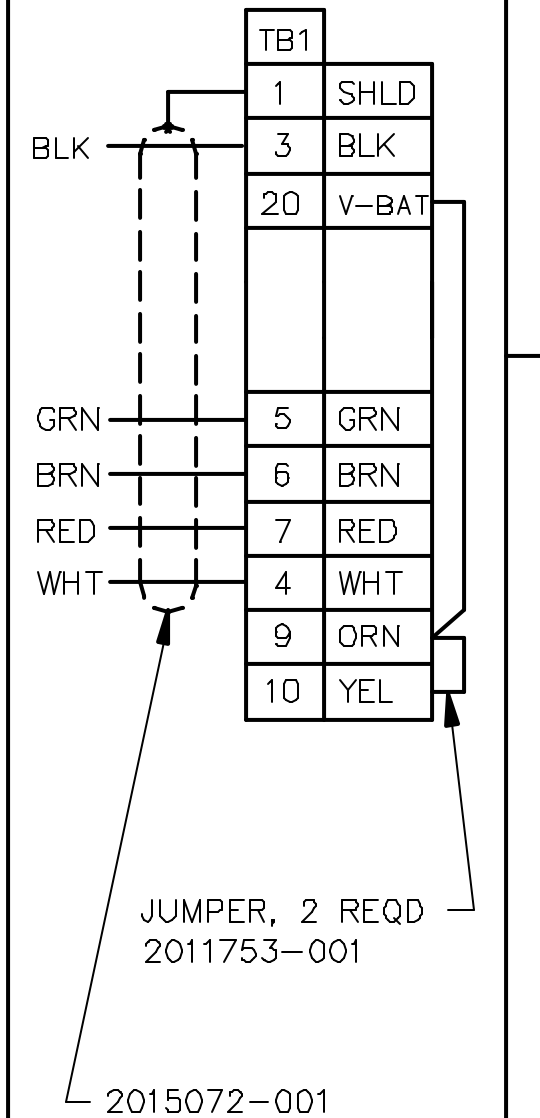


FCU W/EXP I/O
2011690-002
2012901-002/004
2015452-002
2017333-001 W/RS232
COMM MODULE
2017475-001/004/005



MODEL 6680 RTU

A.I.U.

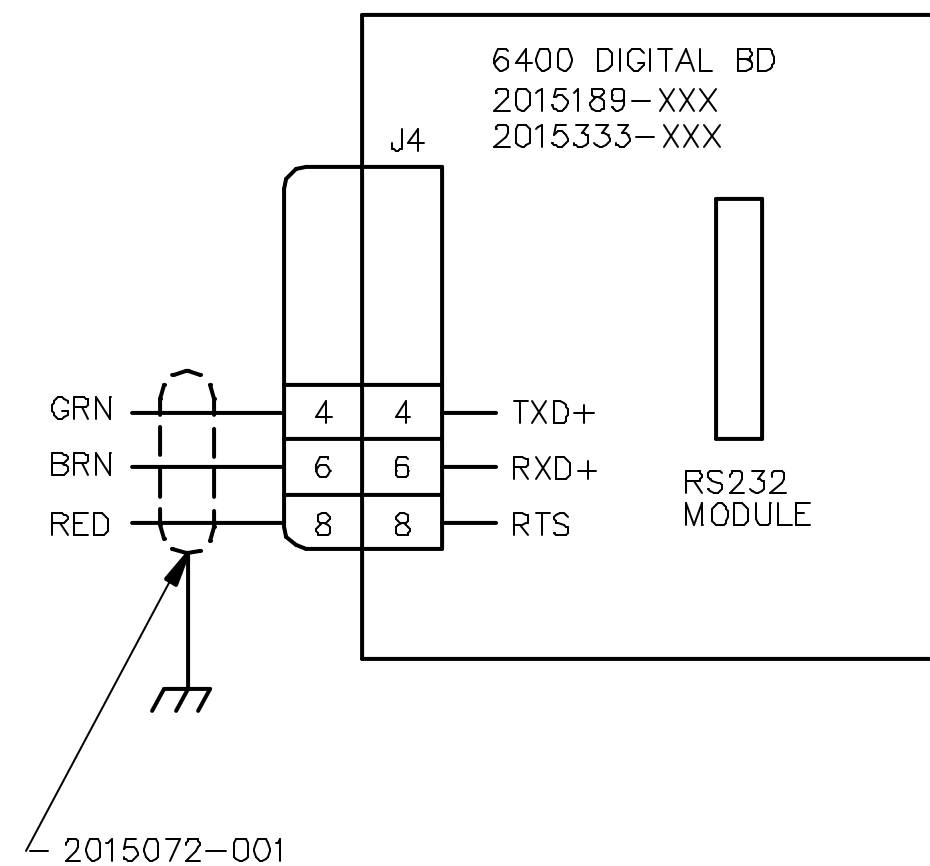
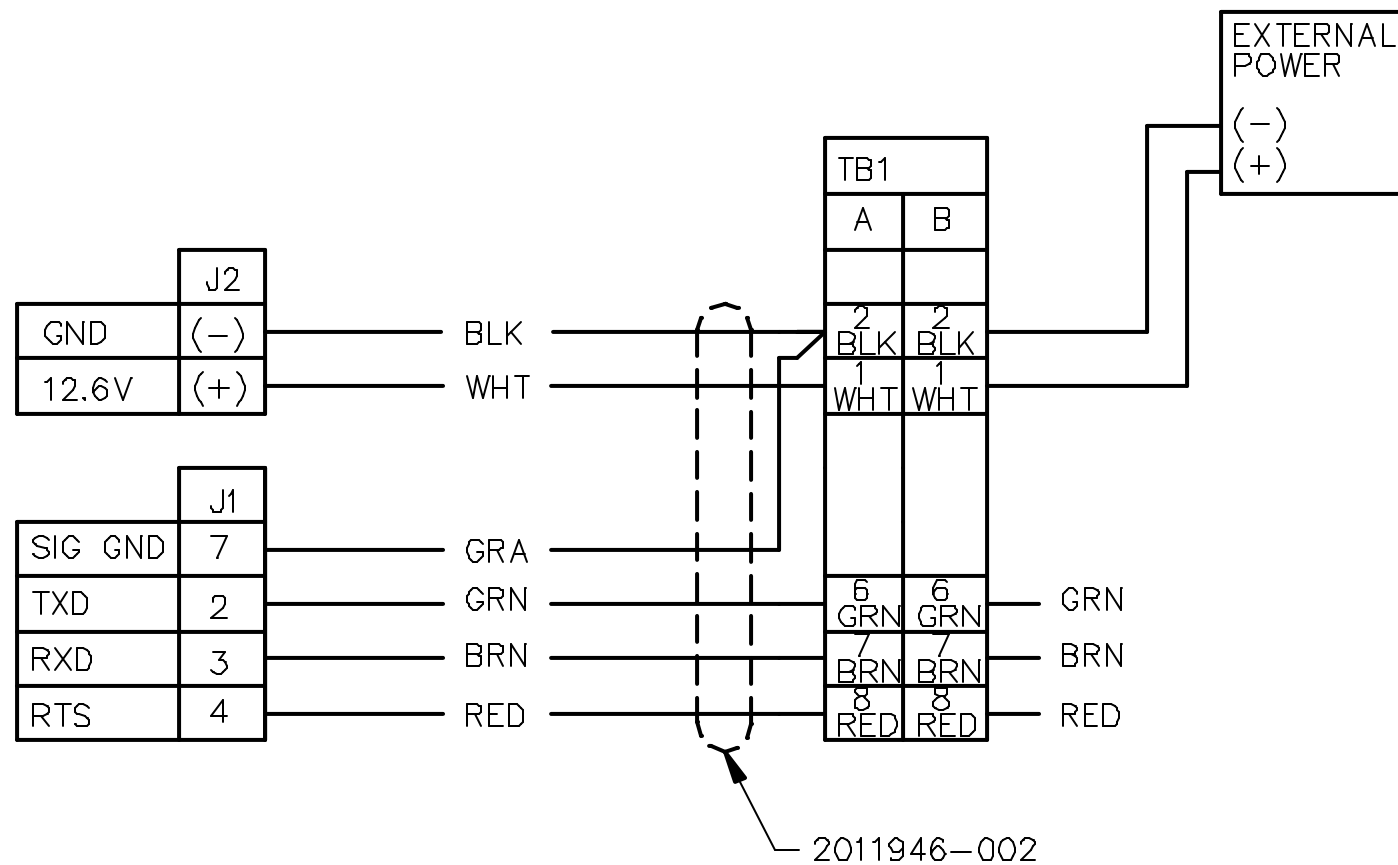


MODEL 6770 OPTL EQPT UNIT

MODEL 6410/6411 FCU

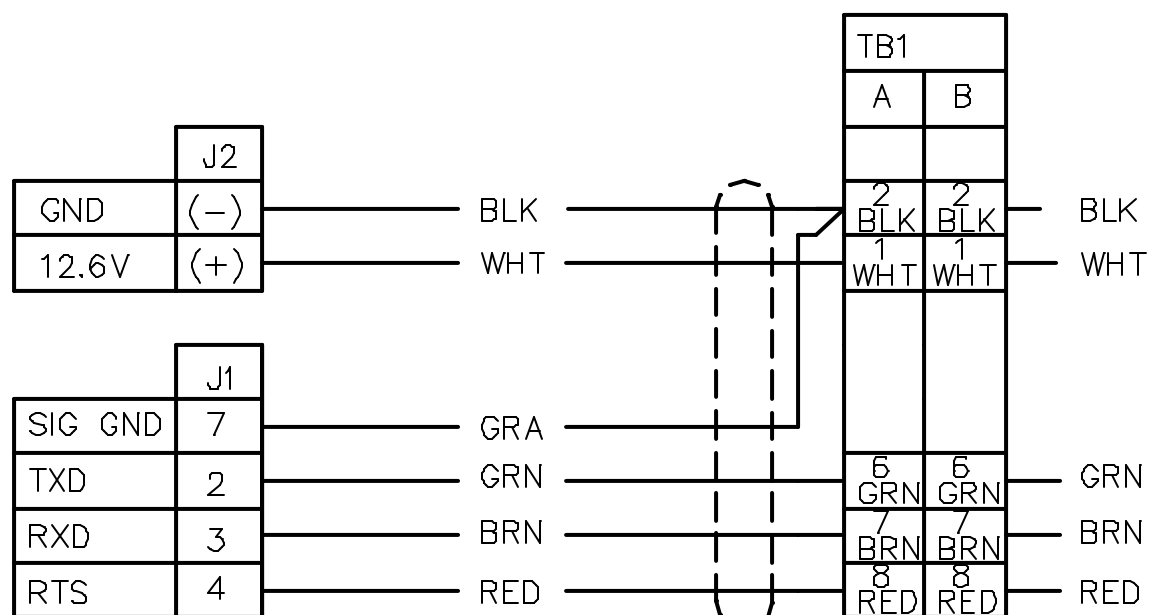
RADIO POWERED FROM EXT POWER SUPPLY

A1
RADIO MDS1000
W/MODEM

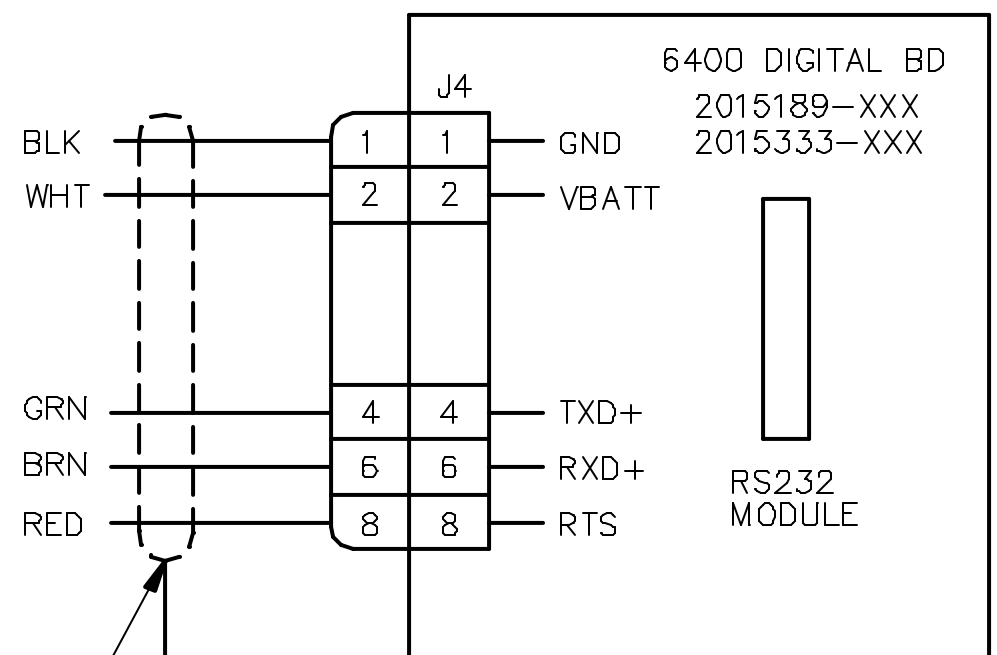


RADIO POWERED FROM FCU

A1
RADIO MDS1000
W/MODEM



2011946-002



2015072-001