

On-load tap-changers, type UBB

Spare parts list

This spare parts list has been compiled to help you with procurement of spares. To obtain trouble-free deliveries you should note a few things which are explained in the following text.

The breakdown level and general contents of this list have been worked out to cover normal customer requests. Our spares sales people will be happy to assist if you require any specific item that is not included in the list.

Type designation and serial number

The rating plate on the on-load tap-changer shows which type and serial number of the device you are ordering spares for. It is important to have this information, because the manufacture of parts gradually changes as materials and manufacturing technology improves. ABB makes every effort to supply spares that should fit your requirements. Some parts of later manufacture than those you are replacing may need some adaptation to fit into your device. Our spare parts sales people need to know the type designation and serial number to supply exactly what you require.

Item number

Item numbers are shown on the drawings and lists. As you will observe, one item number is used for several items of the same general type. These items have a specific specification for each and every variant of on-load tap-changer, hence you need to specify type and serial number in addition to the item number to obtain the appropriate spare.

Name of item

The name should be specified when ordering to make sure the right type of item is ordered.



Quantity

The figures given represent the number of items included in one on-load tap-changer.

Remarks

Information pertinent to different variants of the on-load tap-changer is given in this column. Your model should be one of those shown.

Standard spare parts

The rugged design of ABB on-load tap-changers means that only the fixed and moving contacts of the selector switch might require replacement during the lifetime of the transformer. This spare parts list tells you the part number of the contacts when ordering for your replacement requirements.

Special spare parts

If you need parts other than the contacts in the lists, our staff will be happy to assist you. Please use the illustrations in this list as a reference when discussing your requirements. As usual, the type designation and serial number are essential for ordering.

Spare parts

Standard spare parts, selector switch (fixed and moving contacts)

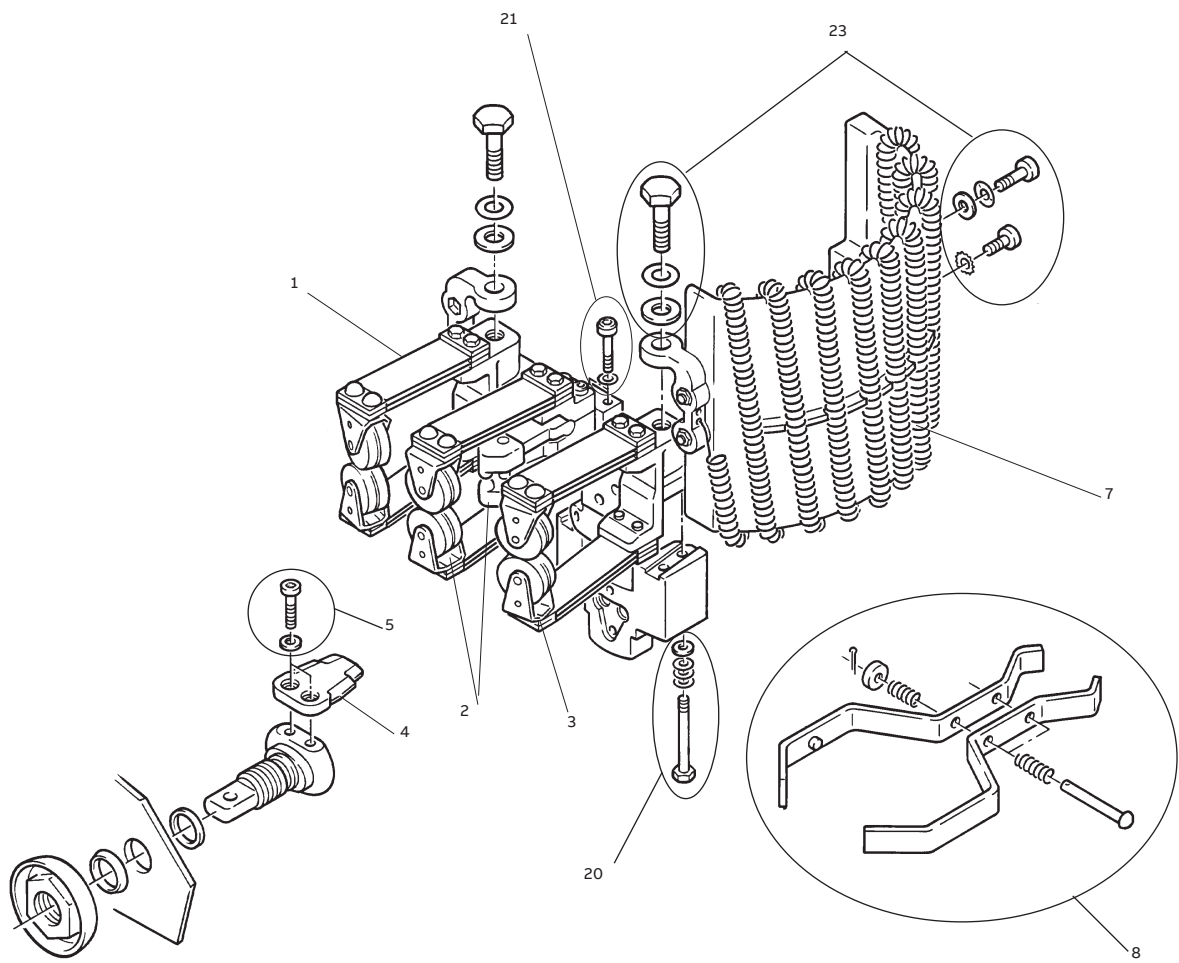
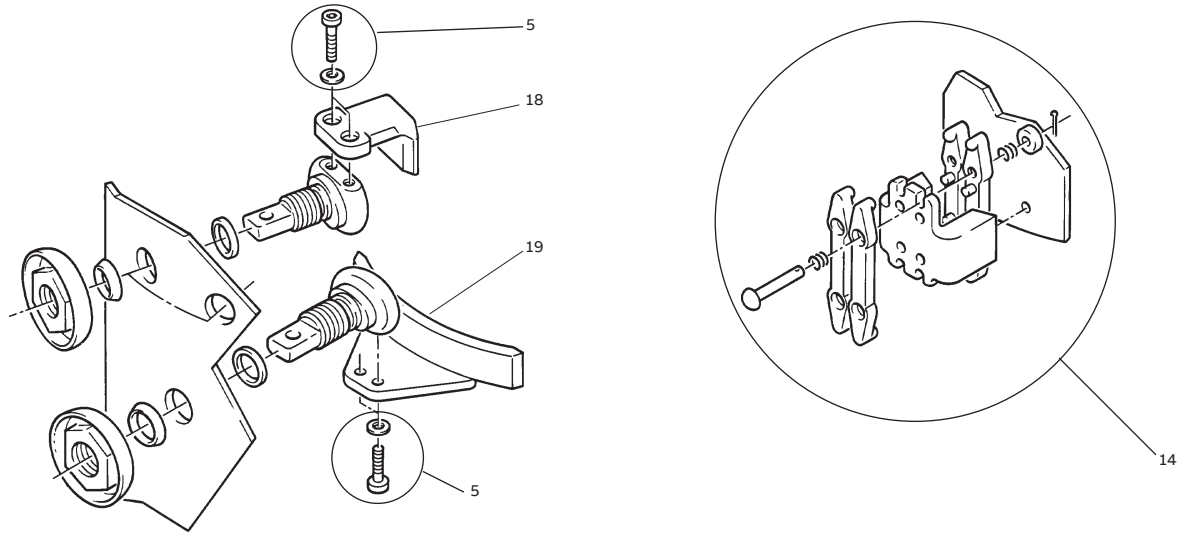
Item No.	Name of item	Quantity	Remarks
1	Transition contact, unit 1	1 per phase	<150A >150A
2	Main contact, unit 2	1 per phase	<150A >150A–400A >400A
3	Transition contact, unit	1 per phase	<150A >150A
4	Fixed contact	Acc. to order	<150A, pitch 10 <150A, pitch 12 <150A, pitch 14 >150A, pitch 10 >150A, pitch 12 >150A, pitch 14
5	Screws and washers	1 set per contact	
20	Screws and washers	1 set per phase	
21	Screws and washers	1 set per phase	
23	Screws and washers	1 set per phase	

Special spare parts, selector switch

Item No.	Name of item	Quantity	Remarks
7	Transition resistor	Acc. to order	To be specified
8	Current collector	1 current collector per UBB.N 3 current collectors per UBB.T	<400 >400

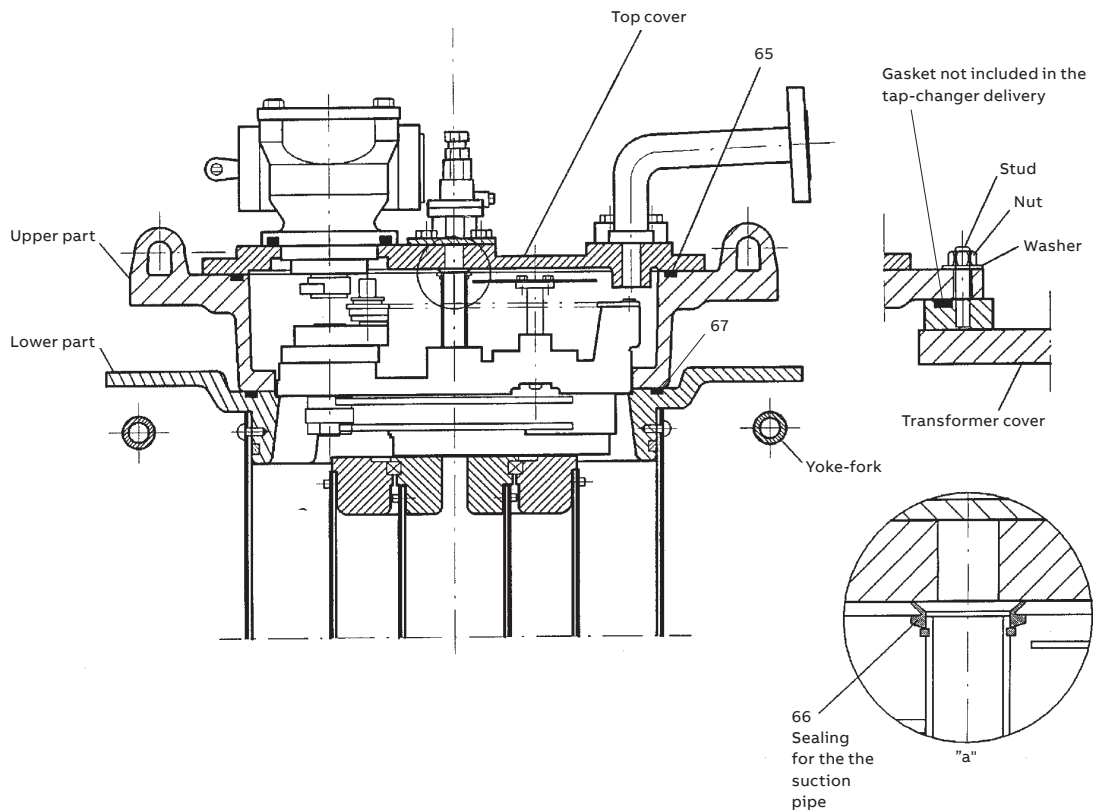
Special spare parts, change-over selector

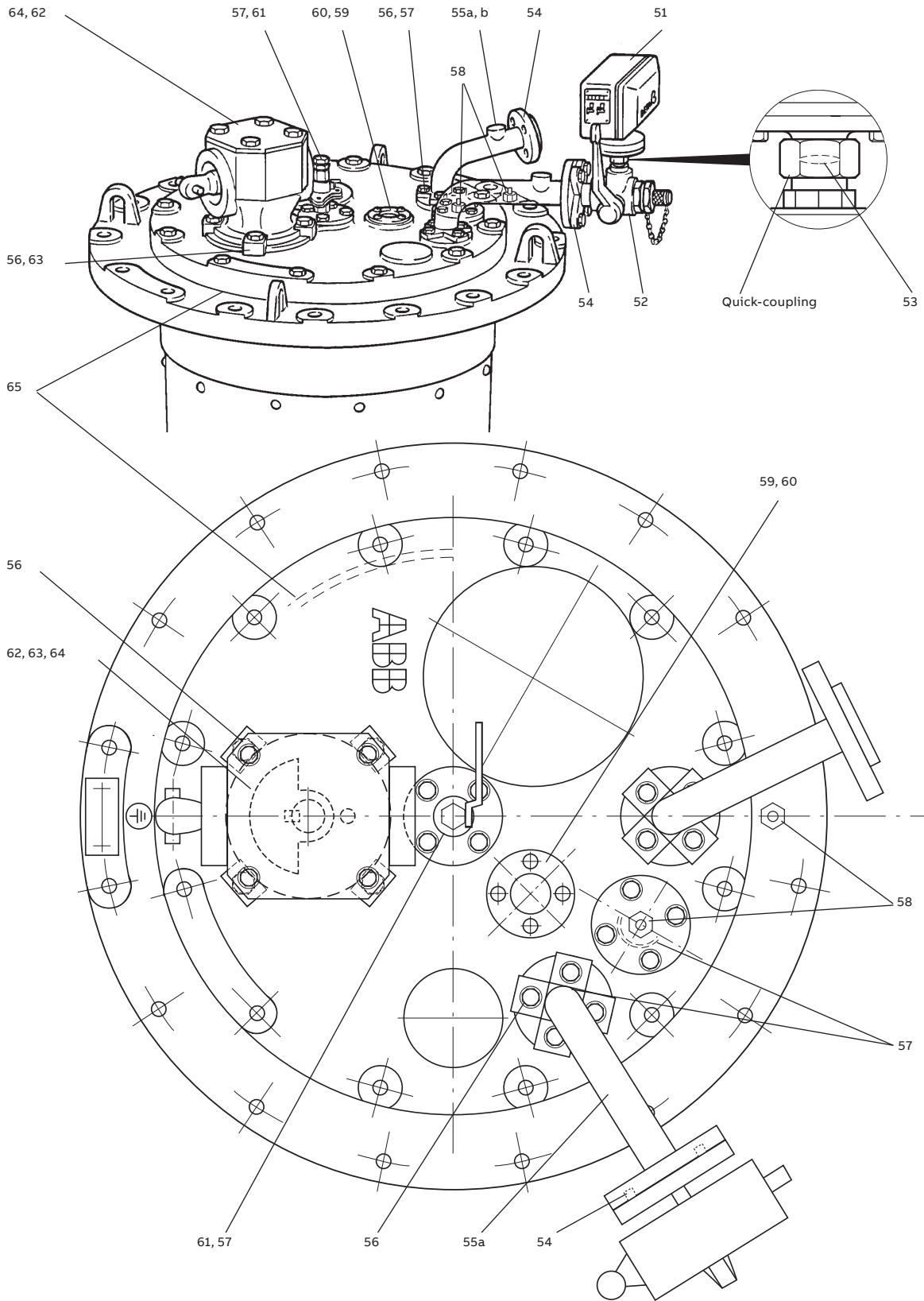
Item No.	Name of item	Quantity	Remarks
14	Moving contact	1 set per phase	
18	Fixed contact	2 per phase	
19	Fixed contact	1 per phase	



Accessories

Item No.	Name of item	Quantity per tap-changer	Remarks
51	Pressure relay incl. item 53	1	
52	Test valve	1	
53	O-ring for 51	1	
54	O-ring for 55a, b	1 per tube bend	
55a	Tube bend without hole for air release valve incl. o-rings, cover, fastening details	2-4	
55b	Tube bend with air release valve incl. o-rings, cover, fastening details	1	When no air release valve in the cover
56	Fastening details for 55 and 62	1 set per item	
57	O-rings for 55 and 61	4	
58	Air release valve	2	
59	Indicator glass incl. o-rings and fastening details	1	
60	O-rings for 59	1 set	
61	Valve R ½" for oil filling	1	
62	Bevel gear	1	
63	O-ring between 62 and tap-changer cover	1	
64	O-ring under bevel gear cover	1	
65	O-ring for the tap-changer cover	1	
66	Sealing for suction pipe	2	
67	O-ring between upper and lower part	1	





—
ABB AB, Components
SE-771 80 Ludvika
Sweden
E-mail: sales@se.abb.com

www.abb.com/transformercomponents

