

Earth Points

High quality, cast-in, non-ferrous earth points, with a range of termination options



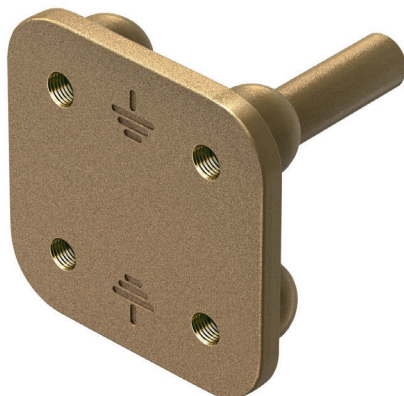
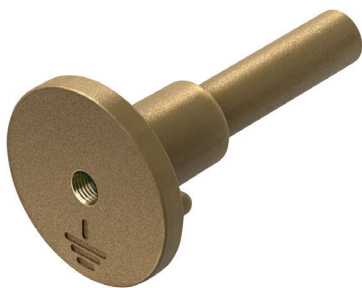
Furse earth points are installed to provide a connection point in reinforced steel concrete structures. When cast into the concrete they connect the steel reinforced bar to the lightning protection or earthing system.

Certifications / Standards:

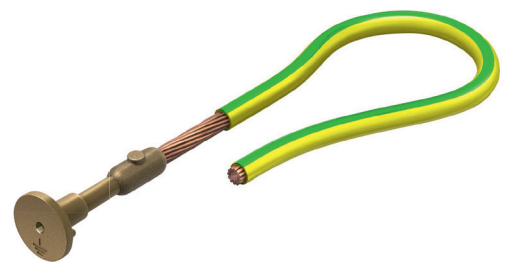
- IEC/BS EN 62561-1 Class H
- BS 7430

Features & benefits

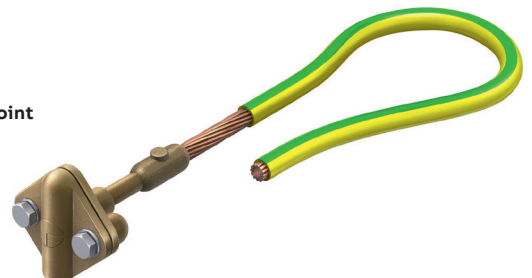
- Electrically and mechanically robust
- Highly corrosion resistant
- Excellent electrical conductivity



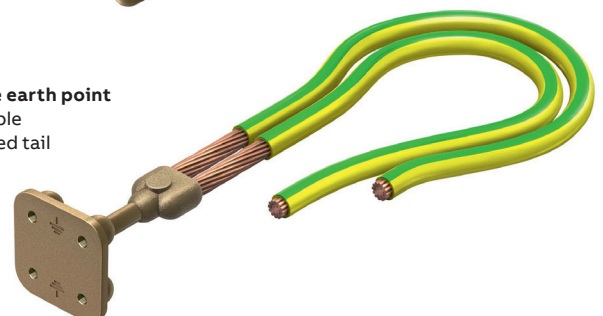
— **Single hole earth** with single pre-welded tail



— **Two hole earth point** with single pre-welded tail



— **Four hole earth point** with double pre-welded tail

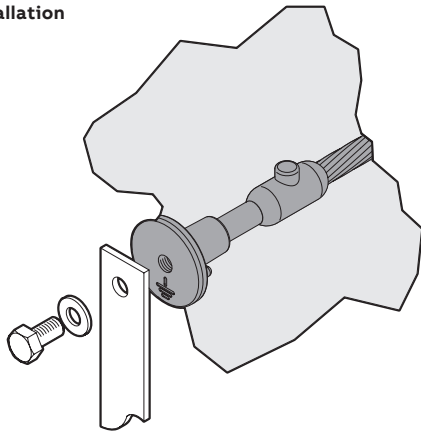


Single hole earth point

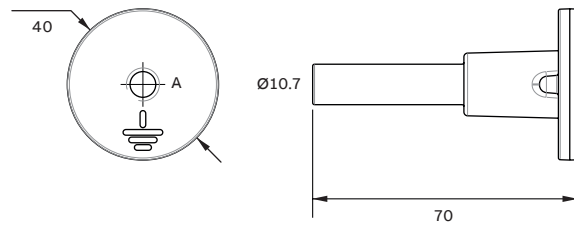
Part no.	ABB order code	Description	Hole size A (mm)	Weight each (kg)	Certification / standards
EP100	7TCA083730R0101	Single hole earth point with M8 hole	M8 x 15	0.11	● ●
EP101	7TCA083730R0102	Single hole earth point with M10 hole	M10 x 15	0.11	●
EP102	7TCA083730R0103	Single hole earth point with M12 hole	M12 x 15	0.11	●
Single hole earth point with single pre-welded tail					
EP105	7TCA083730R0111	EP100 earth point with pre-welded 500 mm earth cable	M8 x 15	0.45	● ●
EP106	7TCA083730R0115	EP101 earth point with pre-welded 500 mm earth cable	M10 x 15	0.45	●
EP107	7TCA083730R0112	EP102 earth point with pre-welded 500 mm earth cable	M12 x 15	0.45	●

Certification / Standards: ● BS 7430 / ● IEC/BS EN 62561-1 Class H.
 Welded tails are 70mm² stranded copper cable.
 Tightening torque 8 Nm.

Typical installation
EP105



Dimensions
(mm)

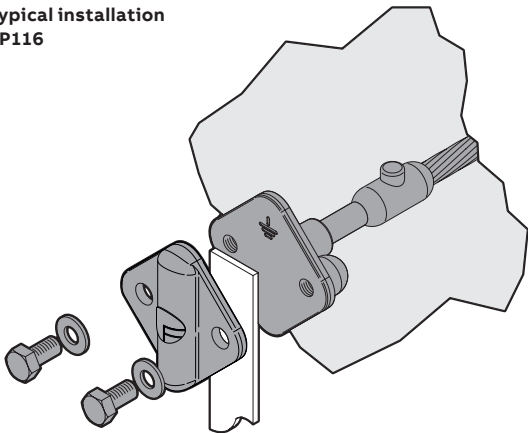


Two hole earth point

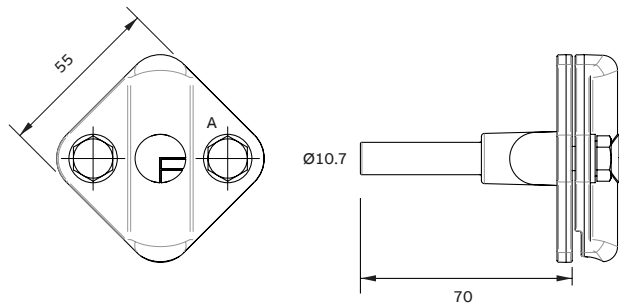
Part no.	ABB order code	Description	Hole size A (mm)	Weight each (kg)	Certification / standards
EP115	7TCA083730R0105	Supplied c/w front plate for connection of 25 mm x 3 mm copper tape or 70 mm ² stranded copper cable	M8 x 12	0.36	● ●
EP120	7TCA083730R0106	Supplied c/w front plate for connection of 25 mm x 3 mm copper tape or 8 mm Ø solid circular copper	M8 x 12	0.36	●
EP125	7TCA083730R0107	Supplied without front plate	M8 x 12	0.26	●
Two hole earth point with single pre-welded tail					
EP116	7TCA083730R0109	EP115 earth point with pre-welded 500 mm earth cable	M8 x 12	0.70	● ●
EP121	7TCA083730R0114	EP120 earth point with pre-welded 500 mm earth cable	M8 x 12	0.70	●
EP126	7TCA083730R0116	EP125 earth point with pre-welded 500 mm earth cable	M8 x 12	0.60	●
Two hole earth point with double pre-welded tail					
EP216	7TCA083730R0113	EP115 earth point with pre-welded 2 x 500 mm earth cable	M8 x 12	1.04	●
EP221	7TCA083730R0110	EP120 earth point with pre-welded 2 x 500 mm earth cable	M8 x 12	1.04	●

Certification / Standards: ● BS 7430 / ● IEC/BS EN 62561-1 Class H.
 Welded tails are 70mm² stranded copper cable.
 Tightening torque 8 Nm.

Typical installation
EP116



Dimensions
(mm)

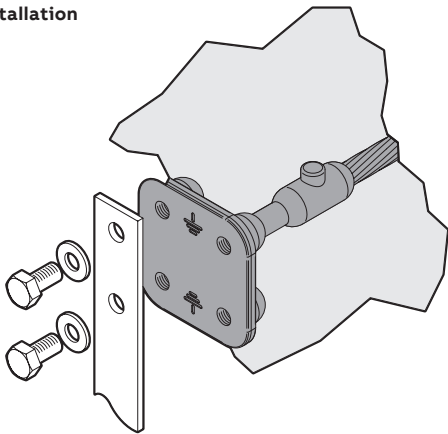


Four hole earth point

Part no.	ABB order code	Description	Hole size A (mm)	Weight each (kg)	Certification / standards
EP110	7TCA083730R0104	Earth point only	M8 x 12	0.3	● ●
Four hole earth point with single pre-welded tail					
EP111	7TCA083730R0117	EP110 earth point with pre-welded 500 mm earth cable	M8 x 12	0.65	● ●
Four hole earth point with double pre-welded tail					
EP211	7TCA083730R0108	EP110 earth point with pre-welded 2 x 500 mm earth cable	M8 x 12	1.00	●

Certification / Standards: ● BS 7430 / ● IEC/BS EN 62561-1 Class H.
 Welded tails are 70mm² stranded copper cable.
 Tightening torque 8 Nm.

Typical installation
EP111



Dimensions
(mm)

