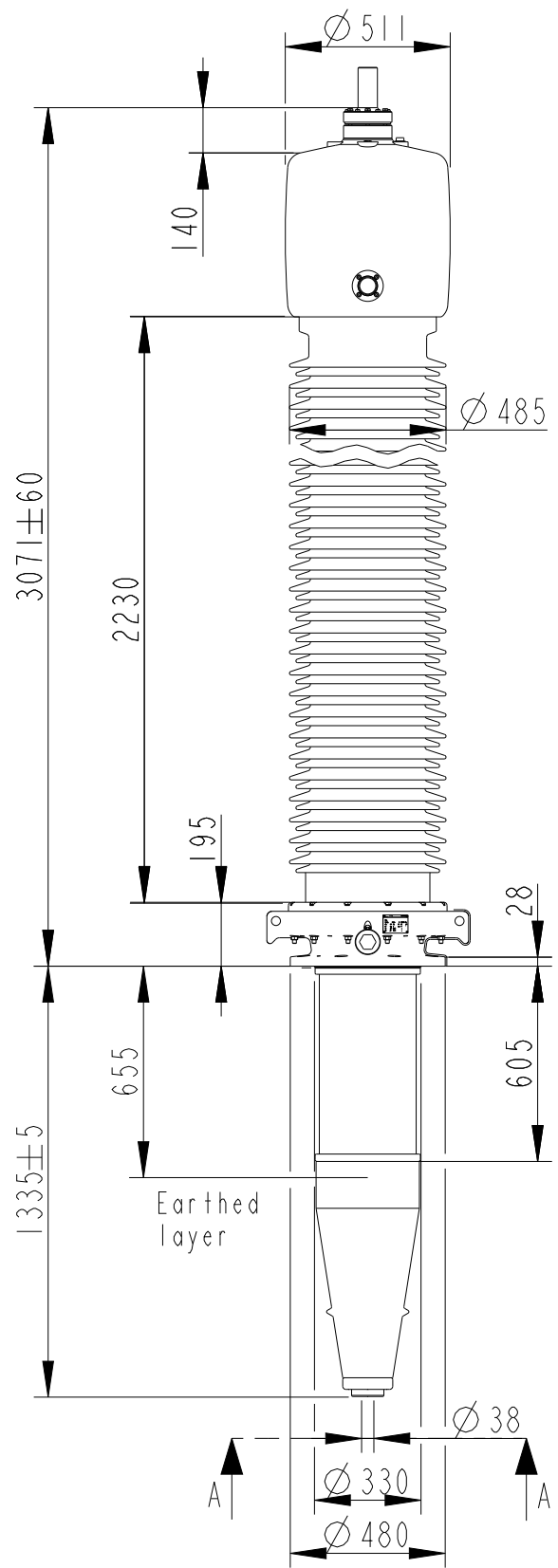


This document is issued by means of a computerized system. The digitally stored original is electronically approved. The approved document has a date entered in the "Approved"-field. A manual signature is not required.

We reserve all rights in this document and in the information contained therein. Reproduction, use or disclosure to third parties without express authority is strictly forbidden. © 2022 Hitachi Energy.

Revision	Revision text
K	The note added.



### Bushing Data:

Rated Voltage	362 kV
Phase to-earth Voltage	209 kV
Dry Lightning Impulse 1,2/50µs	1050 kV
Wet Switching Impulse	750 kV
Wet Power frequency AC	480 kV
Routine test Imin dry 50Hz	505 kV
Rated Current	5000 A
Creepage Distance	8190 mm
Mass	875 kg

### Ordering Data:

<b>BUSHING</b> 1ZSC902245-ABB	COLOUR AIR INSULATOR BROWN	
<b>OUTER TERMINAL</b>	Max. Rated H2 Current (A)(mm)	D2 (mm)
LF170 073-A	Al 2500	125 60
LF170 073-B	Cu 4000	125 60
LF170 073-G	Cu/Ag 4000	125 60
LF170 073-L	Cu/Sn 4000	125 60
LF170 073-BA	Cu/Ag 3000	125 2"-12UN
LF170 073-AA	Cu 5000	115 96
LF170 073-DB	Cu/Ag 5000	125 96
<b>END-SHIELD</b>	EPOXY INSULATED	
LF170 046-U	INSULATED WITH 3 mm PRESSBOARD	
LF170 046-UP		
<b>DRAW ROD SYSTEM</b>	LOWER DRAW ROD WITH NI=4 OR NI=6	
LF170 059	UPPER DRAW ROD	
LF170 057		
<b>INNER TERMINAL</b>	D3 D9 Cond.area Current (A)	IEC IEEE
LF170 056-A	0 *) 35 -	- -
LF170 056-B	15 35 95	390 370
LF170 056-C	30 35 285	1000 830

\*) WITH PILOT HOLE D=5  
 1) GOE 1050 bushing can be used for 245 kV system voltage to meet all the requirements of Table 3, IEC 60137.

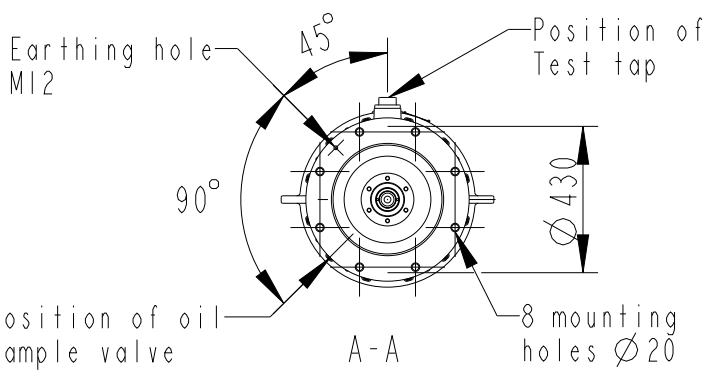
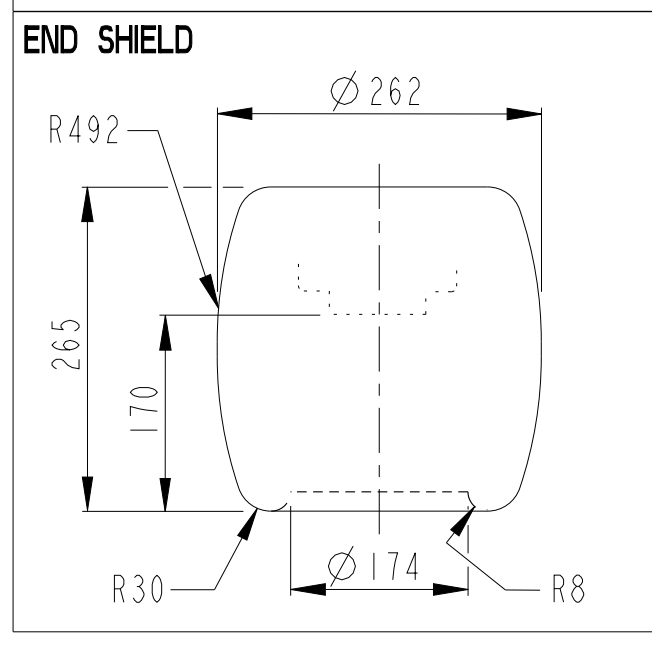
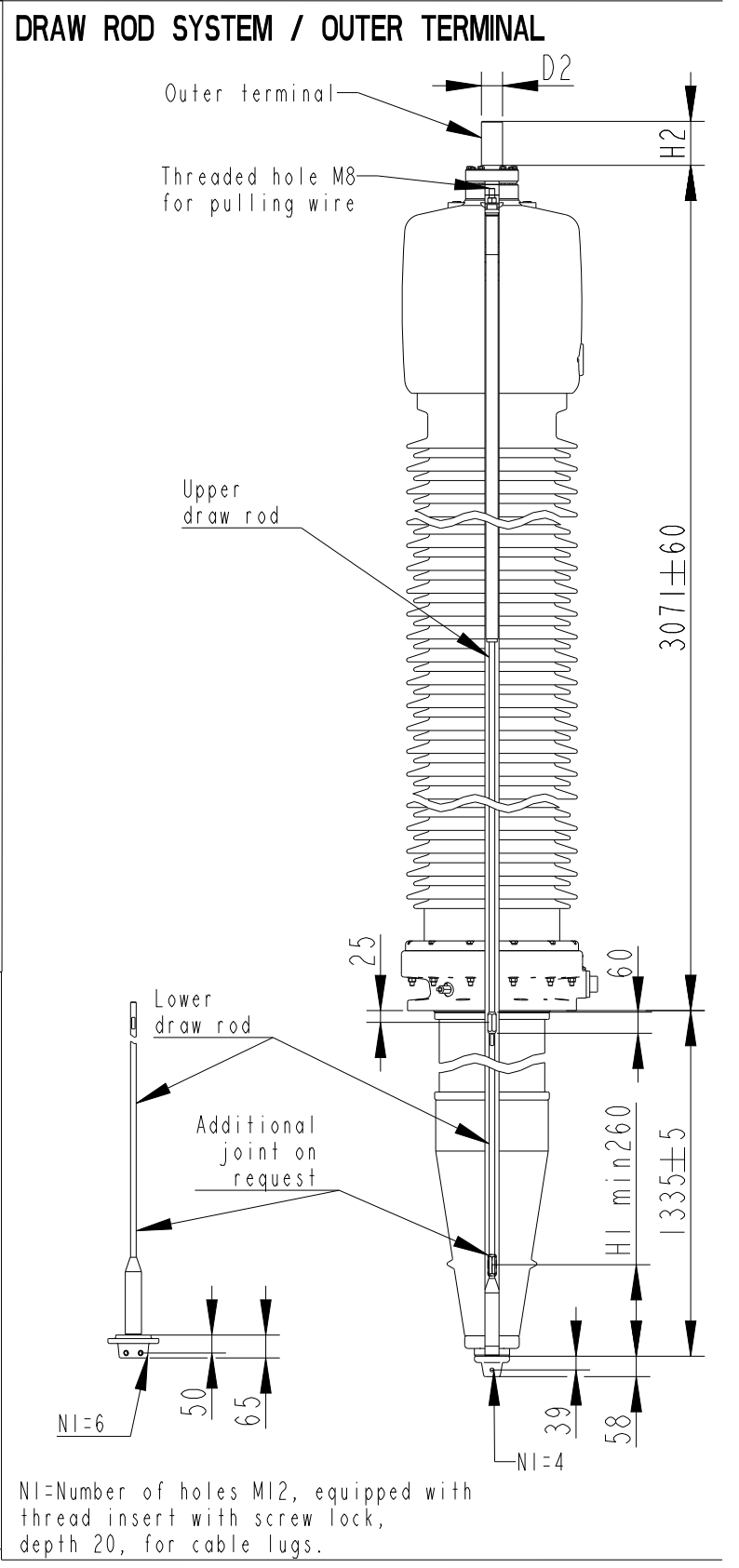
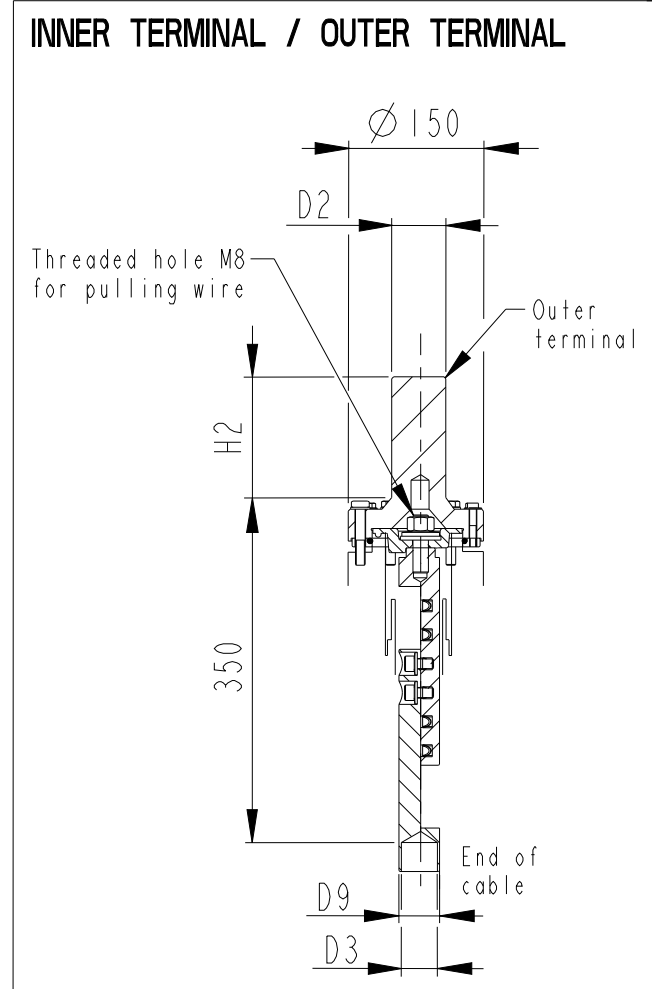


ABB		Ludvika, Sweden	
No.	Um/Uy	kV Ir	A 50/60 Hz
BIL	kV SIL	kV AC	kV
M	kg L	mm	°
C1	pF	Tan δ	x
C2	pF	Tan δ	x

DOCUMENT KIND Dimension Drawing	APPROVED 2022-12-22	TITLE / SUPPLEMENTARY TITLE GOE 1050-750-5000-0.6 GOE 1050-750-5000-0.6
RESPONSIBLE DEPARTMENT SEABB-9AAE300824	RESPONSIBLE COMPANY <b>Hitachi Energy Sweden AB</b>	DOCUMENT ID 2751369-314
STATUS Approved	REVISION K	SHEET 1/1