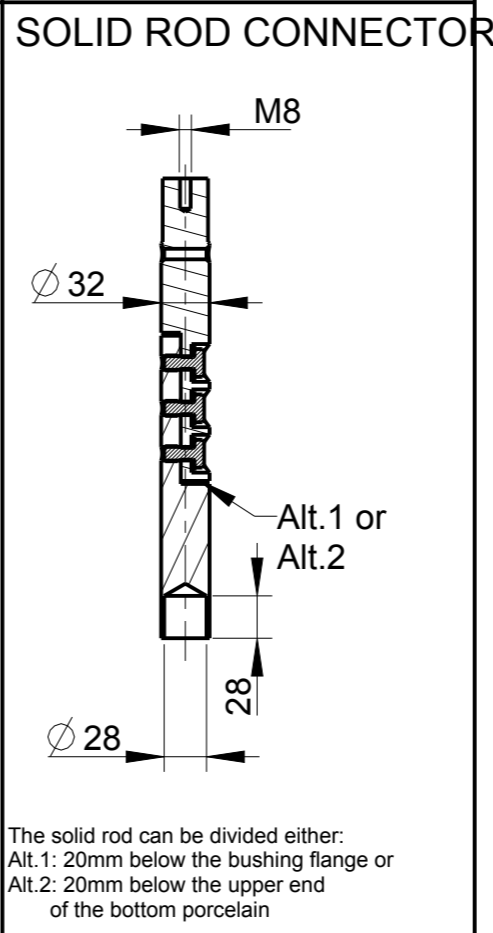
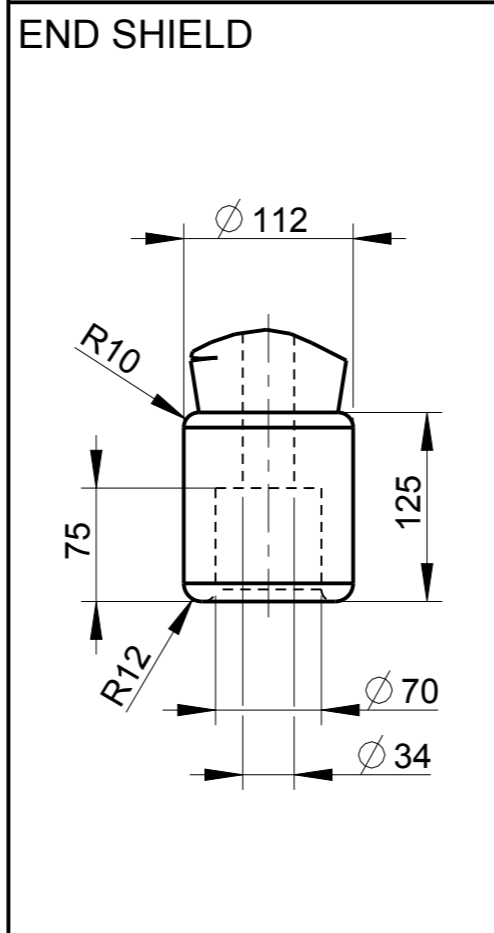
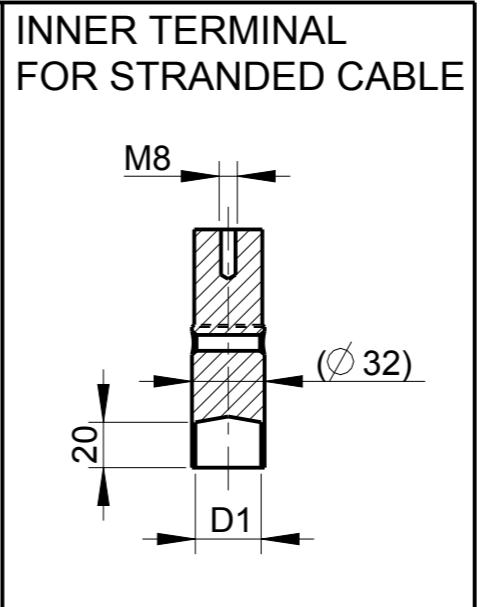
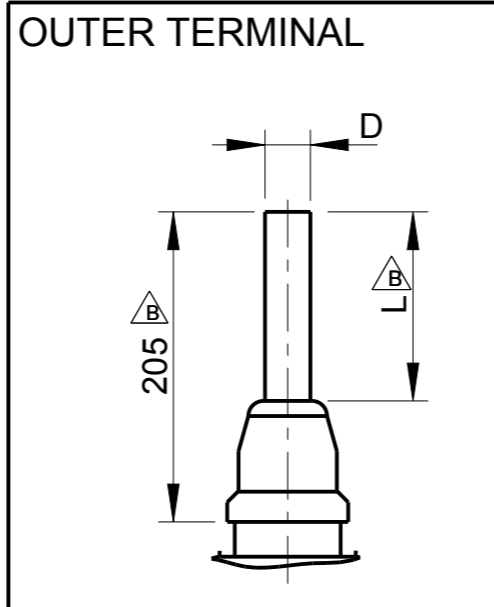
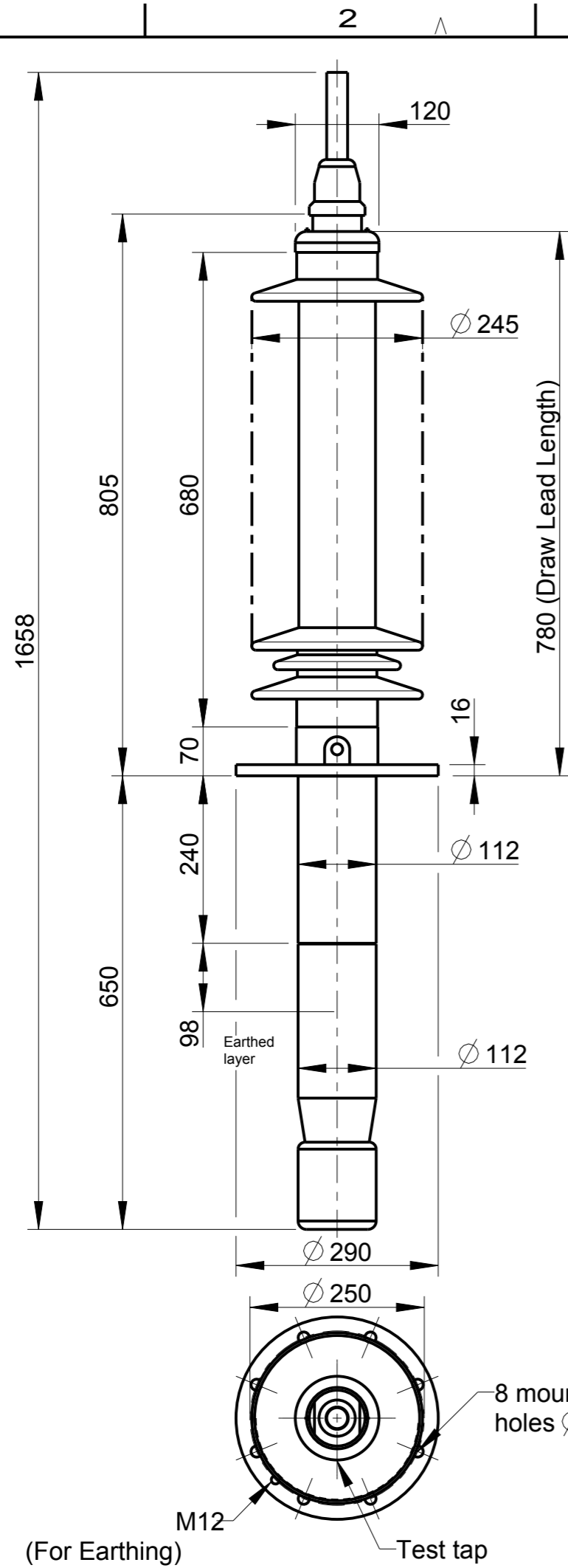


This document is issued by means of a computerized system. The digitally stored original is electronically approved. The approved document has a date entered in the 'Approved'-field. A manual signature is not required.

The information contained in this document has to be kept strictly confidential. Any unauthorized use, reproduction, distribution or disclosure to third parties are strictly forbidden. ABB reserves all rights regarding Intellectual Property Rights. © Copyright 2013 ABB. All rights reserved.



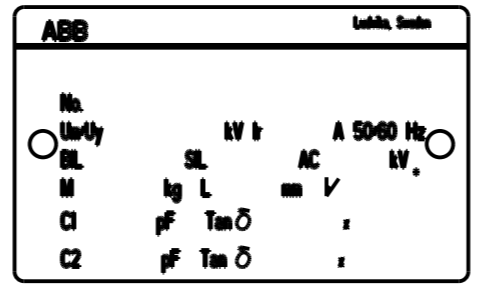
Bushing Data:

Rated Voltage	100	kV
Phase to Ground Voltage	72.5	kV
Dry Lightning Impulse 1,2/50µs	380	kV
Wet power frequency AC	150	kV
Routine test 1min dry 50Hz	162	kV
Rated Current	1250	A
Creepage Distance	△B 2500±70	mm
Creepage Distance Protected	870	mm
Mass	39	kg

Ordering Data:

BUSHING	LF123043-M	COLOUR AIR INSULATOR	BROWN
	-N		LIGHT GREY
OUTER TERMINAL	LF 170 002-B	Material	Cu Alloy
	LF 170 001-B		Al
INNER TERMINAL FOR STRANDED CABLE	LF 170 011-T	Conductor area	up to 285mm ²
	LF 170 011-V		Undrilled with pilot hole 5
SOLID ROD CONNECTOR	LF 170 052 -Z for Alt.1	Material	Cu
	LF 170 052 -X for Alt.2		Cu
TERMINAL PLATE	LF 170 014-A	Material	Aluminium
	LF 170 021-A		Nickel-Plated Copper

Note:
 Mounting inclination 0-45°.
 △B For inclined and horizontal mounting, see Installation and Maintenance Guide.



Prepared	iladmin	2008-04-30	Responsible department	PPCO/BK	Title	GOB 380-1250-0.3	
Modified by	Palpandi K	2013-04-26	Take over department				
Approved by	Niklas Olsson	2013-05-07	Used in product				
Revision	B	Note added, Creep dist was 2210 & out terminal dim changed			Order	WITHOUT OIL LEVEL GAUGE LONG END SHIELD 82	
Document no.					2751369-136	Sheet no.	1
						No. Shts.	(1)