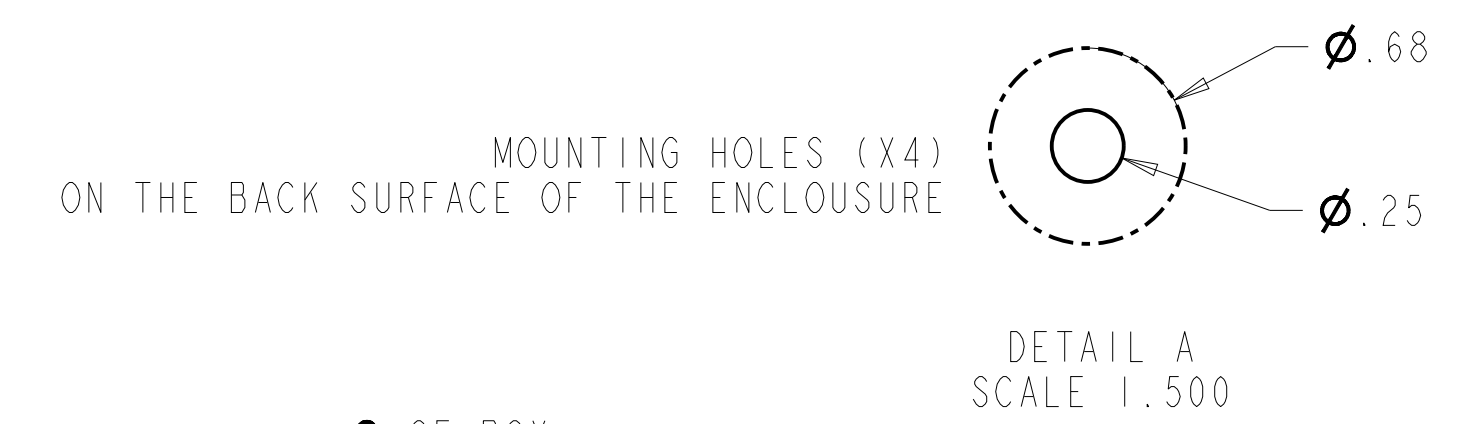
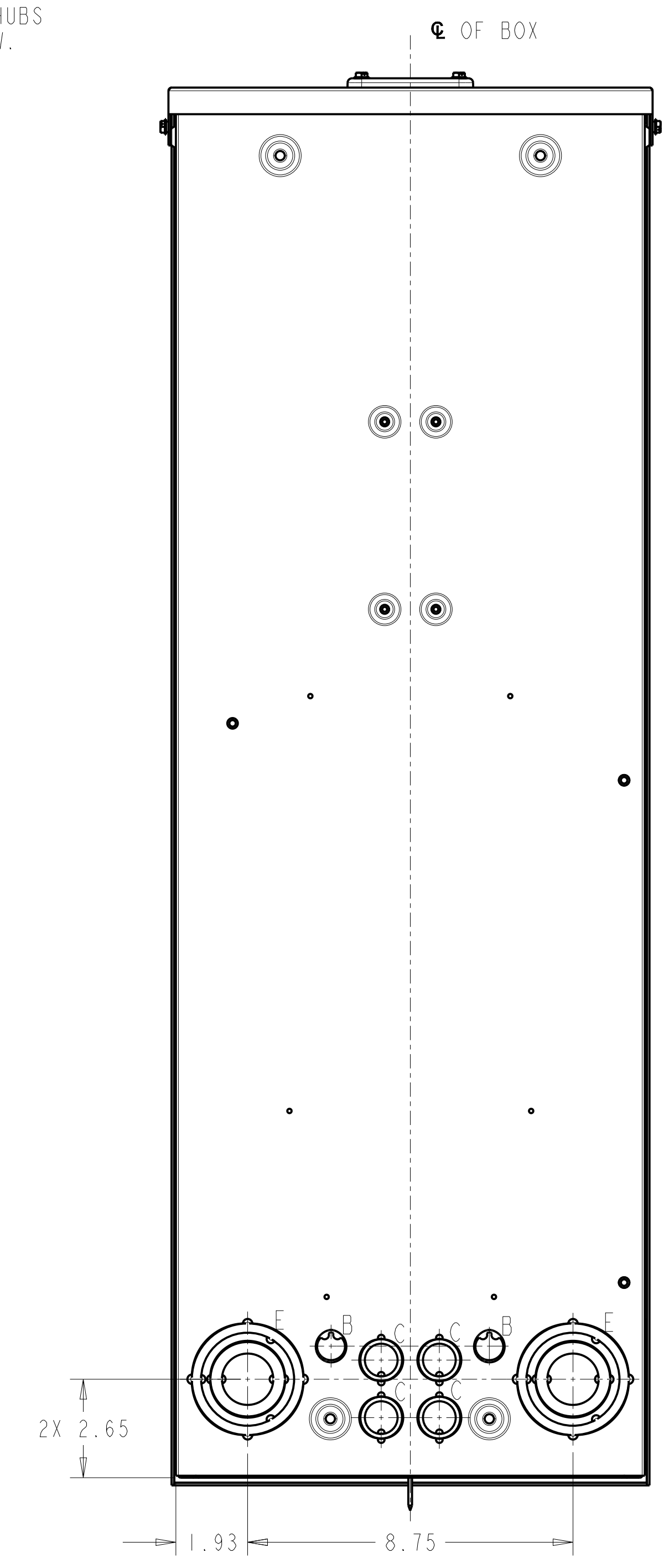
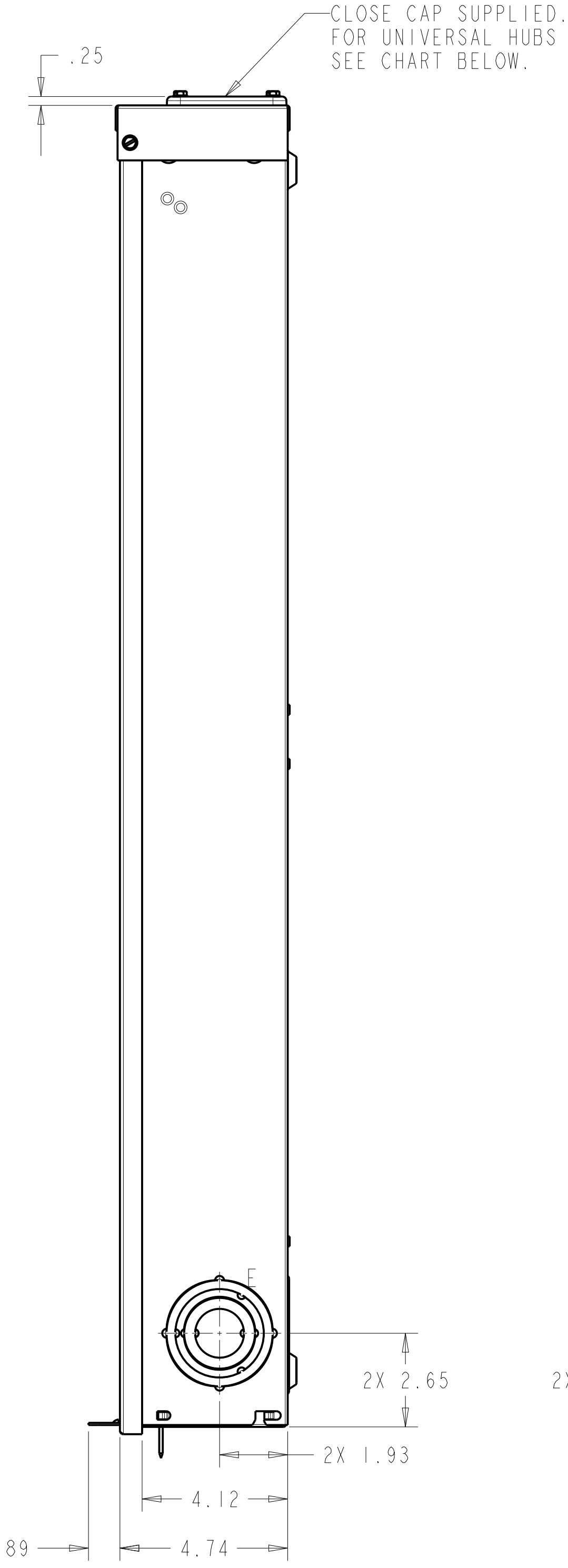
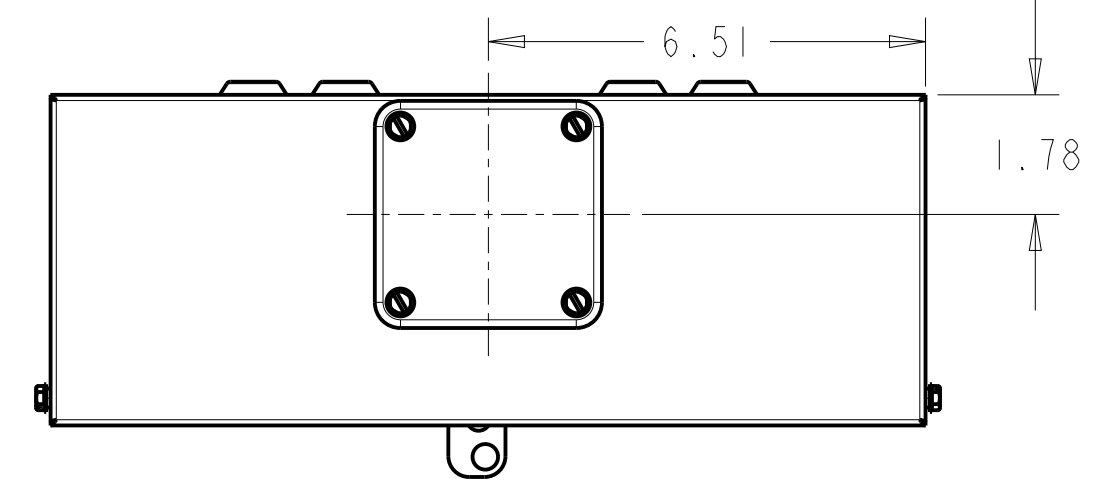
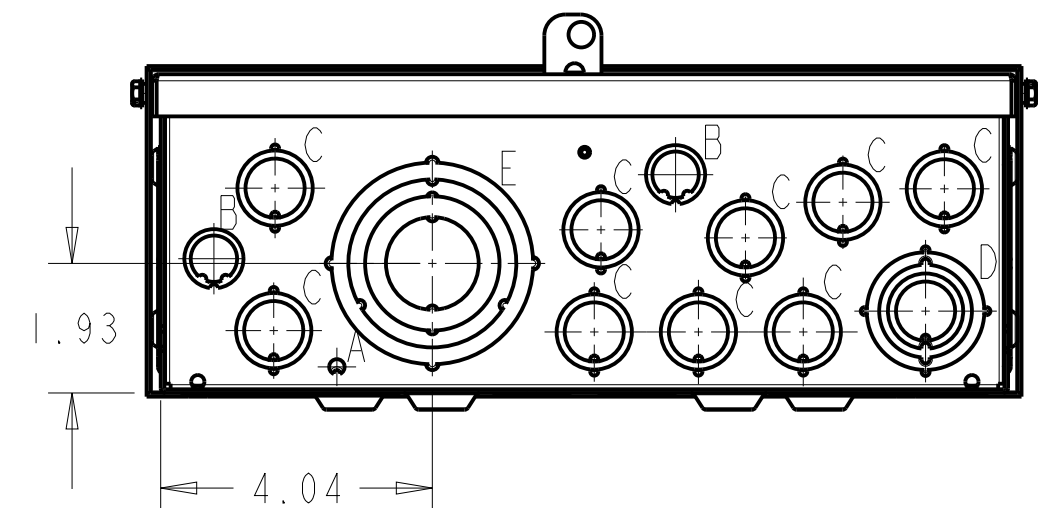
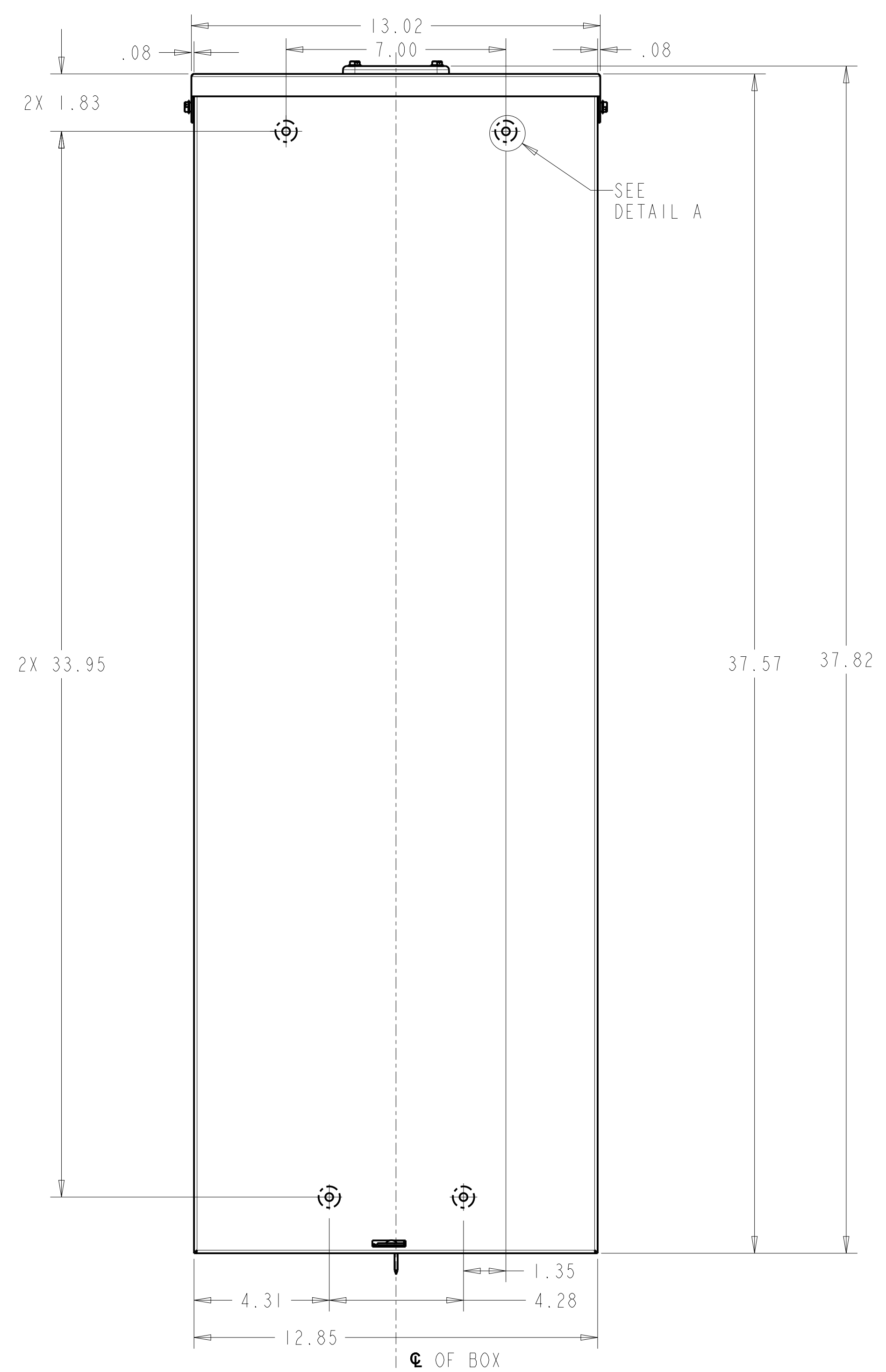
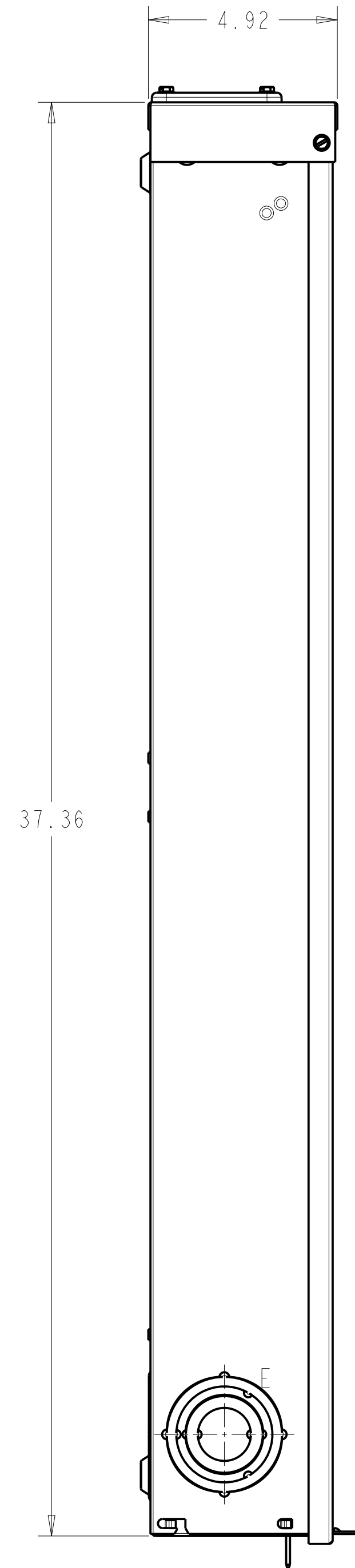


18 17 16 15 14 13 12 11

D
C
B
A



UNIVERSAL HUB	
CONDUIT SIZE	CATALOG NO.
3/4	TC75
1	TC100
1 1/4	TC125
1 1/2	TC150
2	TC200
2 1/2	TC250
CLOSING CAP	TCCP

CAT. NO.	MODEL
TM30420R	5

SYMBOL	SIZE	QTY.
A	9/32 KO	1
B	1/2 KO	4
C	1/2 X 3/4 KO	13
D	1/2 X 3/4 X 1 X 1 1/4 KO	1
E	1 X 1 1/2 X 2 X 2 1/2 KO	5

THIRD ANGLE	SHEET#
	1 of 1

ALL DIMENSIONS HAVE +/- .125 TOLERANCE

ABB

RAINPROOF LCTR 3PH 4W 200A
RAINPROOF ASM ENCLOSURE (36.743)

DWG NO.	DATE	REV
10103091SH284	Apr-27-22	1

18 17 16 15 14 13 12 11