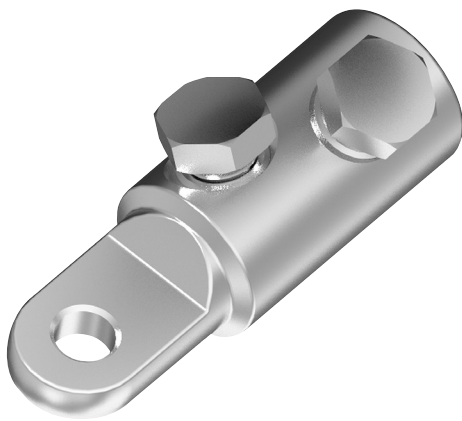


Mechanical lugs for separable connectors

for connection of conductors with MV electrical equipment



Features & benefits

- Bolt heads shears off at the correct torque thus reducing human error
- Leaves a smooth finish, no sharp edges
- Simplified installation, no special tool necessary
- Compatible with both aluminium and copper conductors
- Increased clamping area results in a tighter, more secure connection
- Pre-lubricated bolts
- Special design with grooves for improved contact
- Quick to install thus saves time and resources

Material

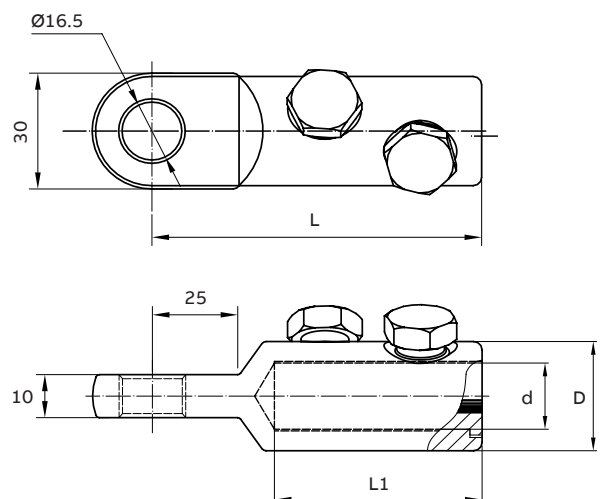
- Body: High strength aluminium alloy
- Bolts: Aluminium alloy
- Surface: Tin plated

Product information

| Part no. | AL or CU (mm ²) | | | Outer diameter (mm) | No. of bolts | Shear-off torque (N.m) | Wrench size |
|--------------|-----------------------------|-----------------|-------------|---------------------|--------------|------------------------|-------------|
| | Round stranded | Sector stranded | Round solid | | | | |
| SBSAA1CG24AA | 25-95 | 25-70 | 25-95 | 24 | 1 | 17 | 13 |
| SBSAA2FL33AA | 70-240 | 70-185 | 70-240 | 33 | 2 | 36 | 19 |
| SBSAA2HM38AA | 120-300 | 120-240 | 120-300 | 38 | 2 | 40 | 22 |

| Part no. | Dimensions (mm) | | | |
|--------------|-----------------|------|----|------|
| | L | L1 | D | d |
| SBSAA1CG24AA | 64.5 | 33.8 | 24 | 13.3 |
| SBSAA2FL33AA | 96.5 | 61.3 | 33 | 20 |
| SBSAA2HM38AA | 99.5 | 65.3 | 38 | 24 |

Dimensions



We reserve the right to make technical changes or modify the contents of this document without prior notice. With regard to purchase orders, the agreed particulars shall prevail. ABB AG does not accept any responsibility whatsoever for potential errors or possible lack of information in this document.

We reserve all rights in this document and in the subject matter and illustrations contained therein. Any reproduction, disclosure to third parties or utilisation of its contents – in whole or in parts – is forbidden without prior written consent of ABB AG.
Copyright © 2024 ABB
All rights reserved