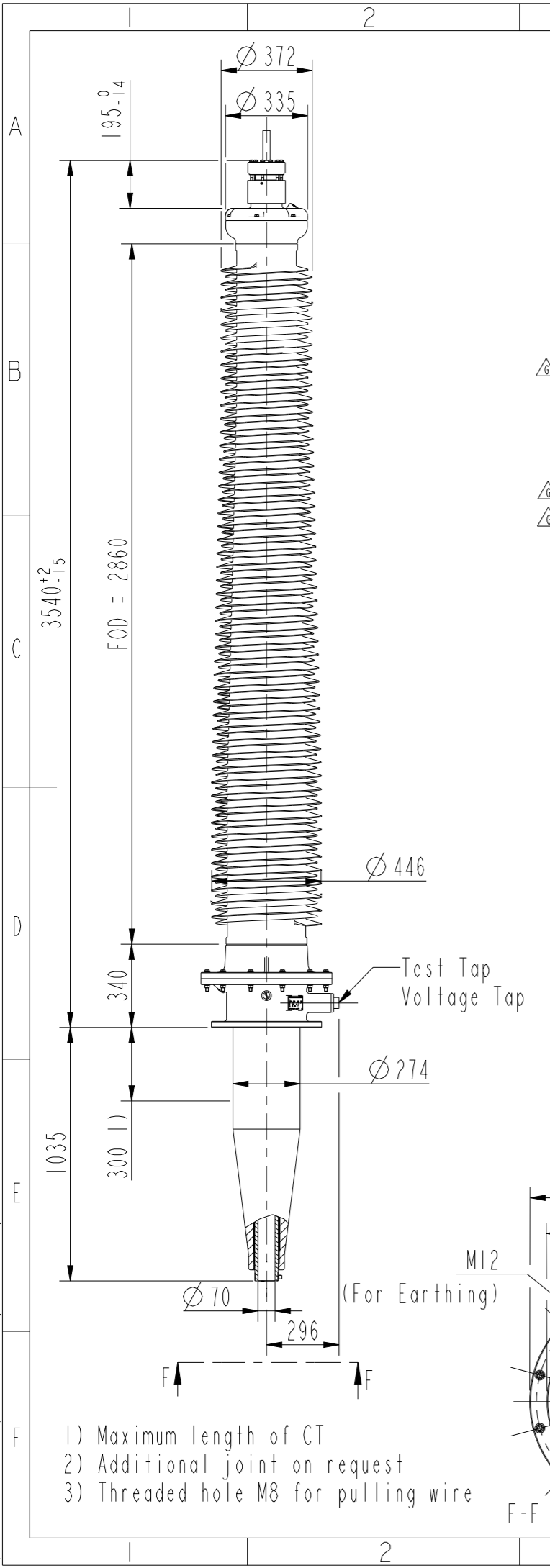
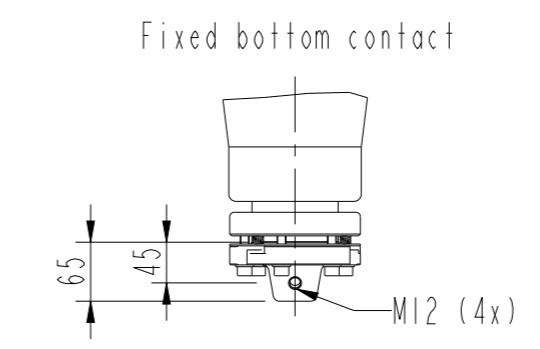
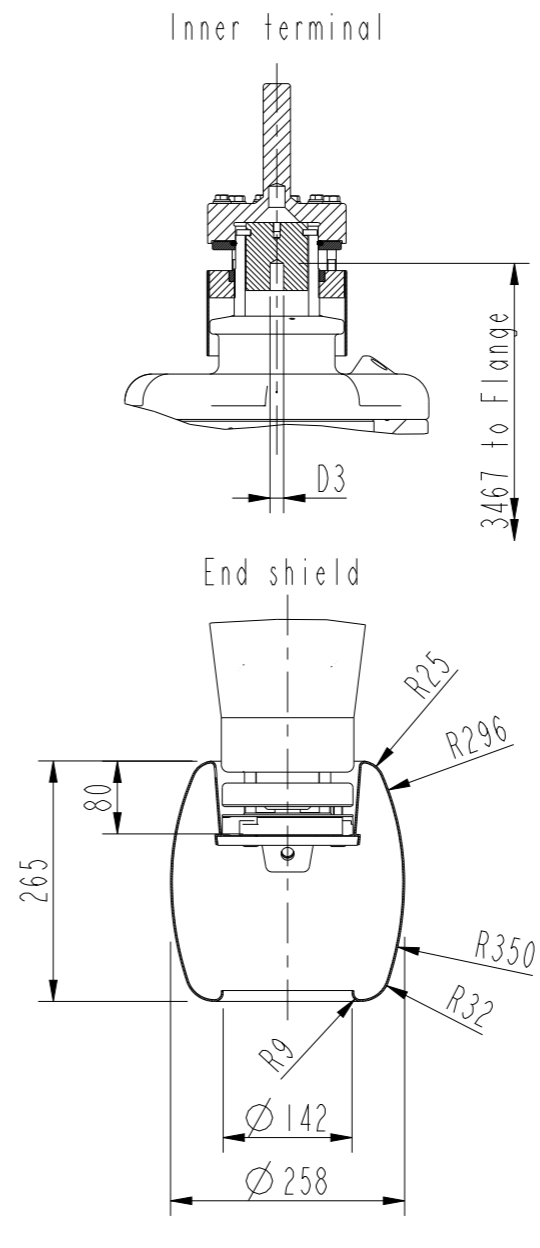
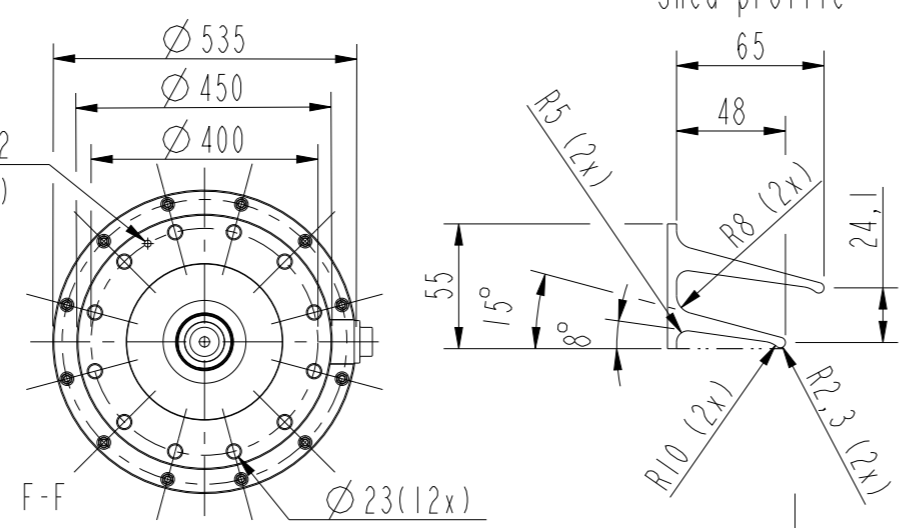


This document is issued by means of a computerized system. The digitally stored original is electronically approved. The approved document has a date entered in the "Approved"-field. A manual signature is not required.

We reserve all rights in this document and in the information contained therein. Reproduction, use or disclosure to third parties without express authority is strictly forbidden.

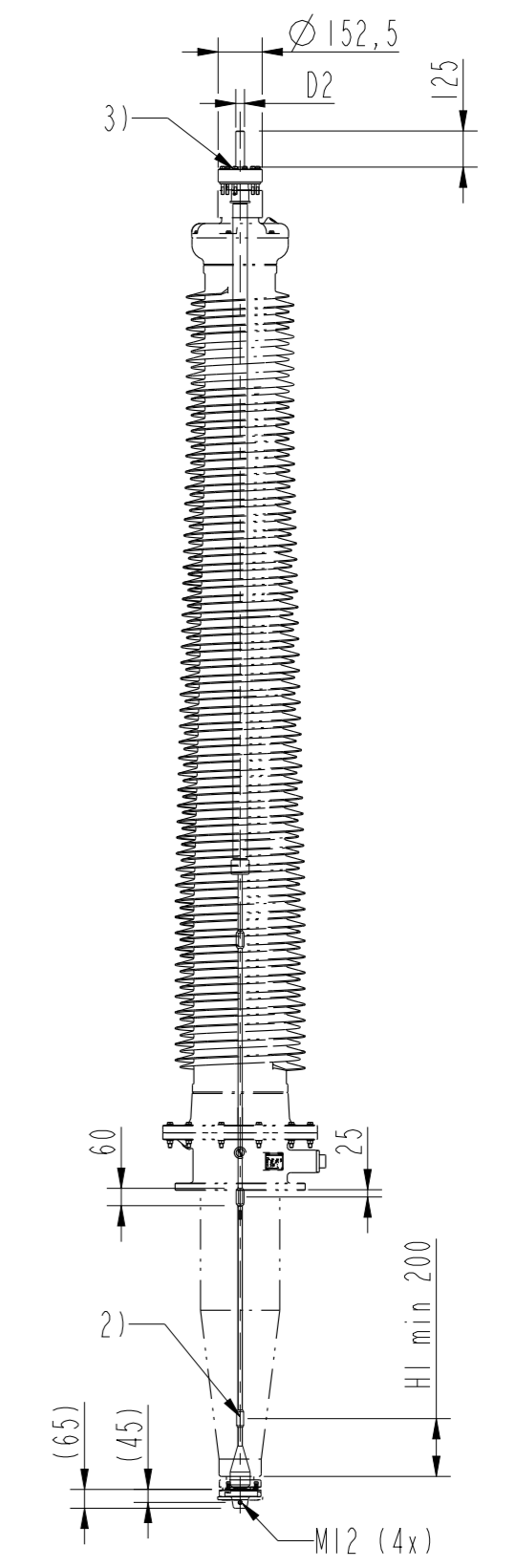


BUSHING DATA			
Rated voltage	362	kV	
Phase-to-earth voltage	220	kV	
Dry lightning impulse 1,2/50 µs	1175	kV	
Wet switching impulse	950	kV	
Wet power frequency AC	n.a.	kV	
Routine test 1 min dry 50 Hz	561	kV	
Rated current	1600	A	
Creepage distance, nominal	12861	mm	
Creepage distance, minimum	12345	mm	
Nominal capacitance	619	pF	
△ Mass, Bushing	400	kg	
△ Ambient air temperature	-50 to +40	°C	
Ordering Data			
<b>BUSHING</b>			AIR INSULATOR COLOR/TYPE
△ IZSC901362 -CAA	Test tap		Composite
△ IZSC901362 -CBA	Voltage tap 6 kV		Composite
<b>OUTER TERMINAL</b>		MATERIAL	D2 (mm)
IZSC999001-AAA		AL	30
IZSC999001-AAB		AL	60
IZSC999001-AAC		Cu	30
IZSC999001-AAD		Cu	40
<b>DRAW ROD SYSTEM</b>			
IZSC999006		Lower draw rod	
IZSC999007		Upper draw rod	
<b>INNER TERMINAL</b>			D3 (mm)
IZSC999005-AAA			15
IZSC999005-AAB			30
IZSC999005-AAC			40
IZSC999005-AAD			42
<b>FIXED BOTTOM CONTACT</b>			
IZSC999002-AAE			
<b>END SHIELD</b>			
IZSC999003-AEA		Epoxy insulated	
IZSC999003-AEB		Pressboard insulated 3 mm	



Revision	Revision text
G	Ordering data and Bushing data updated.

Draw rod system / Outer terminal



APPROVED 2020-09-16	Document Kind Dimension Drawing	BASED ON DOC. ID	Work order id	Project id
COMPANY ABB AB	Title, Supplementary title Bushings GSB 362 1600/0.3 AI.			
Responsible Department SEABB-9AAE300824	Genomföring GSB 362 1600/0.3 AI.			
<b>ABB</b>	Document id 2751377-11	Status Released	Revision G	Iteration 1/1