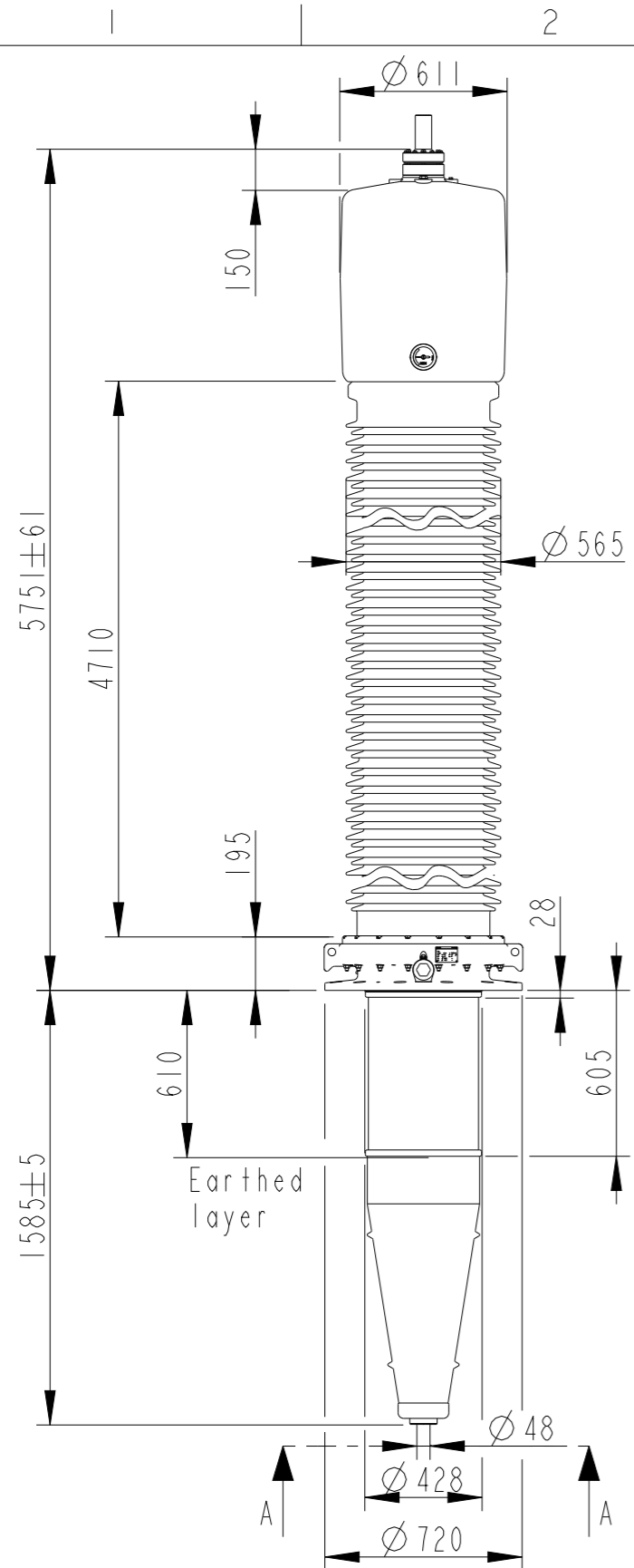


This document is issued by means of a computerized system. The digitally stored original is electronically approved. The approved document has a date entered in the "Approved"-field. A manual signature is not required.

The information contained in this document has to be kept strictly confidential. Any unauthorized use, reproduction, distribution or disclosure to third parties are strictly forbidden. ABB reserves all rights regarding Intellectual Property Rights. © Copyright 2013 ABB. All rights reserved.



Bushing Data:		
Rated Voltage	550	kV
Phase to-earth Voltage	318	kV
Dry Lightning Impulse 1,2/50µs	1675	kV
Wet Switching Impulse	1300	kV
Wet Power frequency AC	N/A	kV
Routine test 1min dry 50Hz	750	kV
Rated Current	2500	A
Creepage Distance	18020	mm
Mass	2030	kg

Ordering Data:				
BUSHING		COLOUR AIR INSULATOR		
IZSC902550-BAB/-DAB		BROWN / LIGHT GREY		
OUTER TERMINAL				
		Max. Rated Current (A)	H2 (mm)	D2 (mm)
LF170 073-A	Al	2500	125	60
LF170 073-B	Cu	4000	125	60
LF170 073-G	Cu/Ag	4000	125	60
LF170 073-L	Cu/Sn	4000	125	60
LF170 073-BA	Cu/Ag	3000	125	2"-12UN
LF170 073-AA	Cu	5000	125	96

END-SHIELD		EPOXY INSULATED	
LF170 046-V		INSULATED WITH 3 mm PRESSBOARD	
LF170 046-VP			

DRAW ROD SYSTEM		LOWER DRAW ROD WITH NI=4 OR NI=6	
LF170 059		UPPER DRAW ROD	
LF170 057			

INNER TERMINAL				
	D3 (mm)	D9 (mm)	Cond.area (mm ²)	Current (A) IEC / IEEE
LF170 056-E	0 *)	45	-	- / -
LF170 056-D	40	45	600	1600 / 1360

*) WITH PILOT HOLE D=5

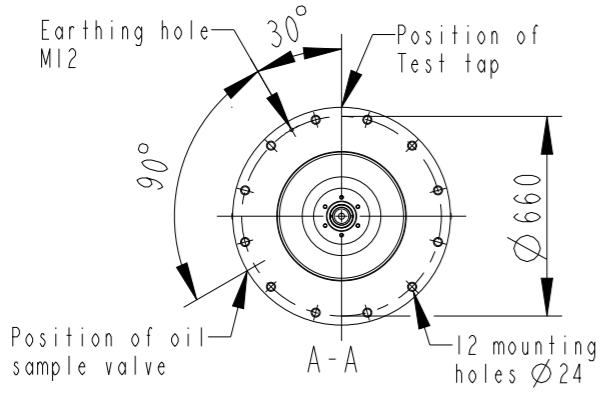
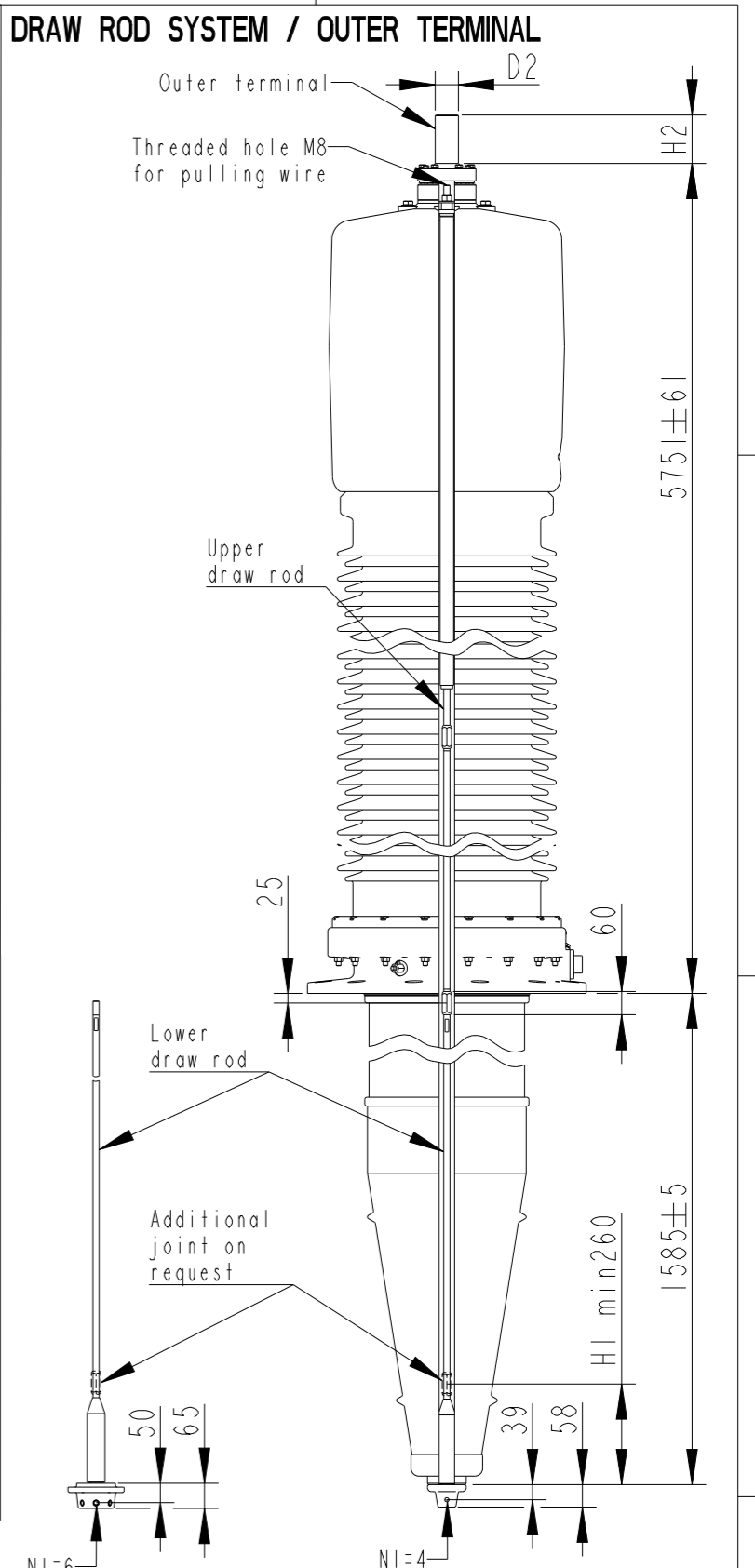
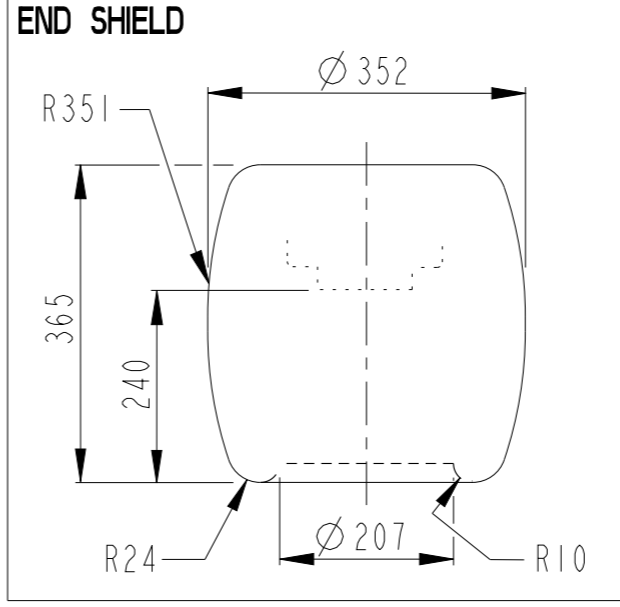
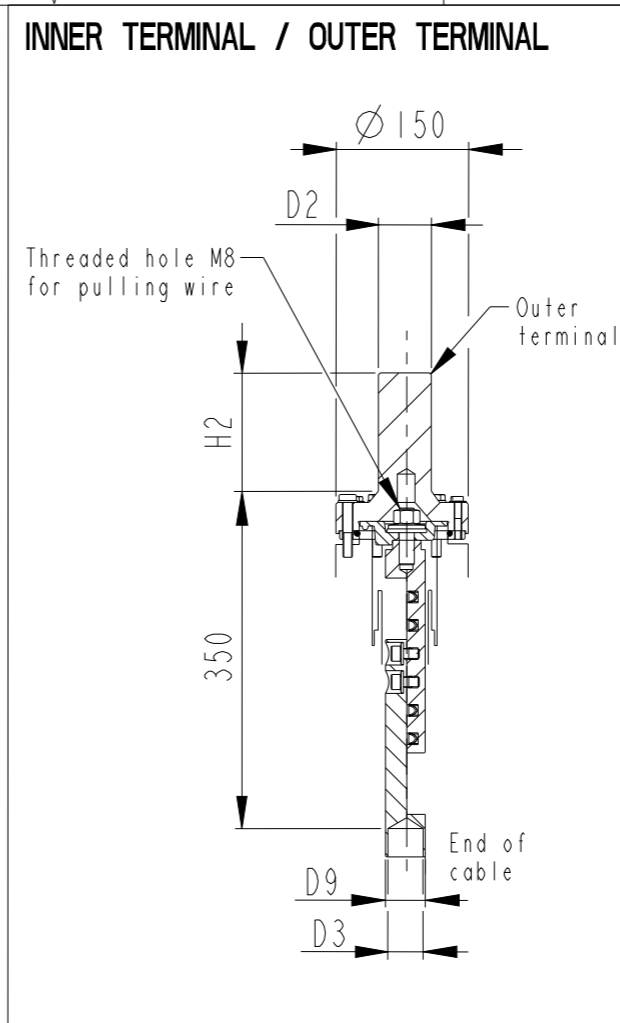


ABB		Ludvika, Sweden	
No.	Um/Uy	kV Ir	A 50/60 Hz
BL		kV SIL	kV AC
M		kg L	mm V
C1		pF Tan δ	x
C2		pF Tan δ	x



NI=Number of holes M12, equipped with thread insert with screw lock, depth 20, for cable lugs.

Prepared	Kalaivanan R	2017-07-25	Responsible department	PGCO/BK	Title	
Modified by	Kalaivanan R	2017-07-28	Take over department		GOE 1675-1300-2500-0,6	
Approved by	Natalia Gutman	2017-07-28	Used in product		GOE 1675-1300-2500-0,6	Language 82
Revision	H	Drawing display updated			Order	Sheet no.
Document no.					2751369-324	No. Shits. (1)

