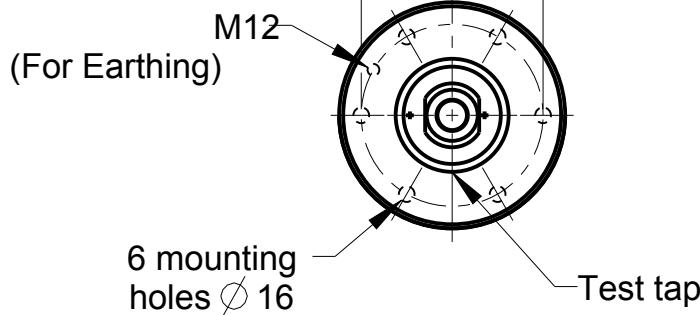
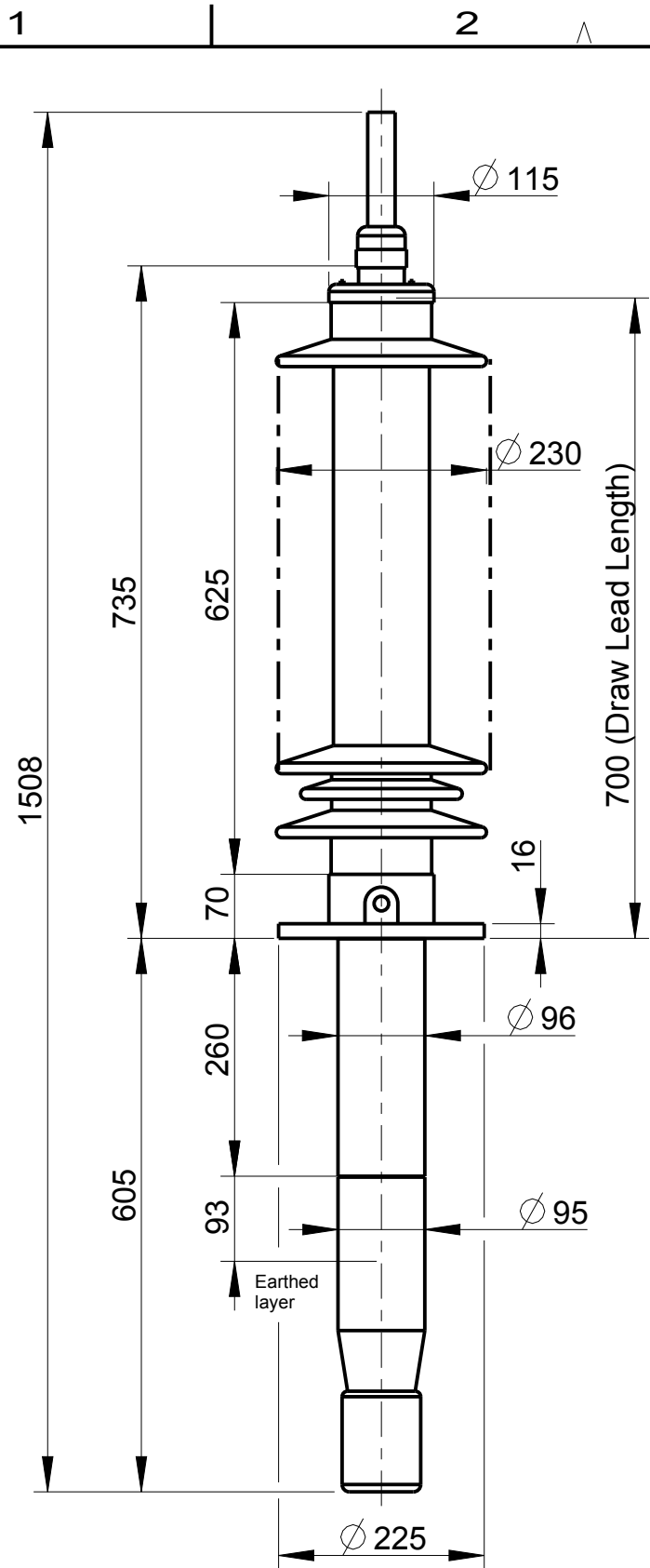
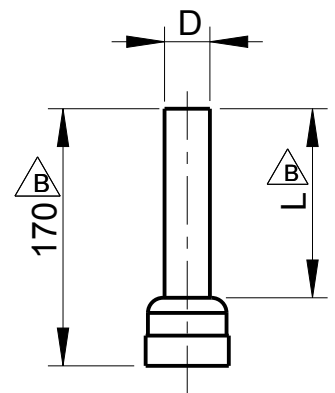


This document is issued by means of a computerized system. The digitally stored original is electronically approved. The approved document has a date entered in the 'Approved'-field. A manual signature is not required.

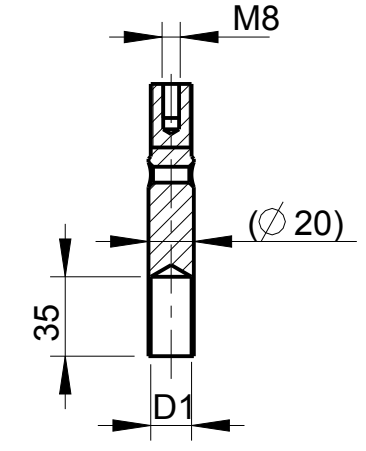
The information contained in this document has to be kept strictly confidential. Any unauthorized use, reproduction, distribution or disclosure to third parties are strictly forbidden. ABB reserves all rights regarding Intellectual Property Rights. © Copyright 2013 ABB. All rights reserved.



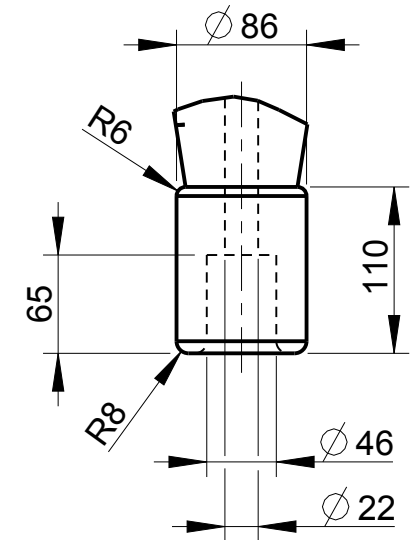
**OUTER TERMINAL**



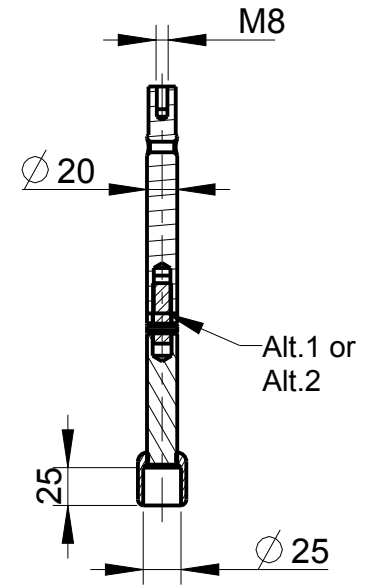
**INNER TERMINAL FOR STRANDED CABLE**



**END SHIELD**



**SOLID ROD CONNECTOR**



The solid rod can be divided either:  
Alt.1: 20mm below the bushing flange or  
Alt.2: 20mm below the upper end of the bottom porcelain

Note:  
Mounting inclination 0-45°.  
△ For inclined and horizontal mounting, see Installation and Maintenance Guide.

<b>ABB</b>		Ludvika, Sweden	
No.	Unit	kV	A 50/60 Hz
SL	kg L	mm V	AC kV.
CI	pF Tan δ		
C2	pF Tan δ		

**Bushing Data:**

Rated Voltage	72.5	kV
Phase to Ground Voltage	72.5	kV
Dry Lightning Impulse 1,2/50µs	350	kV
Wet power frequency AC	140	kV
Routine test 1min dry 50Hz	160	kV
Rated Current	800	A
Creepage Distance	△ 2240±50	mm
Creepage Distance Protected	775	mm
Mass	31	kg

**Ordering Data:**

BUSHING	COLOUR AIR INSULATOR
LF123027-M	BROWN
-N	LIGHT GREY
OUTER TERMINAL	Material D L
LF 170 002-A	Cu Alloy ∅ 30 125
LF 170 001-A	Al ∅ 30 125
OTHER TYPES ON REQUEST	
INNER TERMINAL FOR STRANDED CABLE	
For brazing	Conductor area D1
LF 170 011-S	up to 150mm <sup>2</sup> ∅ 18
LF 170 011-U	Undrilled with pilot hole ∅ 5
For crimping or brazing	Conductor area D1
LF 170 010-M	50mm <sup>2</sup> ∅ 11
LF 170 010-N	70mm <sup>2</sup> ∅ 13
LF 170 010-L	95mm <sup>2</sup> ∅ 15
SOLID ROD CONNECTOR	
LF 170 019 -K for Alt.1	Cu
LF 170 019 -G for Alt.2	Cu
TERMINAL PLATE	
LF 170 014-A	Aluminium
LF 170 021-A	Nickel-Plated Copper

Prepared	iladmin	2008-04-30	Responsible department	PPCO/BK	Title	GOB 325-800-0.3	
Modified by	Palpandi K	2013-04-26	Take over department				
Approved by	Niklas Olsson	2013-05-07	Used in product		WITHOUT OIL LEVEL GAUGE LONG END SHIELD		
Revision	B	Note added, Creep dist was 1980 & out terminal dim changed			Order	1	
<b>ABB</b>					Document no.	2751369-124	
						Sheet no.	1
						No. Shts.	(1)