

| REV | DESCRIPTION  | DATE       | DEPT./INIT.    |
|-----|--|------------|----------------|
| A   | New document   | 2002-11-21 | ATCF/FM/GB/LEN |
| B   | Sheet 2 changed  | 2002-11-22 | ATCF/FM/GB/LEN |
| C   | Instruction for single load cell application added.                    | 2007-04-12 | PA/FM/GF/ZR    |
| D   | PFEA122 added together with information of PROFINET and EtherNet/IP    | 2022-03-28 | PAMA/FMGF /LH  |
| D   | connectors. "Mains 100-240 V ac" was "Mains 115/230 VAC". Title updat. | 2022-06-02 | PAMA/FMGF /LH  |

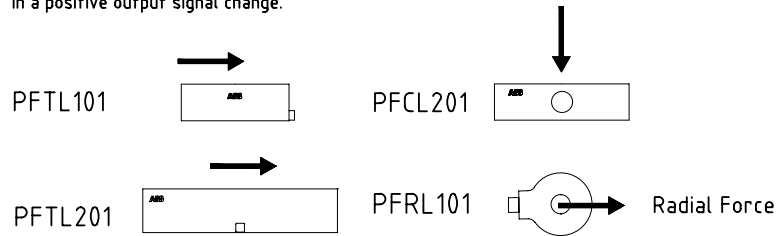
For single Load Cell application connect shorting wire at:  
 -when single load cell A between X1:7 & X1:8 or  
 -when single load cell B between X1:3 & X1:4

Cable resistance between X1:3 and X1:8 must not exceed 5 ohm.

| CABLE LIST |   |
|------------|---|
| 1          | 3 x 1,5...2,5 mm <sup>2</sup> [14...12 AWG]                             |
| 2          | 2 x 0,4...1 mm <sup>2</sup> [22...18 AWG] —Shielded                     |
| 3          | 2 x 1,5...2,5mm <sup>2</sup> [14...12AWG]                               |
| 4          | 4 x 1,0 mm <sup>2</sup> [18 AWG] —Shielded, with Male plug connector x) |

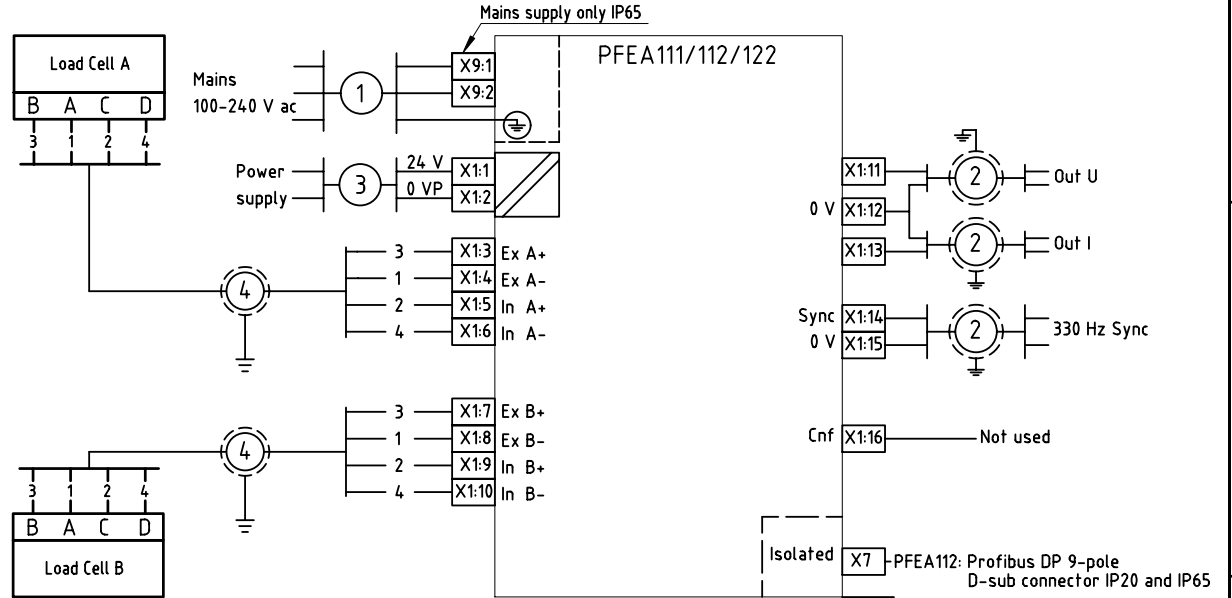
x) Load cell equipped with fixed cable has no plug connector.

Increased Force in the direction of the arrow results in a positive output signal change.



Because of practical reasons the Load Cell PFTL201 is often mounted so that the plug connector is pointing away from the roll. This results in that one of the Load Cells will have inversely applied force.

| For inversely applied force on load cell: | To get a positive output signal swap: |
|---|---------------------------------------|
| A   | X1:5&6                                |
| B   | X1:9&10                               |

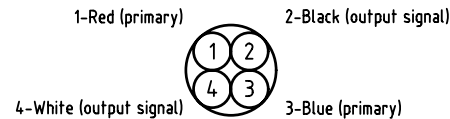


IP20:  
 Power Supply 24 V dc  
 Signal earth (0V) connected to Tension Electronics metal plate  
 Cable Shields should be connected to earth close to the Tension Electronics

IP65:  
 Power Supply 100 (-15%) to 240 (+10%) V ac or 24 V dc  
 Signal earth (0V) connected to earth bar inside the unit  
 Cable Shields should be connected to earth bar inside the unit

**IMPORTANT!**

Core order along no. 4



Load Cell equipped with fixed cable has color marked conductors. If cable no. 4 is lengthened it is important to keep core order.

|   |                                     |                    |
|---|-------------------------------------|--------------------|
| Prep. PAMA/FMGF Lars Hinders 2022-08-15     | Circuit diagram                     | Cont.sh./No of sh. |
| Appr. PAMA/FMGF Håkan F Wintzell 2022-08-17 | Tension Electronics PFEA111/112/122 | -                  |
| Resp.dept PAMA/FMGF                         | Tension Electronics PFEA111/112/122 | -                  |
| Document number 3BSE02814.0D0065            |                                     | Sheet 3            |
| Lang. en                                    |                                     | Rev. D             |

Product family : PFEA  
 Product type designation : PFEA 111/112/122  
 Product information : PFE100

Project or order number :  
 Customer reference :  
 Modify date : 2022-07-05 14:56:38

Prohibited substances set out in the current document "ABB List of Prohibited and Restricted substances" shall not be used. Restricted substances in concentrations above the accepted levels must be declared.

Document status : Approved

We reserve all rights in this document and in the information contained therein. Reproduction, use or disclosure to third parties without express authority is strictly forbidden. © ABB AB