

Type VOY-11

Outdoor voltage transformer

Product features

- 15 kV outdoor
- 110 kV BIL, 60 Hertz
- Primary volts: 7200 - 14400
- Electrical clearances:
 - Strike: 10.75" (273 mm)
 - Creep: 17.63" (448 mm)

Application

The VOY-11 outdoor voltage transformer is designed for outdoor metering applications.

Construction features

The primary and secondary coils are wound using special winding and shielding techniques for improved voltage stress distribution. The entire core and coil assembly is cast in polyurethane under a vacuum.

Terminals

The primary line terminals are electro-tin plated copper and accommodate #10 to 250 MCM conductors. Secondary terminals are clamp-type and sized for #14 through #3 wire. A ground terminal is also provided for grounding the secondary circuit at the transformer.

Junction box

The junction box is provided with 1" pipe thread conduit hubs on each end and a knock-out for fitting a conduit connection from the bottom. It may be detached for ease of installation and changeout procedures.

Baseplate

The base is constructed of corrosion-resistant aluminum and is secured to the encapsulated base support.

Mounting

The VOY-11 can be mounted in upright, cantilever, or upside-down positions. Stress relief devices should be used to support cable connections.



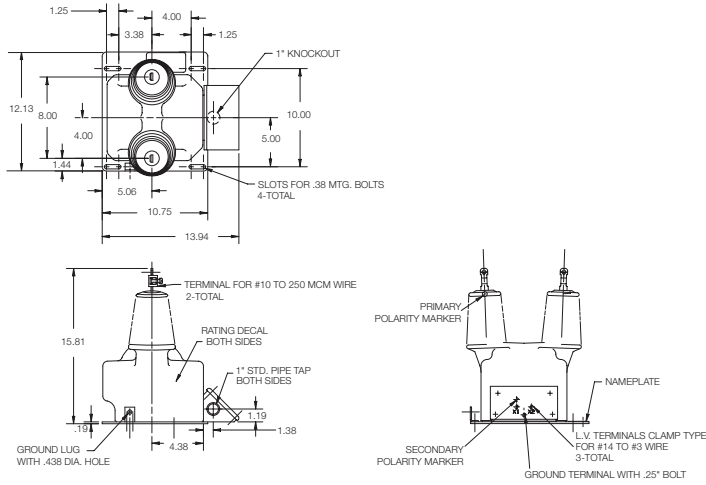
Test reports

IEEE test reports are stored electronically and can be e-mailed in various formats at the time of shipment.

Standards

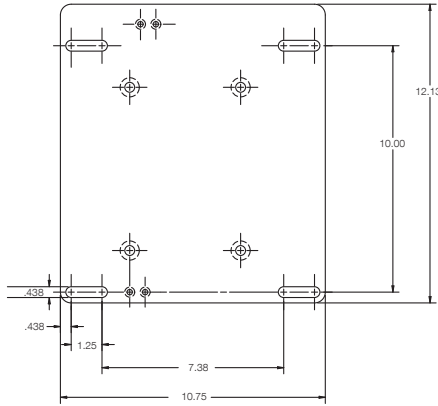
This unit can be tested to all applicable IEEE, CSA, or IEC standards as requested.

Unit dimensions



Type VOY-11

(Approximate weight: 62 lbs.)



VOY-11 baseplate

VOY-11 selection guide

Primary voltage	Winding ratio	IEEE metering accuracy	Thermal rating+	Style number
7200/12470Y	60:1	0.3 W, X, M, Y	1500	7525A23G05
7620/13200Y	63.5:1	0.3 W, X, M, Y	1500	7525A23G06
8400/14560Y	70:1	0.3 W, X, M, Y	1500	7525A23G07
12000/12000Y	100:1	0.3 W, X, M, Y	1500	7525A23G08
13200/13200Y	110:1	0.3 W, X, M, Y	1500	7525A23G09
14400/14400Y	120:1	0.3 W, X, M, Y	1500	7525A23G10

+ Thermal rating at 30° C

Additional styles available upon request. Contact your ABB sales representative or call +1-252-827-3212 for more information.

Optional accessories

- Vertical mounting with mounting brackets & back-up plates:
Mounting bracket: 463C035G02
Back-up plate: 28D2876G01
- Vertical mounting with mounting brackets and hangers:
Mounting bracket: 463C035G02
Hangers: 261A233G01
- Vertical mounting with channel brackets for tandem mounting of voltage and current transformers:
Channel bracket: 332B955G02
- Horizontal mounting with hangers:
Hangers: 261A233G01

For more information please contact:

ABB Inc.

Medium Voltage Distribution Components

3022 NC 43 North

Pinetops, NC 27864

USA

Phone: +1 252 827 3212

Fax: +1 252 827 4286

www.abb.com/mediumvoltage

Note:

We reserve the right to make technical changes or modify the contents of this document without prior notice. With regard to purchase orders, the agreed particulars shall prevail. ABB does not accept any responsibility whatsoever for potential errors or possible lack of information in this document. We reserve all rights in this document and in the subject matter and illustrations contained therein. Any reproduction—in whole or in parts—is forbidden without ABB's prior written consent.

Copyright 2014 ABB.

All rights reserved.