

# Quick installation and start-up guide

## FBIP-21 BACnet/IP adapter module

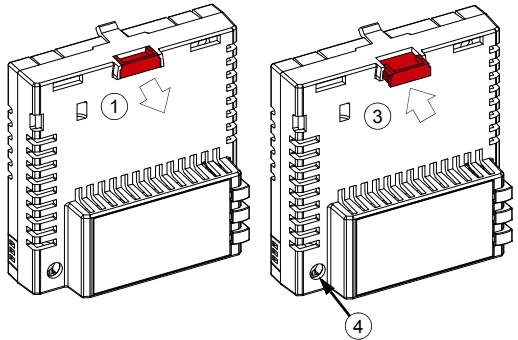
### Safety instructions



**WARNING!** Obey the safety instructions. If you ignore them, injury or death, or damage to the equipment can occur. See the user's manual.

### Mechanical installation

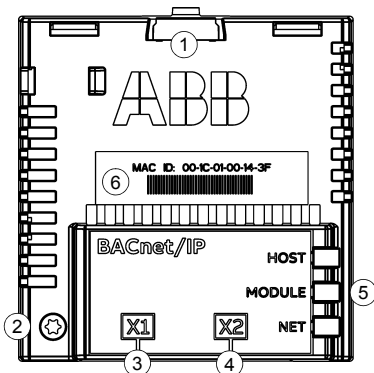
1. Pull out the lock.
2. Install the module carefully to an option module slot of the drive. See the drive hardware manual.
3. Push in the lock.
4. Tighten the screw to torque 0.8 N·m using a Torx TX10 screwdriver.



**WARNING!** Do not use excessive force, or leave the screw too loose. Over-tightening can damage the screw or module. A loose screw decreases the EMC performance, and can even cause an operation failure.

### Electrical installation

#### Layout of the module



No.	Description
1	Lock
2	Mounting and grounding screw
3	RJ-45 connector [X1] to Ethernet
4	RJ-45 connector [X2] for chaining another module
5	Diagnostic LEDs
6	MAC ID

## Start-up

When the module is connected to the drive, the drive control program sets the applicable parameters. See the appropriate drive manual.

### Basic parameter settings

Index	Name	Value
20.01	Ext1 commands	Fieldbus A
22.11	Speed ref1 source	FBAA ref 1
28.11	Frequency ref1 source	FBAA ref 1
50.01	FBA A enable	Enable (or select the option slot in which the module is installed). This activates the communication module. The HOST LED becomes green.
50.02	FBA A comm loss func	Fault
51.04	IP configuration	Set the IP address according your network configuration.
51.05...08	IP address	
51.09	Subnet CIDR	
51.14	Device obj ID lo	Set a unique device object instance value for BACnet devices.
51.15	Device obj ID hi	

To take the settings into use, validate and refresh the parameters with parameter *51.27 FBA par refresh*.

## Further information

See the latest version of *FBIP-21 BACnet/IP adapter module user's manual* (3AXD50000028468 [English]) in ABB library ([www.abb.com/drives/documents](http://www.abb.com/drives/documents)).

For more information on fieldbus options and protocols provided by ABB Drives, see the fieldbus communications web page ([new.abb.com/drives/connectivity/fieldbus-connectivity](http://new.abb.com/drives/connectivity/fieldbus-connectivity)).



*FBIP-21 manual*



*Fieldbus communications web page*



3AXD50000158171A

3AXD50000158171 Rev A (EN) 2017-11-23