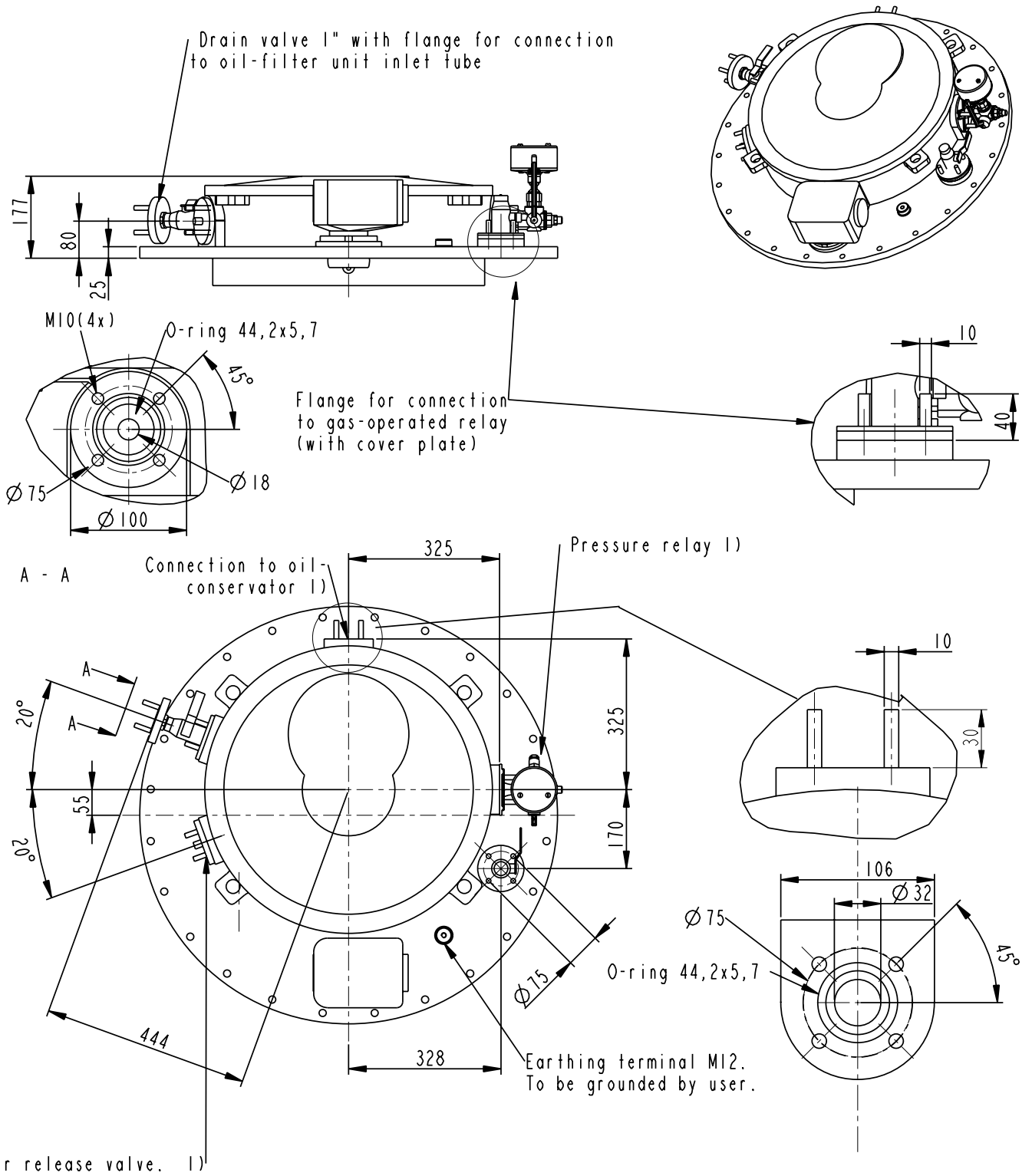


We reserve all rights in this document and in the information contained therein. Reproduction, use or disclosure to third parties without express authority is strictly forbidden. ©ABB

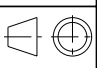
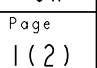

Production engineering review

Design engineering review

Inspection engineering review



Sheet 2 Fig 1-3 for pressure relief valve
Sheet 2 Fig 4 for tempensor TEC + pressure relay

| | | | |
|---|----------------------------------|---|--|
| Based on | Reg. No. | TOP SECTION ACCESSORIES UCL WITH OIL-FILTER UNIT Cover and Active part mounting |  Language en  Page 1(2) |
| Prepared B Hultgren 96-08-13 | Responsible department COM/TK | | |
| Approved M Eriksson | Take over department | | |
| Revision Rev.5 2008-02-01 | Database DIMENSION_DWGS | | |
|  ABB Components | | | |
| Document No. | | 54920086-8 | |

PRESSURE RELIEF VALVE (Flow dia 133mm)

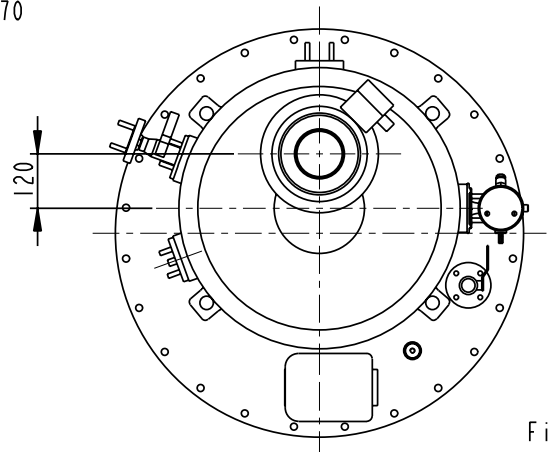
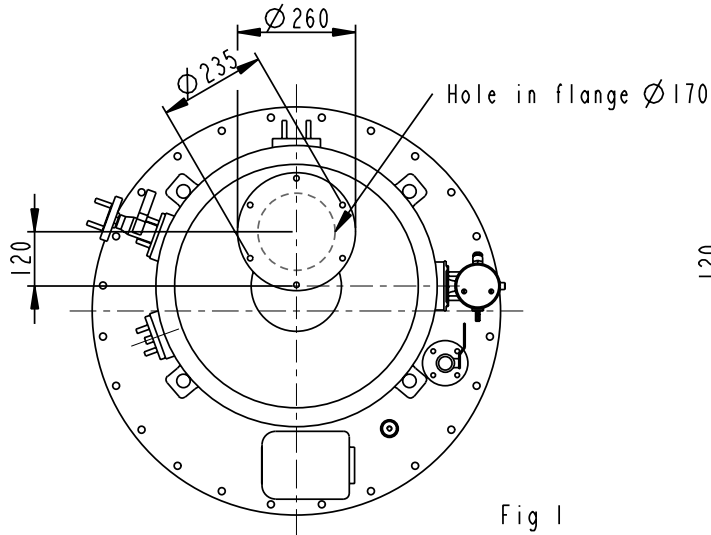
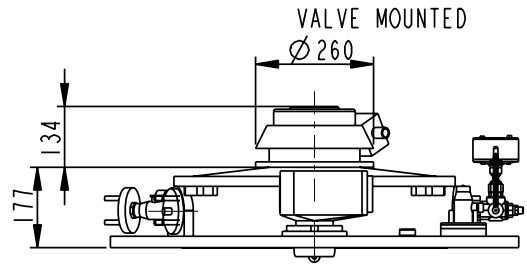
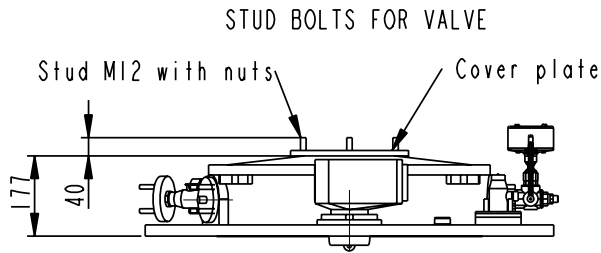


Fig 1

Fig 2

PRESSURE RELIEF VALVE (Flow dia 50mm)
WITH COVER AND SIGNALLING SWITCH

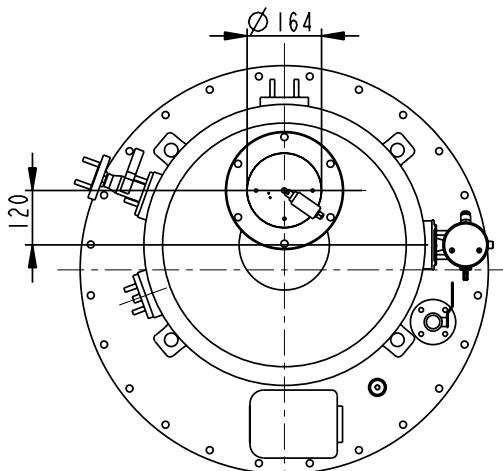
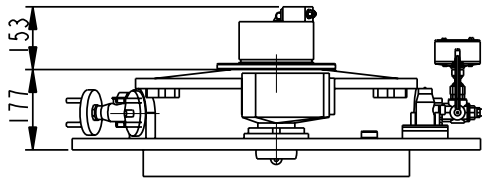


Fig 3

TEMPSENSOR
WITH PRESSURE RELAY MOUNTED AT TEMPSENSOR HOUSING

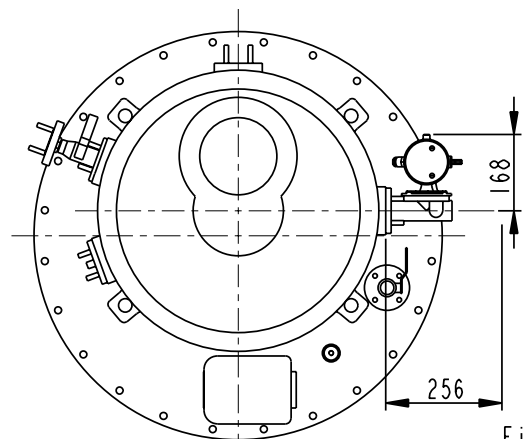
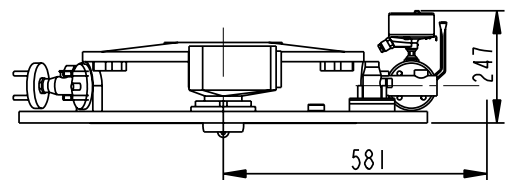


Fig 4

We reserve all rights in this document and in the information contained therein. Reproduction, use or disclosure to third parties without express authority is strictly forbidden. ©ABB

Production engineering review

Design engineering review

Inspection engineering review

| | | | |
|---------------------------------|----------------------------------|--|----------------|
| Based on | Reg. No. | Title TOP SECTION ACCESSORIES UCL WITH OIL-FILTER UNIT Cover and active part mounting | Language en |
| Prepared B Hultgren 96-08-13 | Responsible department COM/TK | | |
| Approved M Eriksson | Take over department | | |
| Revision Rev.5 2008-02-01 | Database DIMENSION_DWGS | | |
| ABB Components | | Document No. | 54920086-8 |



Language
en

Page
2(2)