

ReliaGear® Merchandised XT5 circuit breaker kits, 400 A



These instructions describe the installation of a ReliaGear Merchandised XT5 two- and three-phase main circuit breaker kit into a ReliaGear® lightig panelboard. These kits are not for use in standard, factory-assembled panelboards.

The catalog number for the two-phase kit is MBM324, and the list of parts is found in table 1. The catalog number for the three-phase kit is MBM334 and the lists of parts are found in tables 2 and 3.

Table 1. Parts list for XT5 two-phase breaker subassembly circuit breaker installation kit MBM324.

Item #	Description	Part #	Qty.
1	XT5 breaker	-	1
2	Nut, 5/16-18	N269P23B6	2
3	Screw, steel T-roll 10-32 x 3/8	N722P16006B6	2
4	Metric hex socket head cap screw, M4X95	L15P12095B70	2
5	XT5 - 400 A/600 A top strap	30016666269P2	2
6	XT5 - 400 A/600 A mounting bracket	139C5473P119	1
7	Metric hex socket head cap screw, M10X25	L15P19025B70	2
8	Serrated Belleville washer M10	10110823P1	2
9	Line side barrier XT5	30016895488P4	1
10	Rivet (plastic)	315A7371P3	2
11	XT5 load side BR A&C	30016895488P6	1
14	Shield insert AE	139C5504P200	1
15	Shield insert AQ	139C5504P201	1
16	Screw, steel T-roll 10-32 x 3/8	N722P16006B6	4

Table 2. Parts list for XT5 three-phase breaker subassembly circuit breaker installation kit MBM334.

Item #	Description	Part #	Qty.
1	XT5 breaker	-	1
2	Nut, 5/16-18	N269P23B6	3
3	Screw, steel T-roll 10-32 x 3/8	N722P16006B6	2
4	Metric hex socket head cap screw, M4X95	L15P12095B70	2
5	XT5 - 400 A/600 A top strap	30016666269P2	3
6	XT5 - 400 A/600 A mounting bracket	139C5473P119	1
7	Metric hex socket head cap screw, M10X25	L15P19025B70	3
8	Serrated Belleville washer M10	10110823P1	3
9	Line side barrier XT5	30016895488P4	1
10	Rivet (plastic)	315A7371P3	2
12	XT5 100 mm phase barrier	1SDA107801R1	2
13	XT5 load side BR assembly	30016895488G1	1
14	Shield insert AE	139C5504P200	1
	Shield insert AQ	139C5504P201	1
15	Screw, steel T-roll 10-32 x 3/8	N722P16006B6	4
16	Main label	315A7337P1	1

01 Typical installation of a subassembly ReliaGear Merchandised breaker kit, catalog number MBM324 and MBM334.

Table 3. Parts list for XT5 two-phase or three-phase breaker installation kit, catalog number MBM324 and MBM334.

Item #	Description	Part #	Qty.
1	XT5 breaker	–	1
3	Screw, steel T-roll 10–32 x ¾	N722P16006B6	2
6	XT5 400 A/600 A mounting bracket	139C5473P119	1
10	Rivet (plastic)	315A7371P3	2
11	XT5 load side BR A&C	30016895488P6	1

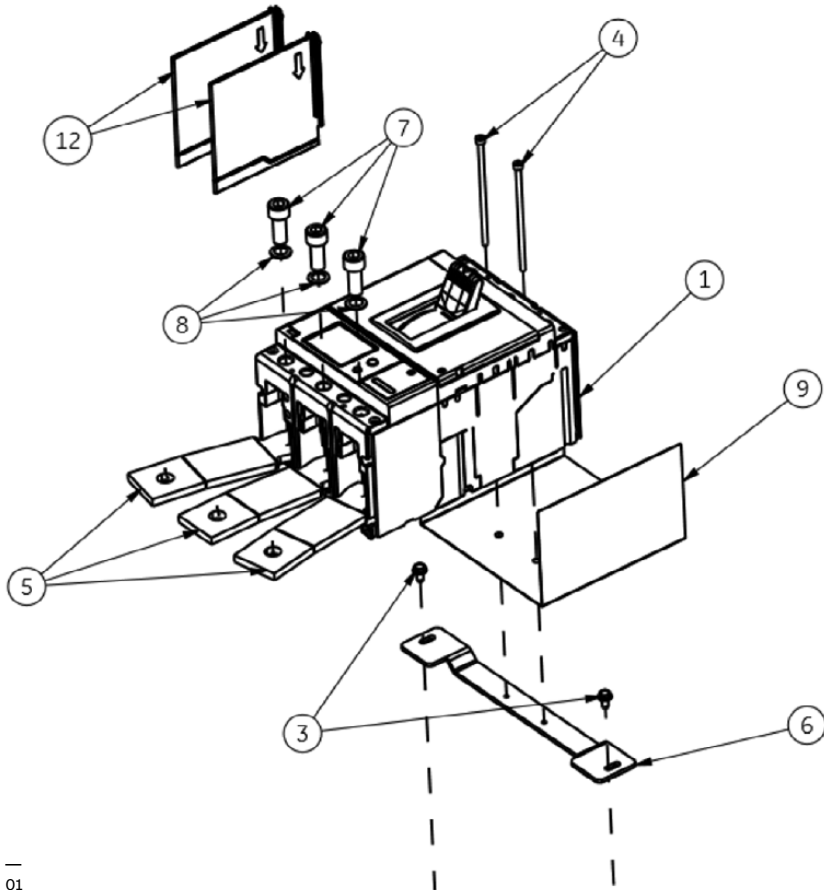
Installation

Use the following procedure to install a ReliaGear® Merchandised XT5 circuit breaker kit into a ReliaGear 400 A lighting panelboard. Call-out numbers in the illustrations and numbers in brackets in the text refer to the item numbers in Tables 1, 2 and 3.

Installation of an MBM324 kit 400 A is illustrated in figures 1 and 2. Installation of MBM334 kit 400 A is illustrated in figures 3 and 4.

WARNING

Before attempting to install one of these kits, remove all power from the panelboard.

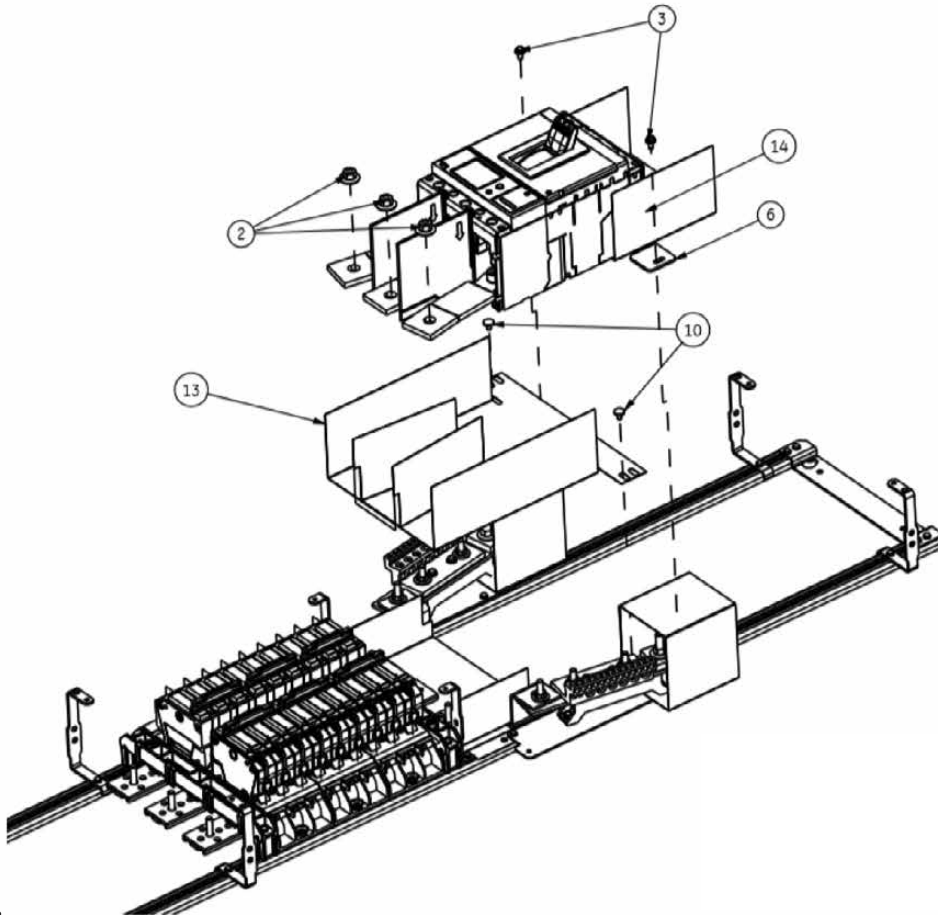
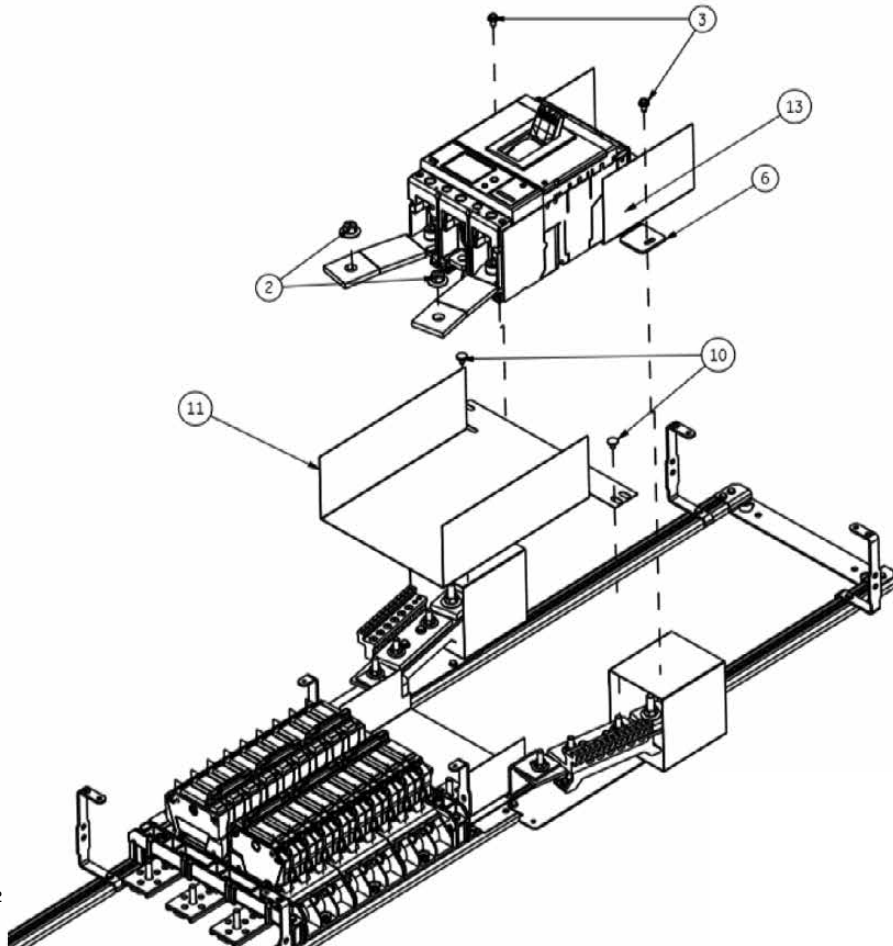


1. Remove the interior assembly from its packaging and verify that all parts are present, as outlined on the packing list.
2. Remove the eight screws securing the shield to the panelboard interior. Lift off the shield and set it and the screws aside.
3. Remove the circuit breaker kit from its packaging and verify that all parts are present, as outlined on the packing list.
4. Subassemble circuit breaker:
 - a. Fasten M4X95 screws [4] into the breaker with line side barrier [9] and XT5 mounting bracket [6].
 - b. Align washers M10 [8] over XT5 top straps [5] and tighten M10X25 screws [7].
 - c. Insert XT5 100 mm between the straps (only for three-phase circuit breaker).
5. Place the load side barrier [11] and tighten it with the plastic rivet [10].
6. Mount the subassembly circuit breaker [1]. Hand tighten T-roll 10–32 screws [3] with mounting bracket holes [6].
7. Align over XT5 top straps [5] over bus bars and fasten the nut ¼–18 [2].
8. Tighten T-roll 10–32 screws [3].
9. Install the shield insert according to the type of breaker installation as follows. Note that each kit is supplied with two shield inserts for 480 V AC panels. Discard the unused insert.
 - a. If this is a main breaker installation, place the shield insert [14] over the shield so that the four same-size holes line up with the threaded holes in the shield, as illustrated in figure 4. Fasten the shield insert to the shield with four #10–32 x ¾ screws [15] tightened to 27–36 in-lb. Attach the MAIN label [16] to the front of the shield insert, as shown in figure 2.
 - b. If this is a subfeed breaker installation, place the new shield insert [14] supplied with the kit over the shield so that the four same-size holes line up with the threaded holes in the shield, as illustrated in figure 4. Fasten the shield insert to the shield with four #10–32 x ¾ screws [15] tightened to 27–36 in-lb.

Note: AQ shield insert has an identification hole; see figure 5.

—
02 Installation of a ReliaGear® Merchandised XT5 two-phase circuit breaker kit, catalog number MBM324, as a main breaker 400 A lighting panelboard.

—
03 Installation of a ReliaGear Merchandised XT5 three-phase circuit breaker kit, catalog number MBM334, as a main breaker 400 A lighting panelboard.

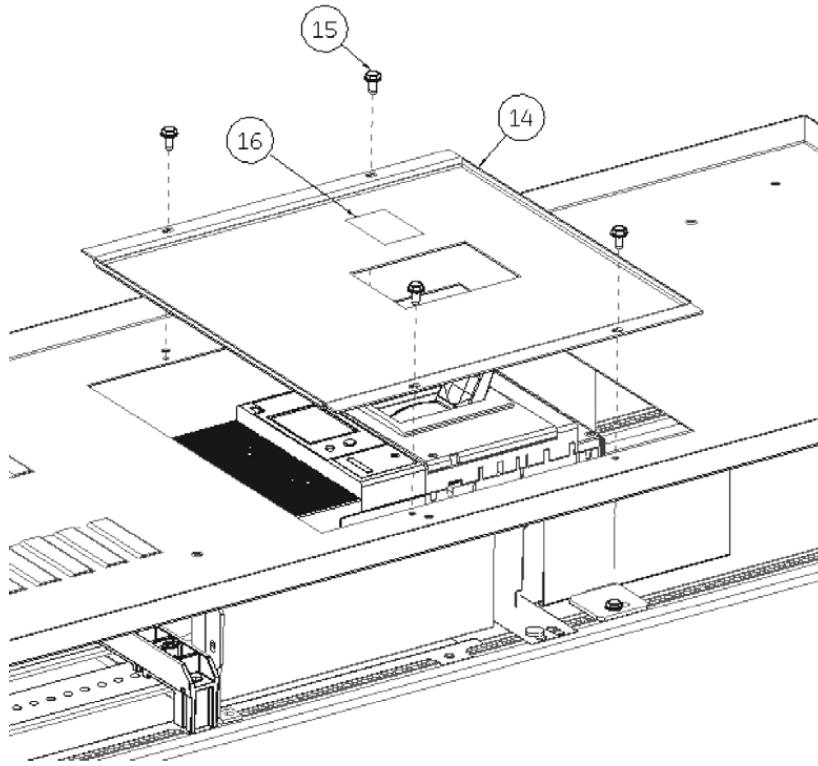


—
02

—
03

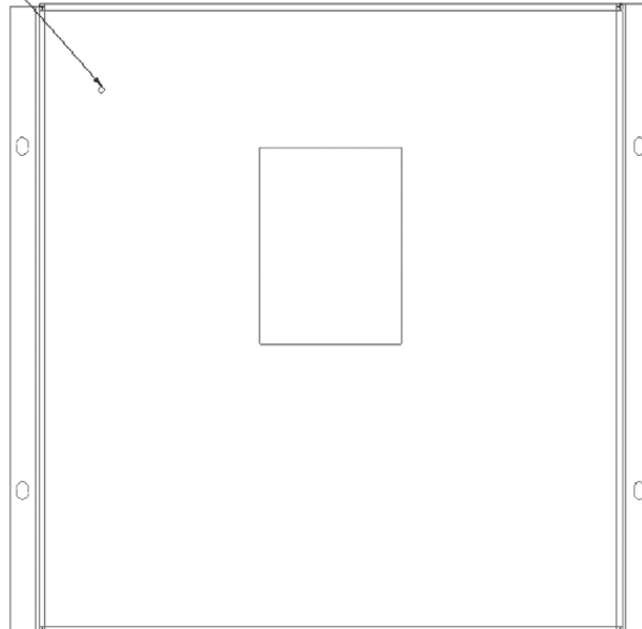
—
04 Attaching the shield insert to the shield for a main breaker installation in all panels or a subfeed breaker in 400 A panels

—
05 AQ shield insert identification



—
04

HOLE FOR IDENTIFICATION
AQ SHIELD INSERT



—
05

—
ABB Inc.
305 Gregson Drive
Cary, NC 27511
electrification.us.abb.com

electrification.us.abb.com

—
We reserve the right to make technical changes or modify the contents of this document without prior notice. With regard to purchase orders, the agreed particulars shall prevail. ABB Inc. does not accept any responsibility whatsoever for potential errors or possible lack of information in this document.

—
We reserve all rights in this document and in the subject matter and illustrations contained therein. Any reproduction, disclosure to third parties or utilization of its contents – in whole or in parts – is forbidden without prior written consent of ABB Inc. Copyright© 2023 ABB
All rights reserved