

NOTES:

1. All installations in hazardous locations must comply with requirements listed by certification drawings related to this equipment. Check for the certification drawing number on the nameplate and follow the specified requirements of this equipment.
2. To access the NGC termination board, remove the Rear End Cap of the unit (a 1/16th Hex Set Screw must be loosened to remove the Cap).

Carrier and Sample Gas Regulators
NOTE:
 DO NOT connect a low pressure switch directly to the NGC. A barrier must be installed for this.
 SEE SHEET 2 for Options

Heater
 120V AC, 400 WATT, Class 1, Div 1
 Totalflow P/N 1800698-001
 Or
 230V AC, 400 WATT, ATEX, Class 1, Zone 1
 Totalflow P/N 1801628-001
 SEE SHEET 6 for Wiring Interconnect
 SEE SHEET 2 for Options

DC POWER & COMM
 Totalflow P/N 2102296-001
 SEE SHEET 3 for RS-232
 SEE SHEET 4 for RS-485
 SEE SHEET 5 for RS-422

NGC8200 Cold Weather Enclosure
 Totalflow P/N 2102298

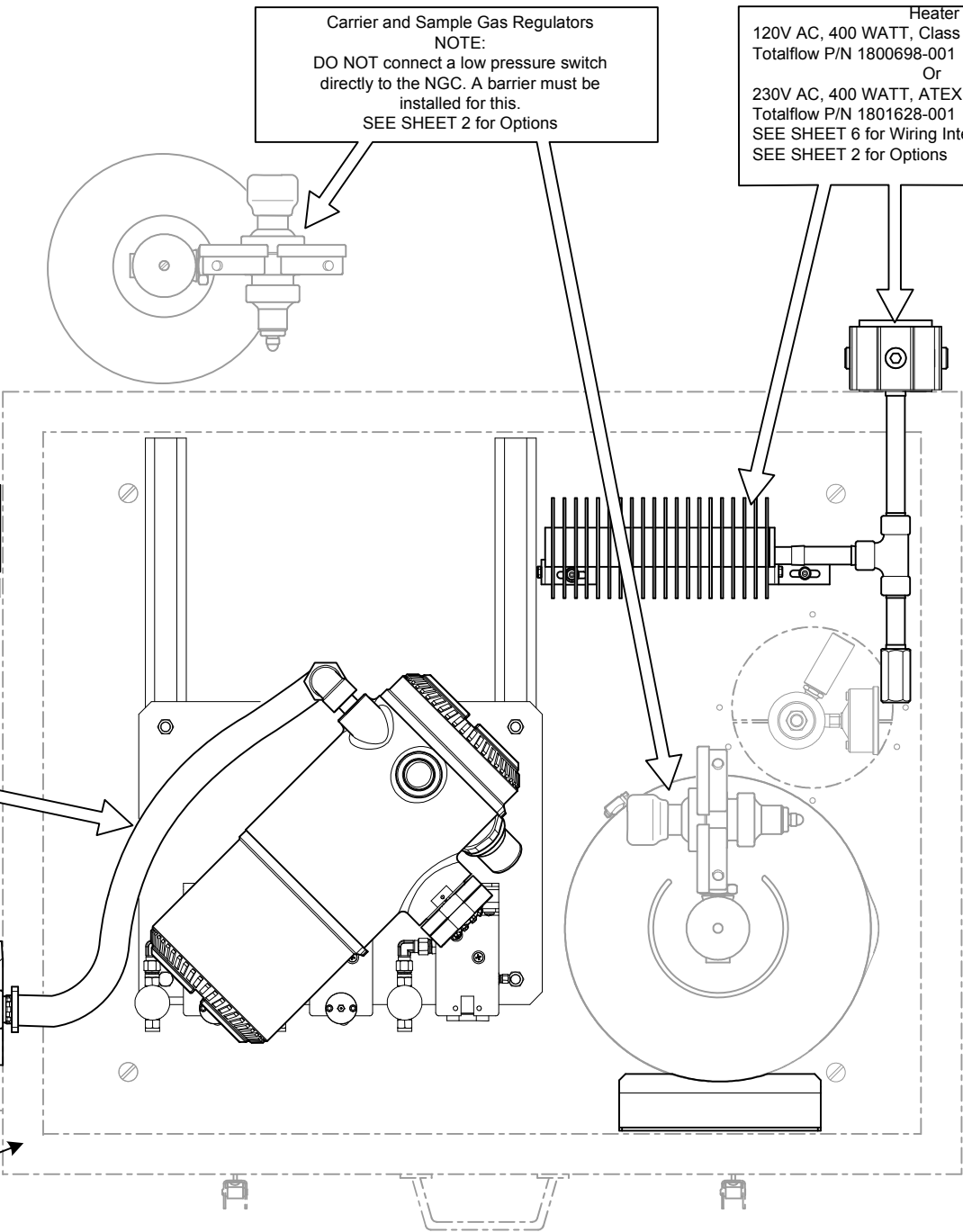


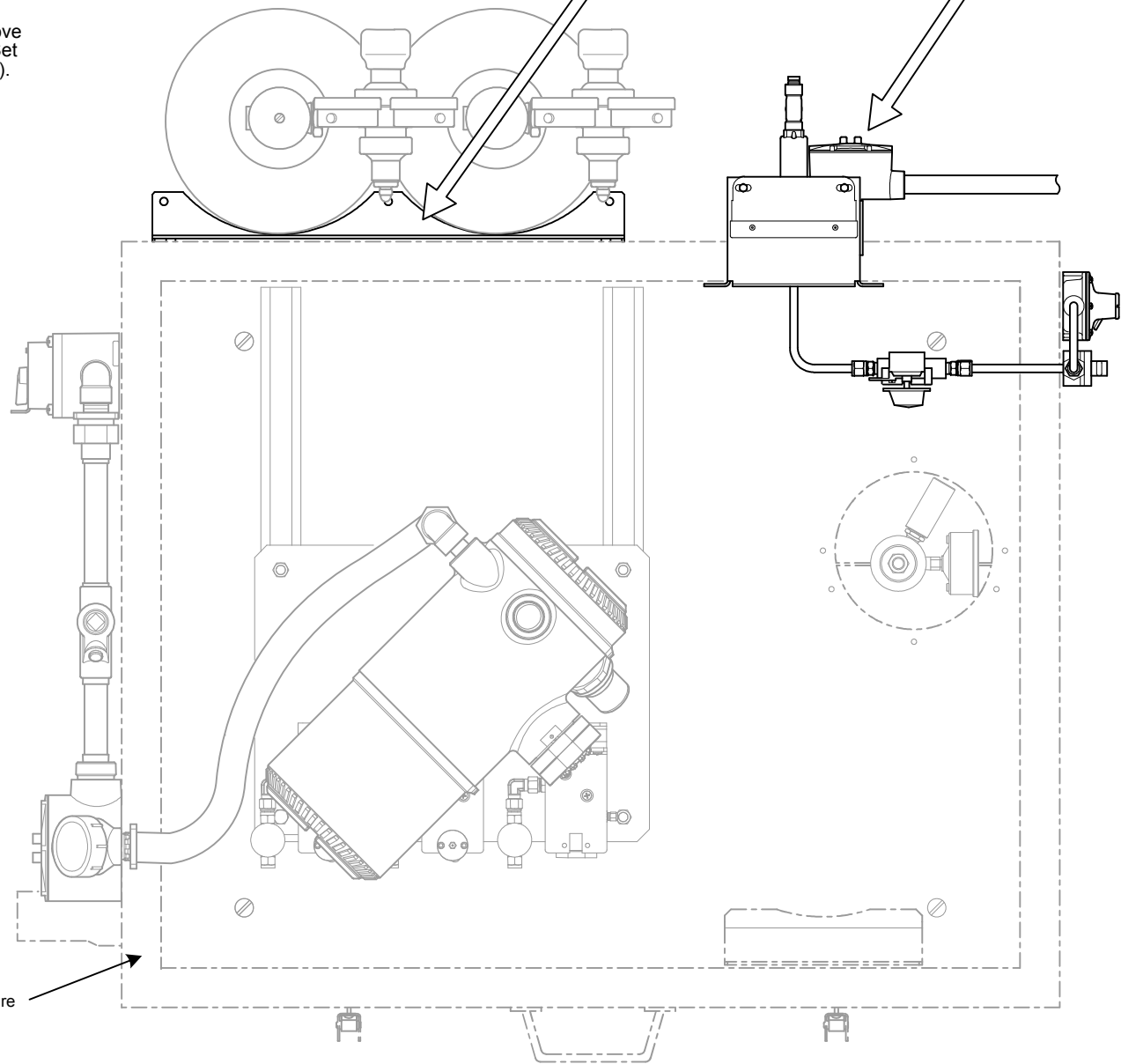
ABB TOTALFLOW Products	ACTION	DOC TYPE	TITLE	DWG NO.	REV	SHEET
	D19398	UD	NGC COLD WEATHER ENCLOSURE WIRING INTERCONNECTS	2102818	AB	1 OF 7

NOTES:

1. All installations in hazardous locations must comply with requirements listed by certification drawings related to this equipment. Check for the certification drawing number on the nameplate and follow the specified requirements of this equipment.
2. To access the NGC termination board, remove the Rear End Cap of the unit (a 1/16th Hex Set Screw must be loosened to remove the Cap).

Bottle Rack Option
 Totalflow P/N 2101076-001
 NOTE: With any Carrier and Sample Gas Regulators, DO NOT connect a low pressure switch directly to the NGC. A barrier must be installed to use those.

Catalytic Heater Option
 Totalflow P/N 1800582-001
 1500 BTU/HR, 12V DC, Bruest # 6-6
 SEE SHEET 7 for Wiring Interconnect



NGC8200 Cold Weather Enclosure
 Totalflow P/N 2102298

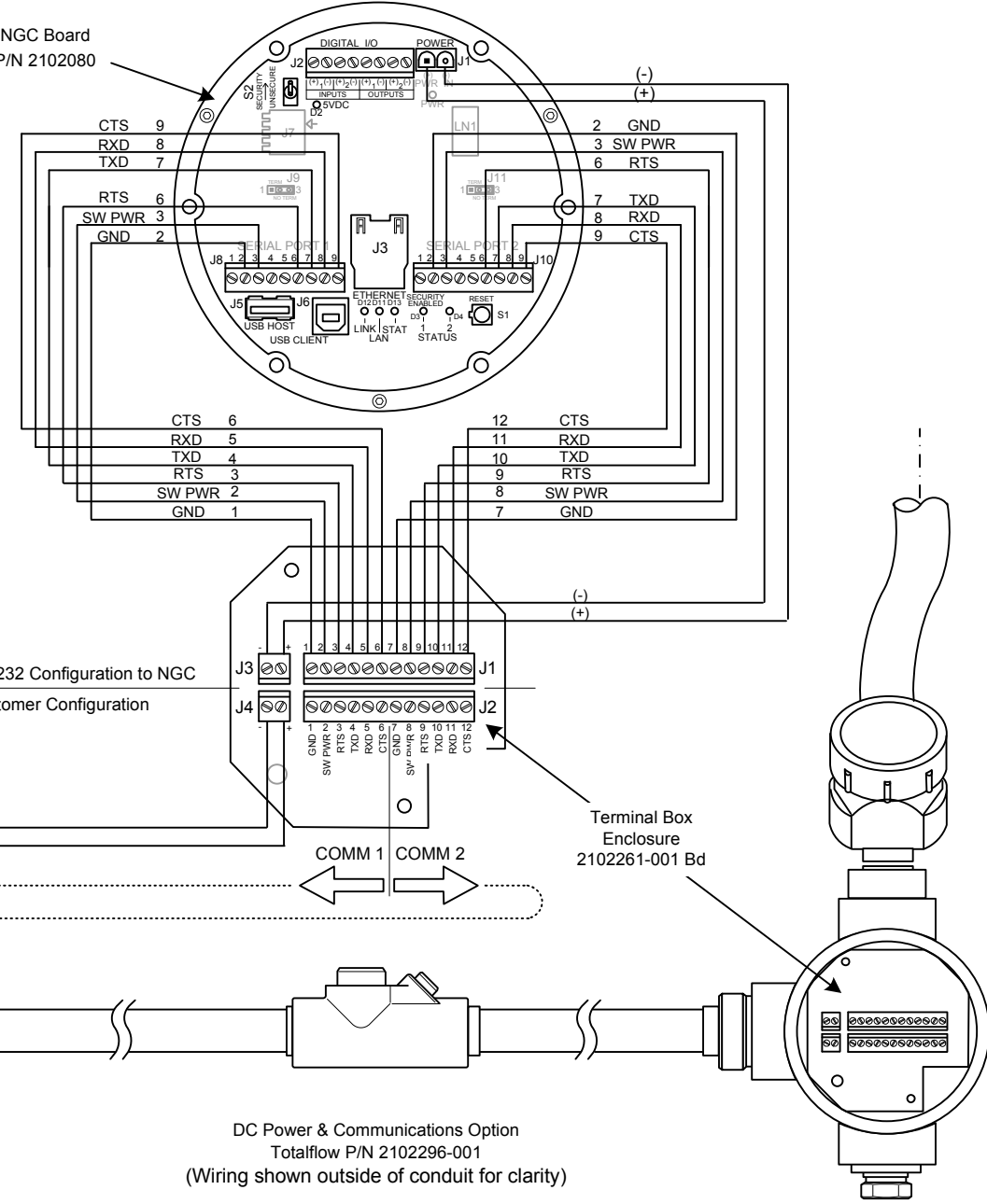
WIRING INTERCONNECTS, OPTIONS

ABB	TOTALFLOW Products	ACTION	DOC TYPE	TITLE	DWG NO.	REV	SHEET
		D19398	UD	NGC COLD WEATHER ENCLOSURE WIRING INTERCONNECTS	2102818	AB	2 OF 7

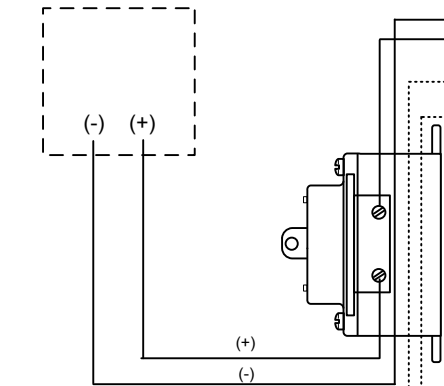
NOTES:

1. All installations in hazardous locations must comply with requirements listed by certification drawings related to this equipment. Check for the certification drawing number on the nameplate and follow the specified requirements of this equipment.
2. To access the NGC termination board, remove the Rear End Cap of the unit (a 1/16th Hex Set Screw must be loosened to remove the Cap).

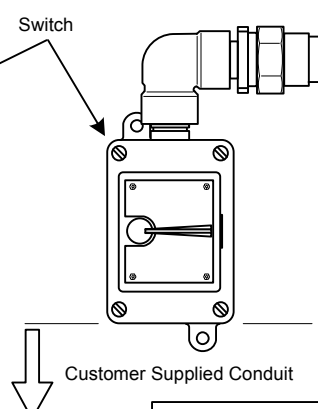
NGC Board
P/N 2102080



12-15V DC Power Supply



To Customer Communications Device



DC Power & Communications Option
Totalflow P/N 2102296-001
(Wiring shown outside of conduit for clarity)

POWER & RS-232 WIRING INTERCONNECT

REF: 2102297-AI

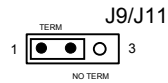
ABB	TOTALFLOW Products	ACTION	DOC TYPE	TITLE	DWG NO.	REV	SHEET
		D19398	UD	NGC COLD WEATHER ENCLOSURE WIRING INTERCONNECTS	2102818	AB	3 OF 7

NOTES:

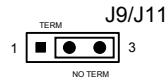
1. All installations in hazardous locations must comply with requirements listed by certification drawings related to this equipment. Check for the certification drawing number on the nameplate and follow the specified requirements of this equipment.
2. To access the NGC termination board, remove the Rear End Cap of the unit (a 1/16th Hex Set Screw must be loosened to remove the Cap).
3. Maximum combined length of RS-485 Buss is 4000 feet.
4. Units must be daisy-chained. No star configurations.

NGC Board
P/N 2102080

TERMINATING 485 PORTS
For Each COMM:
If the NGC unit is the last device on the RS-485 Buss, or if it is the only device, jumper Pin-1 to Pin-3

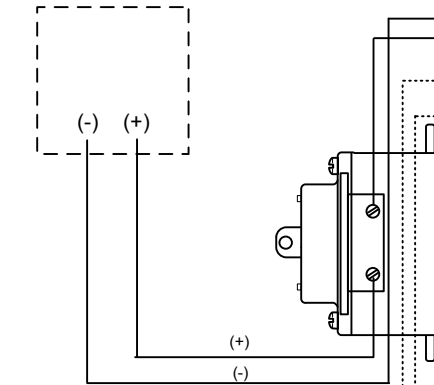


If it is the first in a series, or a part of a series (if it is not the last device), jumper Pin-2 to Pin-3

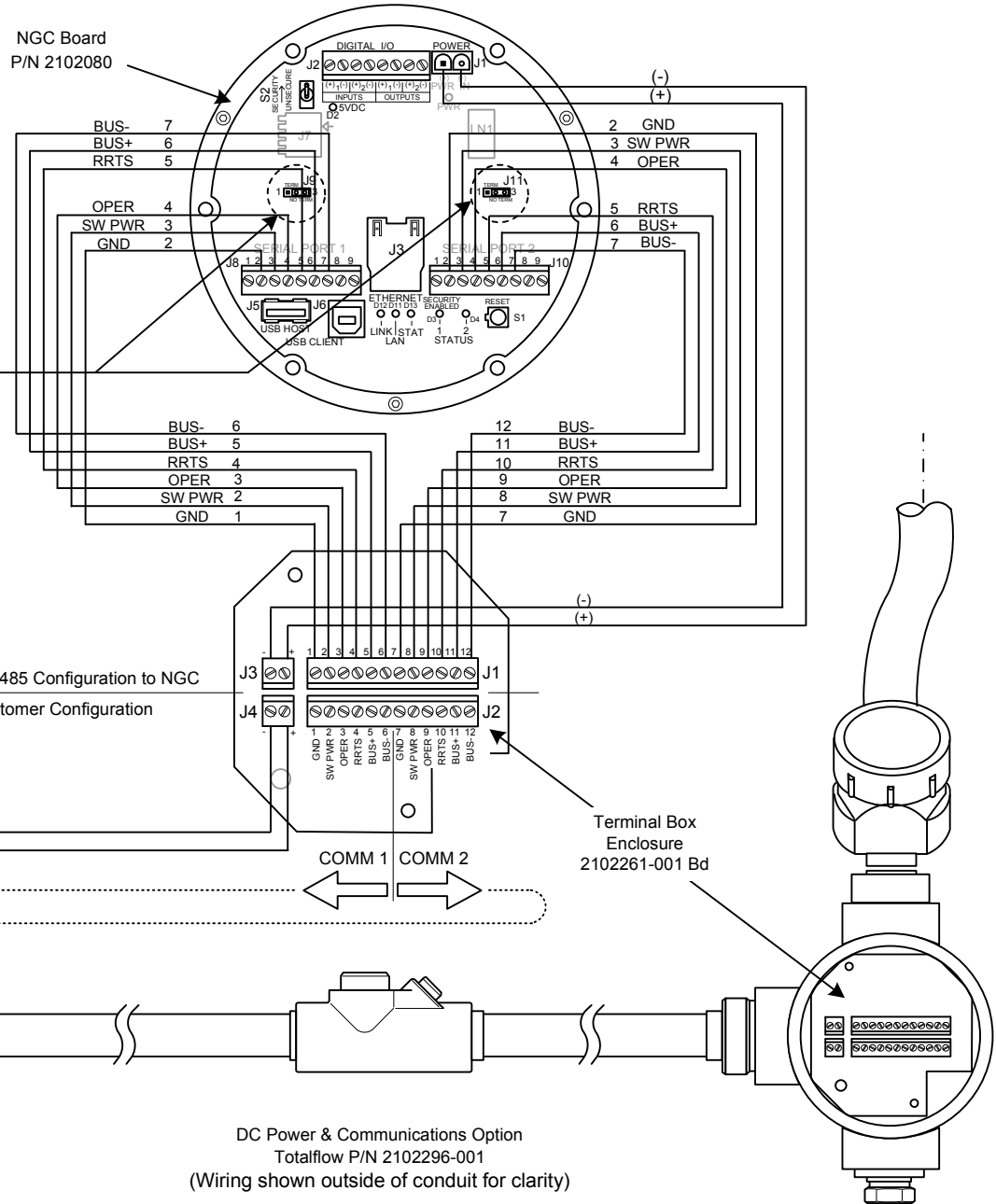
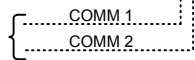


RS-485 Configuration to NGC
Customer Configuration

12-15V DC Power Supply



To Customer Communications Device



DC Power & Communications Option
Totalflow P/N 2102296-001
(Wiring shown outside of conduit for clarity)

POWER & RS-485 WIRING INTERCONNECT

REF: 2102297-AI

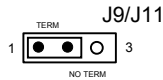
ABB TOTALFLOW Products	ACTION	DOC TYPE	TITLE	DWG NO.	REV	SHEET
	D19398	UD	NGC COLD WEATHER ENCLOSURE WIRING INTERCONNECTS	2102818	AB	4 OF 7

NOTES:

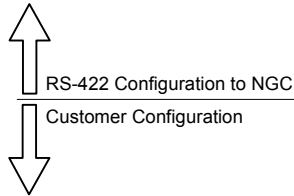
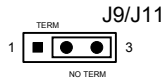
1. All installations in hazardous locations must comply with requirements listed by certification drawings related to this equipment. Check for the certification drawing number on the nameplate and follow the specified requirements of this equipment.
2. To access the NGC termination board, remove the Rear End Cap of the unit (a 1/16th Hex Set Screw must be loosened to remove the Cap).
3. Maximum combined length of RS-422 Buss is 4000 feet.
4. Units must be daisy-chained. No star configurations.

NGC Board
P/N 2102080

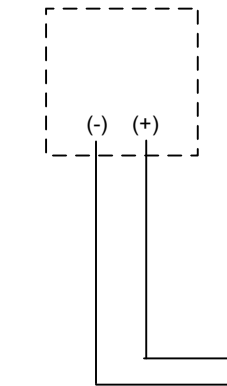
TERMINATING 422 PORTS
For Each COMM:
If the NGC unit is the last device on the RS-422 Bus, or if it is the only device, jumper Pin-1 to Pin-2



If it is the first in a series, or a part of a series (if it is not the last device), jumper Pin-2 to Pin-3

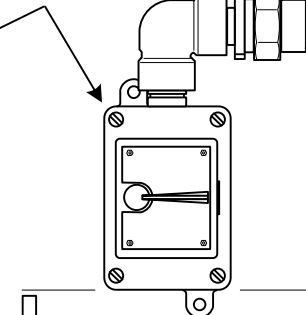


12-15V DC Power Supply

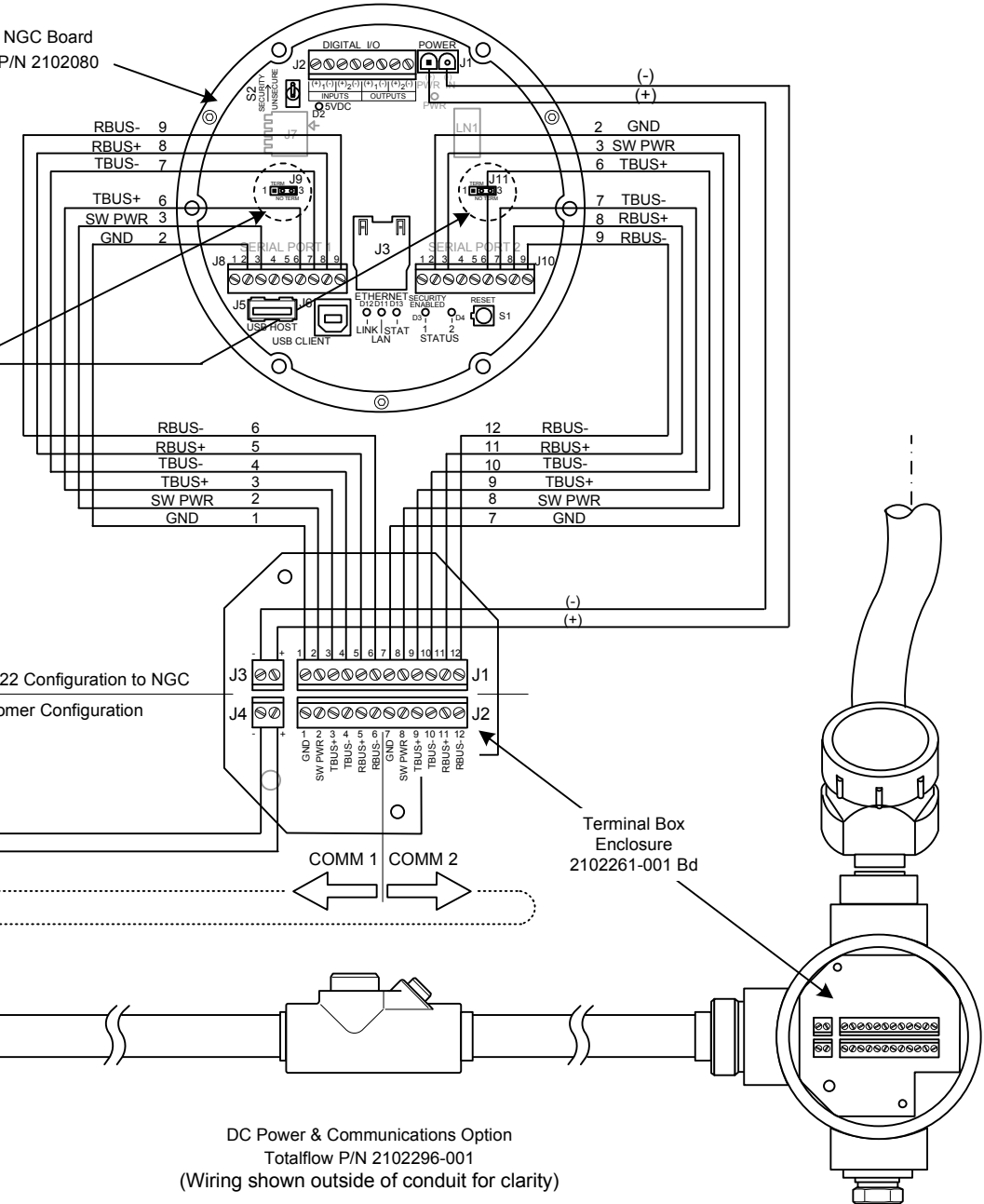


To Customer Communications Device

Switch



Customer Supplied Conduit



DC Power & Communications Option
Totalflow P/N 2102296-001
(Wiring shown outside of conduit for clarity)

POWER & RS-422 WIRING INTERCONNECT

REF: 2102297-AI

ABB	TOTALFLOW Products	ACTION	DOC TYPE	TITLE	DWG NO.	REV	SHEET
		D19398	UD	NGC COLD WEATHER ENCLOSURE WIRING INTERCONNECTS	2102818	AB	5 OF 7

NOTES:

1. All installations in hazardous locations must comply with requirements listed by certification drawings related to this equipment. Check for the certification drawing number on the nameplate and follow the specified requirements of this equipment.
2. To access wiring, remove the End Cap of the explosion-proof unit

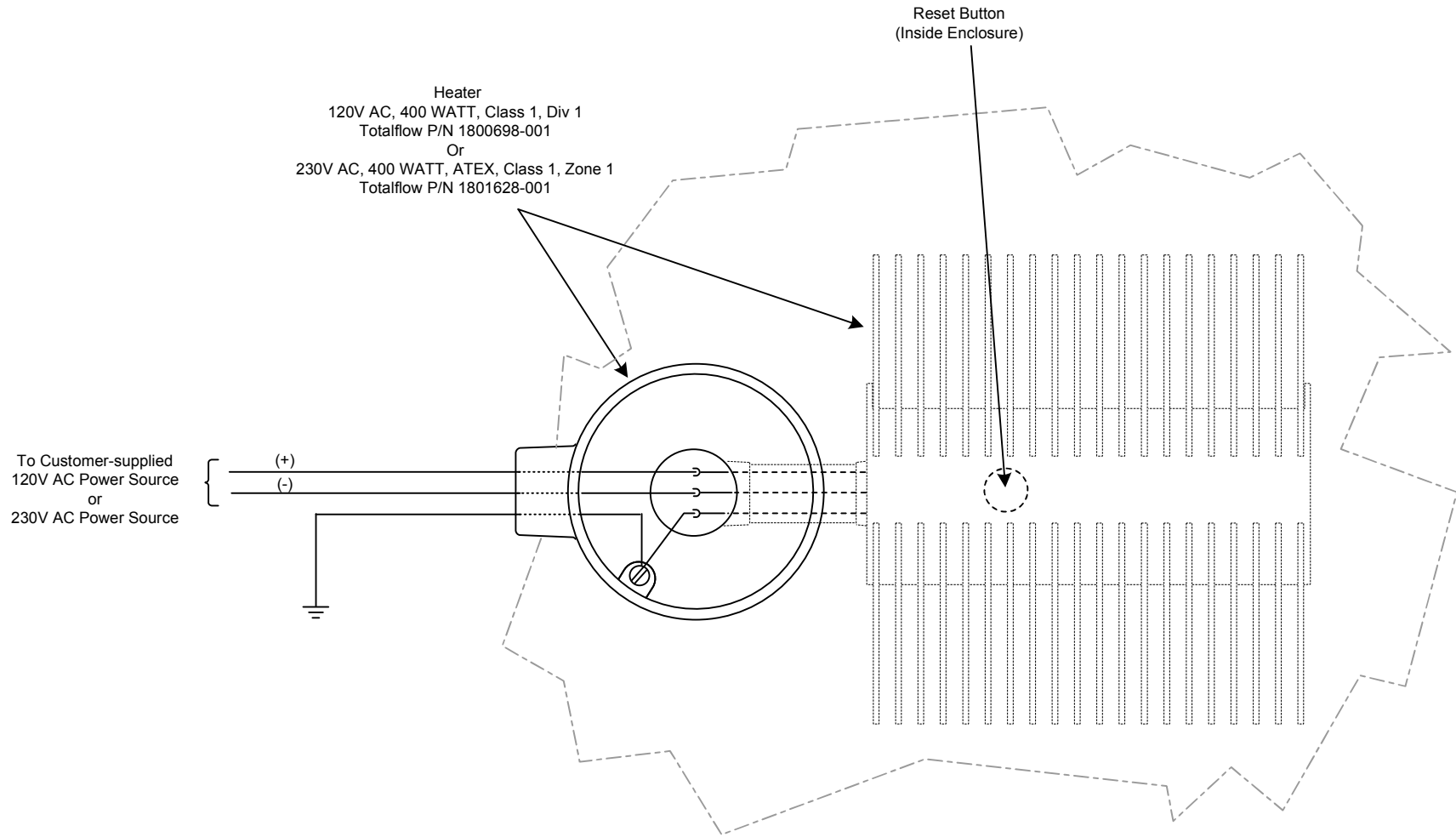
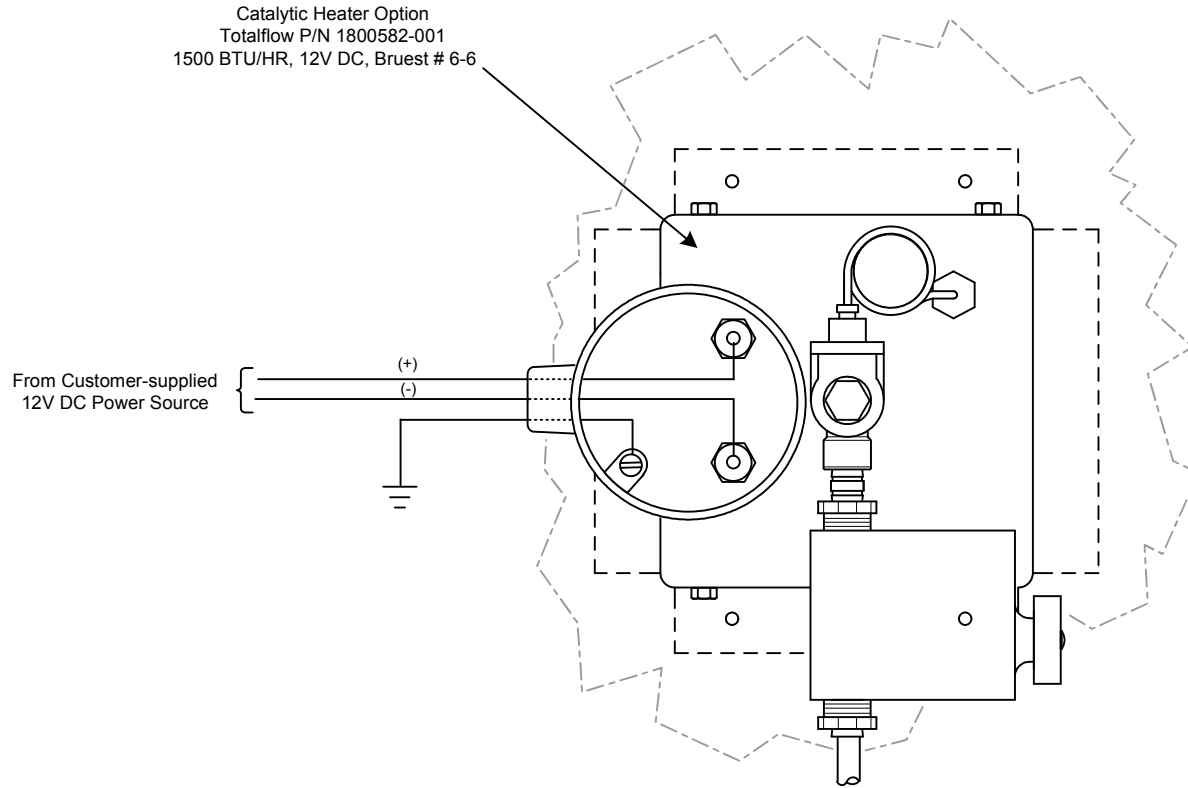


ABB TOTALFLOW Products	ACTION	DOC TYPE	TITLE	DWG NO.	REV	SHEET
	D19398	UD	NGC COLD WEATHER ENCLOSURE WIRING INTERCONNECTS	2102818	AB	6 OF 7

NOTES:

1. All installations in hazardous locations must comply with requirements listed by certification drawings related to this equipment. Check for the certification drawing number on the nameplate and follow the specified requirements of this equipment.
2. To access wiring, remove the End Cap of the explosion-proof unit



CATALYTIC HEATER OPTION

ABB	TOTALFLOW Products	ACTION	DOC TYPE	TITLE	DWG NO.	REV	SHEET
		D19398	UD	NGC COLD WEATHER ENCLOSURE WIRING INTERCONNECTS	2102818	AB	7 OF 7