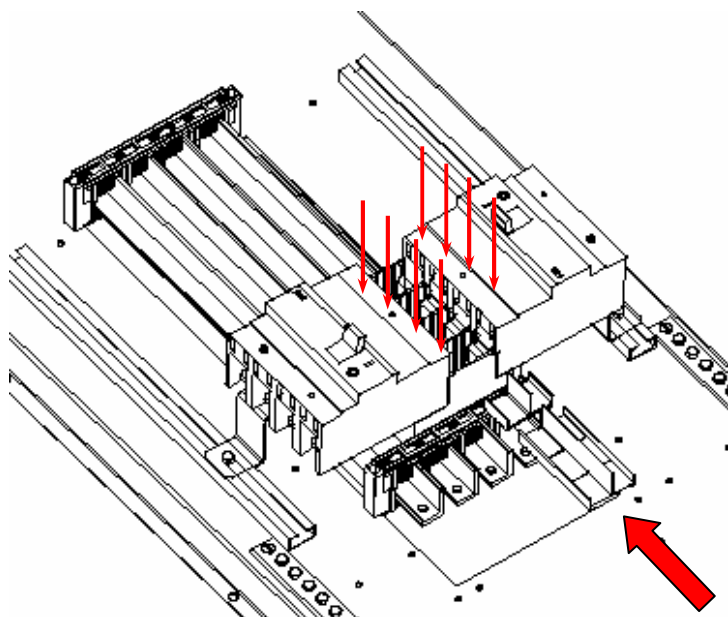
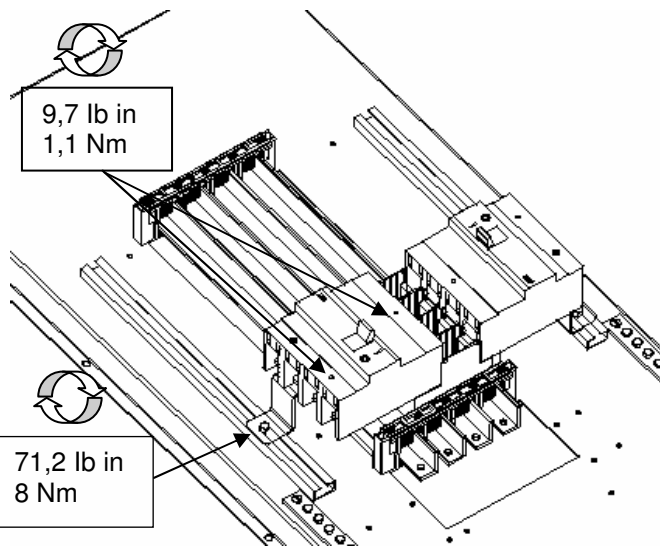
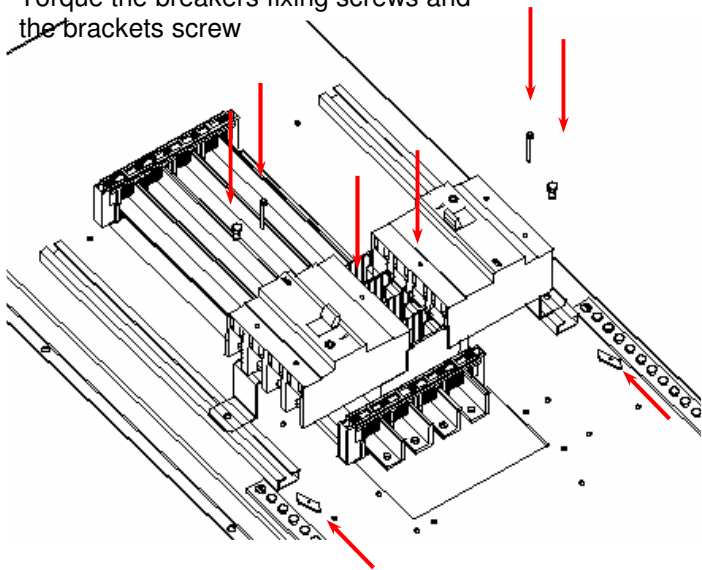


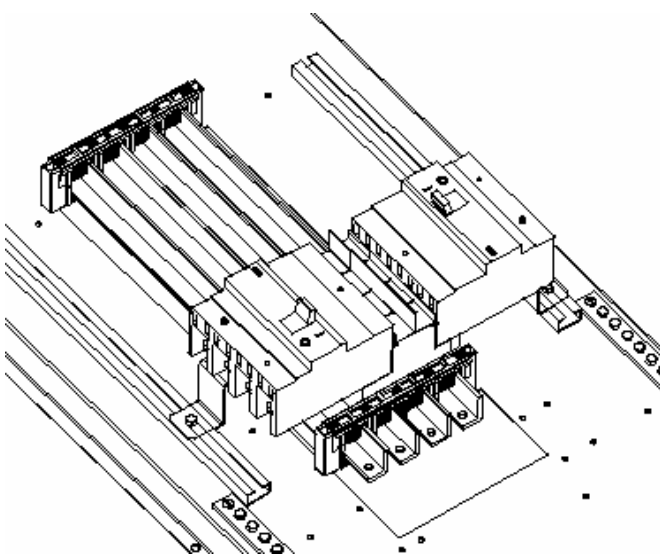
ArTu® PB

Install the first breaker
 Install the second breaker
 Torque the breakers fixing screws and
 the brackets screw



Torque the breakers terminals

T1	62.2 lb in	7 Nm
T2	53.3 lb in	6 Nm
T3	71.1 lb in	8 Nm



For the proper tightening torque of the
 outgoing terminals refer to the MCCB's
 installation handbook