



600MCM Neutral Bus Kit: TMBP2000N

Instructions for the Installation of 600MCM (KC MIL) Neutral Bus Kit



Please read these instructions completely before installing or removing device. Improper installation could be hazardous to personnel and/or equipment.

Por favor lea estas instrucciones en su totalidad antes de instalar o mover el aparato. Una instalacion inapropiada puede ser peligrosa para el personal y/o el equipo.

Veillez lire les présentes directives au complet avant d'installer ou de retirer le dispositif. Une mauvaise installation pourrait causer des blessures au personnel et/ou endommager l'équipement.

KIT CONTAINS:

QTY	DESCRIPTION
1	NEUTRAL BUS
3	TERMINAL 600 MCM (LUGS)
6	3/8-16 x 1.25 HEX HEAD BOLT
6	3/8 CONICAL WASHER

TOOLS REQUIRED:

- RATCHET
- 3/4 SOCKET
- 3/8 HEX SOCKET WRENCH
- TORQUE WRENCH

1. Turn "OFF" power supplying the device.
2. Remove and retain the 3/8-16 x 1.00 hex head bolt and 3/8 conical washer and Ground lug (items 1,2,3) as shown in Fig. 1 below.
3. Remove and retain 3/8-16 X 2.00 hex head bolts (item 5) as shown in Fig. 1
4. Remove and discard existing lug (item 4) as shown in Fig. 1.

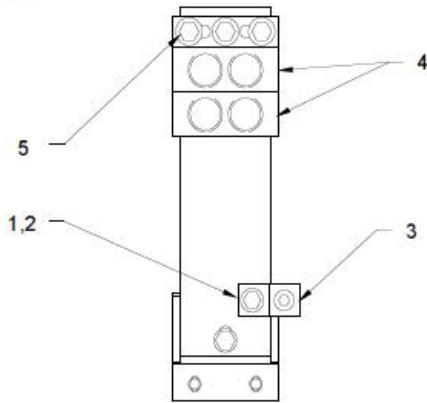


Fig. 1

5. Install the new neutral bus and 3/8-16 X 2.00 hex head bolts as shown in Fig. 2 below (item 6,5)
6. Install the new lugs, 3/8-16 X1.250 hex head bolts and 3/8 conical washers as shown in Fig. 2 below (item 7,8,9)
7. Torque 3/8-16 X 1.250 hex head bolts to 25 ft-lb.
8. Install the 3/8-16 X 1.00 hex head bolt, 3/8 conical washer and Ground lug (items 1,2,3) as shown in Fig. 2 below.

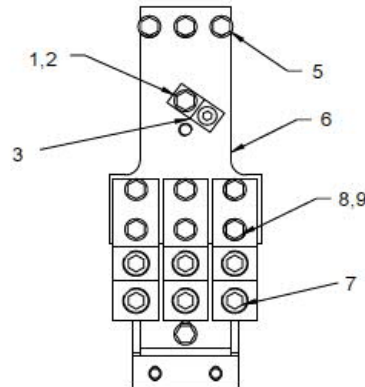


Fig. 2

GE Industrial Solutions