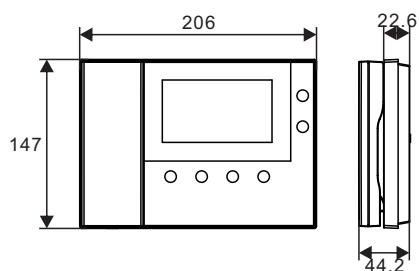
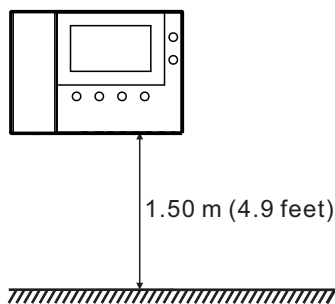


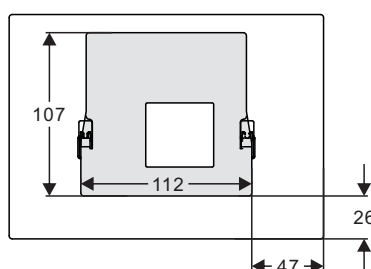
Product dimension (unit: mm)



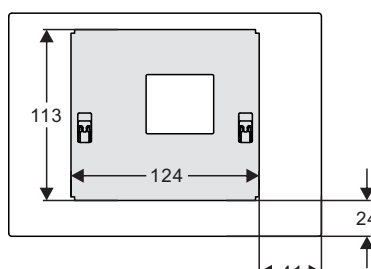
Installation height



Mounting bracket size (unit: mm)



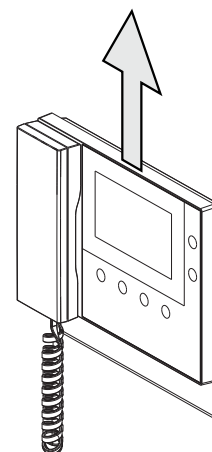
Mounting bracket A



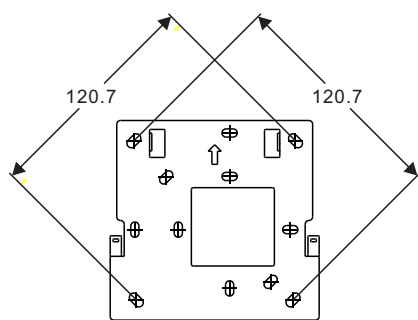
Mounting bracket B

- Mounting bracket A works in all countries, including the U.S.
- Mounting bracket B only works in the U.S.

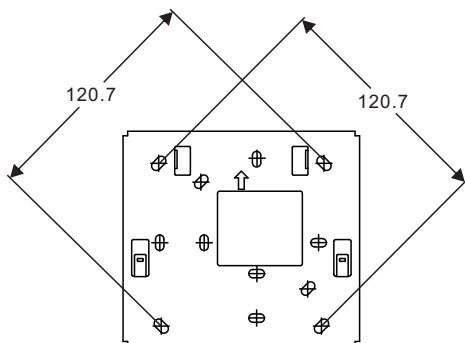
Dismantle



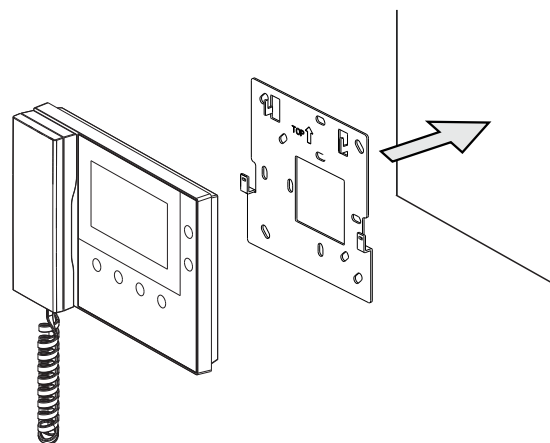
Surface mounted without the electrical accessory box (unit: mm)



Mounting bracket A



Mounting bracket B

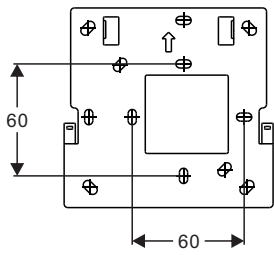


Take Mounting bracket A as an example — Mounting Bracket B has the same installation process.

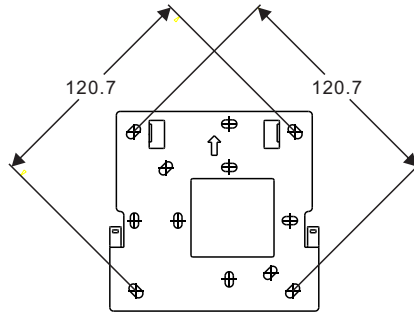
- Mounting bracket A works in all countries, including the U.S.
- Mounting bracket B only works in the U.S.

Surface mounted with the electrical accessory box (unit: mm)

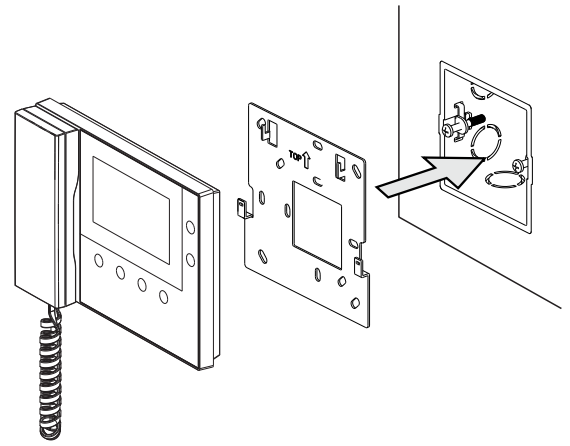
Mounting bracket A



VDE&BS&CN

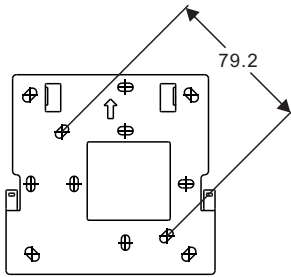


NEMA (America)

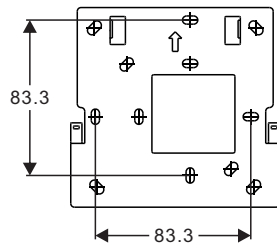


Take Mounting bracket A as an example — Mounting Bracket B has the same installation process.

- Mounting bracket A works in all countries, including the U.S.
- Mounting bracket B only works in the U.S.

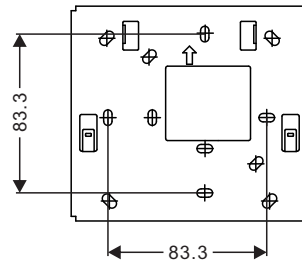
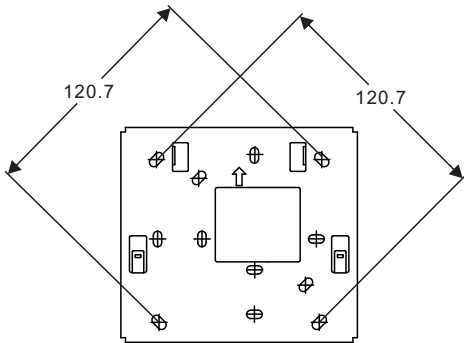


Swiss



NEMA & Italy

Mounting bracket B



Desktop mounted (unit: mm)

