
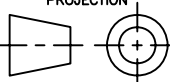


REVISIONS

REV	ACTION	DRAWN	CHECKED	APPROVED	DATE
AD	D20731	KASTNER	KASTNER	BUSHNELL	07/09/06
AB	D15944	KASTNER	KASTNER	BUSHNELL	04/06/17
AC	D16854	KASTNER	KASTNER	BUSHNELL	05/03/10

NOTES:

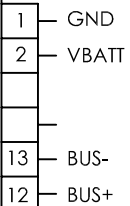
- 1 FOR RTD INSTALLATION - REMOVE JUMPERS FROM XMV TERMINALS 11-12, 13-14 AND THE 178Ω RESISTOR FROM TERMINALS 12-14.
- 2 THE RS485 BUSS MUST BE WIRED IN A DAISY-CHAIN CONFIGURATION. STAR CONFIGURATIONS ARE NOT ALLOWED.
- 3 BUSS TERMINATIONS - THE RS485 BUSS IS TERMINATED ON THE HOST END WITH JUMPERS. THE LAST XMV ON THE BUSS SHOULD BE TERMINATED WITH A 124Ω (120Ω - 250Ω IS ACCEPTABLE) RESISTOR ACROSS THE COMM+ AND COMM- TERMINALS. THE 178Ω RESISTOR DISCARDED IN NOTE 1 IS ACCEPTABLE FOR BUSS TERMINATION. MOST RS485 BUSS INSTALLATIONS DO NOT REQUIRE BUSS TERMINATION FOR CORRECT OPERATION.

ASSEMBLY/QUANTITY		ITEM NO.	PART NUMBER	DESCRIPTION	REF/ZONE DESIG MATERIAL	UNIT MEAS
001						
DO NOT SCALE DRAWING		UNLESS OTHERWISE SPECIFIED DIMENSIONS ARE IN INCHES		PRODUCT LINE TOTALFLOW®	LEVEL 3	 TOTALFLOW Products
THIRD ANGLE PROJECTION		TOLERANCES ARE: DECIMAL            ANGULAR .XX ±                ± - .XXX ±              -		DESIGN H. HOOVER	DATE 04/05/27	
		BREAK ALL SHARP CORNERS AND EDGES DIMENSIONS APPLY BEFORE FINISH		DRAWN A. KASTNER	DATE 04/05/28	
				CHECKED A. KASTNER	DATE 04/05/28	
				APPROVED J. BUSHNELL	DATE 04/05/28	
				SCALE NONE	SIZE B	DOC TYPE WI
				DRAWING NO. 2101576	REV AD	SHEET 1 OF 2

6413/6414 XFC

FCU195 PCBA  
2100204-XXX  
XFC G4 PCBA  
2102838-XXX

COMM 2  
RS485 COMM  
MODULE



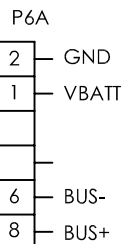
BUSS TERMINATION



6490 XRC

RTU195 PCBA  
2100355-XXX  
XRC G4 PCBA  
2103022-XXX

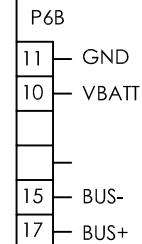
COMM 1  
RS485 COMM  
MODULE



BUSS TERMINATION



COMM 2  
RS485 COMM  
MODULE



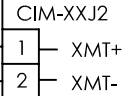
BUSS TERMINATION



TFIO CIM-XX

2100421-003

CIM-XX



BUSS TERMINATION

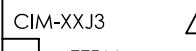
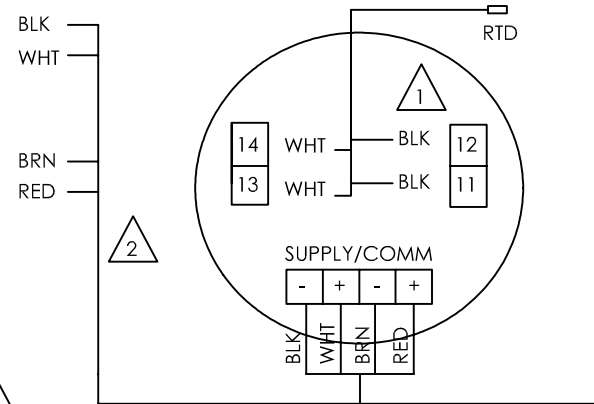
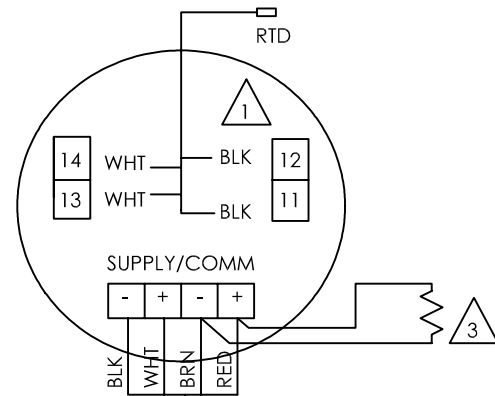


ABB XMV  
MULTIVARIABLES  
1641020-XXX  
1641021-XXX



2011648-001  
RS485 CABLE,  
6 CONDUCTOR