

GEH4546 INSTRUCTIONS

Power Break[®], Power Break[®] II, R Frame, and HPC Switch Lugs & Adapters for 800-2000 A Frames

WARNING: Before beginning any installation or maintenance of lugs or adapters on a breaker or switch, disconnect it from all voltage sources, both power and control, and ensure that the breaker is off (open). Closing springs of Power Break II breakers must also be discharged

ATTENTION: Avant d'entreprendre toute installation ou toute maintenance de kits d'adaptation ou de bornes de raccordement sur un disjoncteur ou un interrupteur, déconnecter l'appareil de toute tension d'alimentation (puissance et contrôle) et assurer vous qu'il est en position ouverte. Les ressorts de fermeture des disjoncteurs Power Break II doivent être également déchargés.

Introduction

Before installing any of these accessories, remove all foreign matter from the line and load strap surfaces and the corresponding surfaces of any installed accessory. Be sure mating surfaces are free of burrs. Refer to the current BuyLog[®], GEP1100, for specific uses of the various lugs and adapters covered in these instructions. The recommended bolt tightening torques for these accessories are listed in Table 1.

Bolt Type	Torque(in-lbs)
3/8-16 hex bolt	200-250
1/2-13 hex bolt	275-350
5/16" Allen-head lug screw	275
3/8" Allen-head lug screw	375

Table 1. Recommended bolt-tightening torques.

Direct Mounting Lugs

These lugs bolt directly to the line or load strap of the circuit breaker or switch. Lug installation is illustrated in Figure 1 for 400A and 600A applications and in Figure 2 for 800 A and 1600 A. Lug catalog numbers are listed in Table 2.

Cat. No.	Wires	Wire Sizes	Amps
TPLCG106	1	#2-600 kcmil CU/AL	400
	2	1/0-250 kcmil CU/AL	
TPLUG206	2	#2-600 kcmil CU/AL	600
TPLUG308	3	300.750 kcmil CU/AL	800
THPCLUG308	3	300-750 kcmil CU/AL	800
TPLUG408	4	500-800 kcmil CU/AL	1600
THPCLUG408	4	500-800 kcmil CU/AL	1600

Table 2. Catalog numbers of direct-mounting lugs.

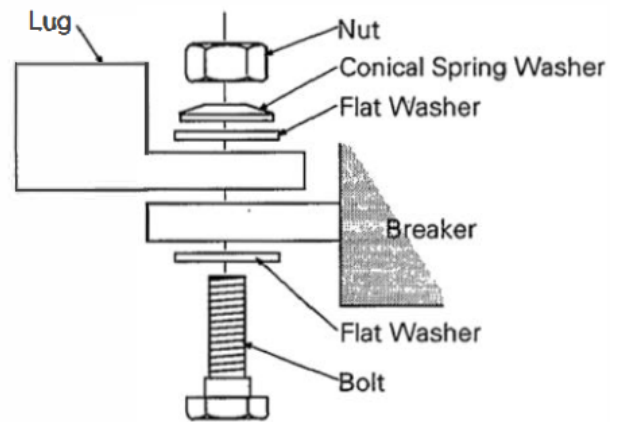


Figure 1. Typical assembly of direct-mounting lugs for 400-600 A applications.

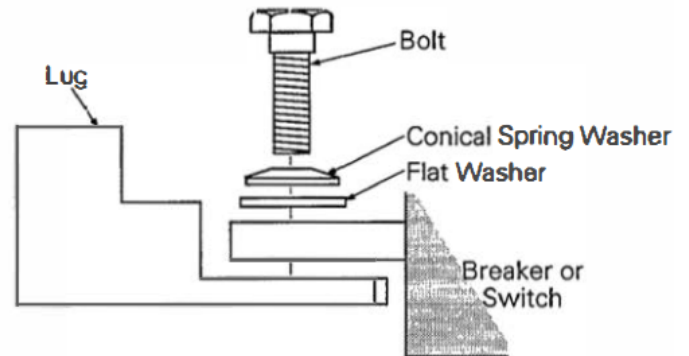


Figure 2. Typical assembly of direct-mounting lugs for 800-1600 A applications.

Bus Adapters (T-Studs)

Bus adapters bolt directly to the line or load terminals of the circuit breaker or switch. Bus adapter installation is illustrated as follows:

- Figure 3 for catalog numbers TPOSFCA, SPOSFCA, and SPOBFCC.
- Figure 4 for catalog numbers TP16FCA, SP20FCA, and SP20FCC.
- Figure 5 for catalog number THPCOSFCA.

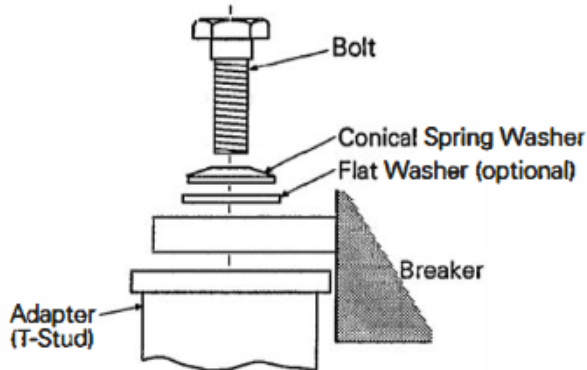


Figure 3. Assembly of bus adapter, catalog numbers TP08BFCA, SPOBFCA, and SPOBFCC.

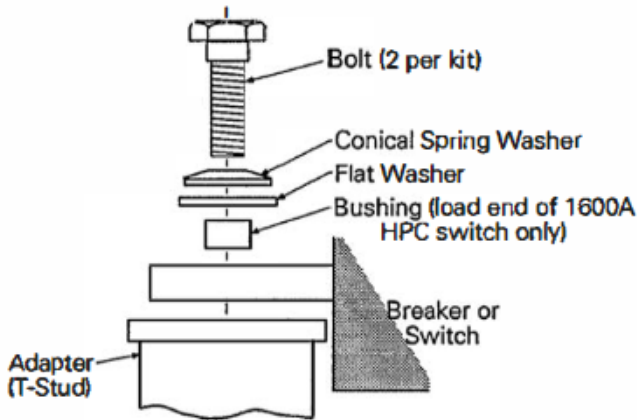


Figure 4. Typical assembly of bus adapter, catalog numbers TP16FCA, SP20FCA, and SP20FCC.

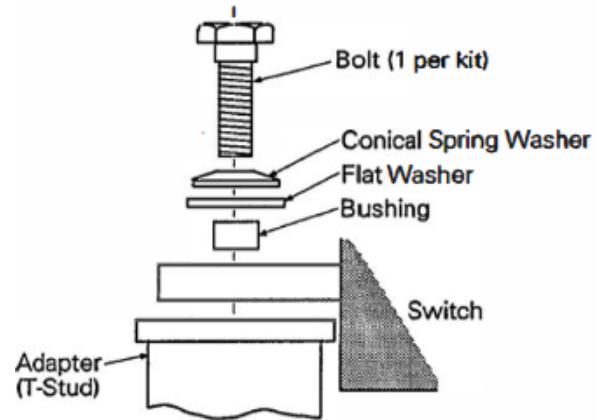


Figure 5. Typical assembly of bus adapter, catalog number THPCOBFCA.

Lug Adapters

Lug adapters bolt directly to the line or load terminals on the rear of the circuit breaker or switch. They provide proper phase-to-phase clearances for mounting lugs.

Assembly of lug adapters is illustrated as follows:

- Figure 6 for catalog number TPLUGA08 to an 800 A frame breaker.
- Figure 7 for THPCLUGA08 to an 800 A frame THPR switch.
- Figure 8 for TPLUGA16 to a 1600 A frame breaker or switch.
- Figure 9 for TPLUGA20 to a 2000 A frame breaker (other than Power Break II).
- Figure 10 for SPLUGA20 to a 2000 A frame Power Break II breaker.

These adapters accept lugs TPLUG108, Anderson Crimp Lugs VCEL 075-12HI, or equivalent.

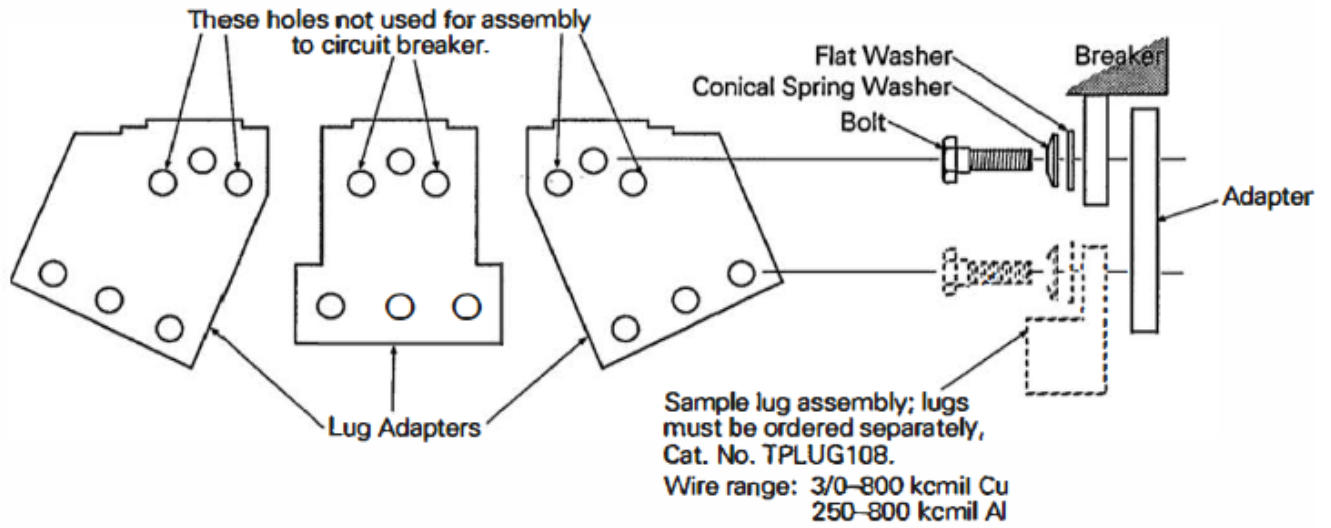


Figure 6. Typical assembly of lug adapters, catalog number TPLUGAOB, to 800 A frame circuit breaker.

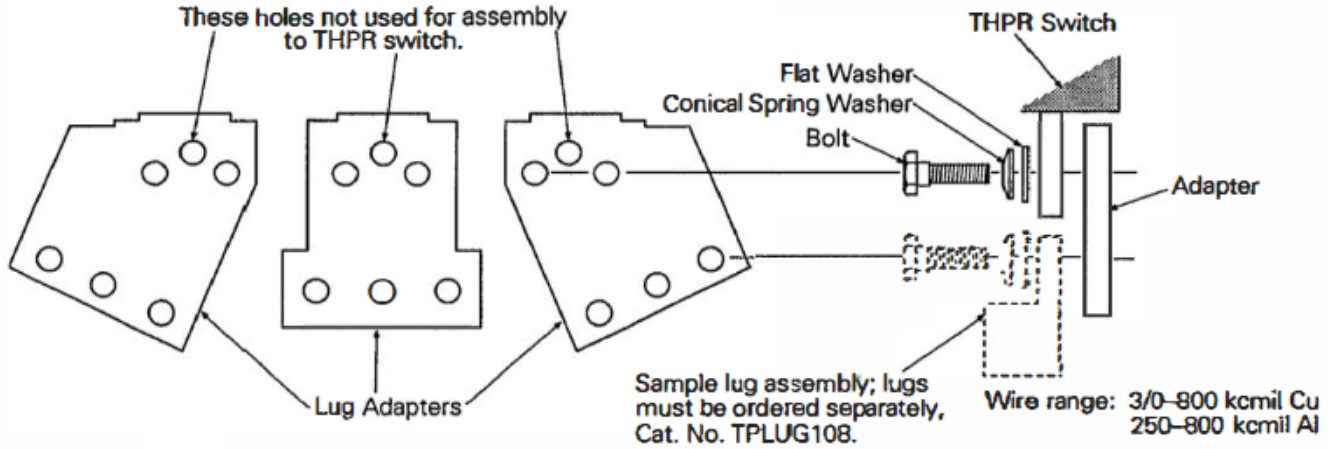


Figure 7. Typical assembly of lug adapters, catalog number THPCLUGAOB, to 800 A frame THPR switch.

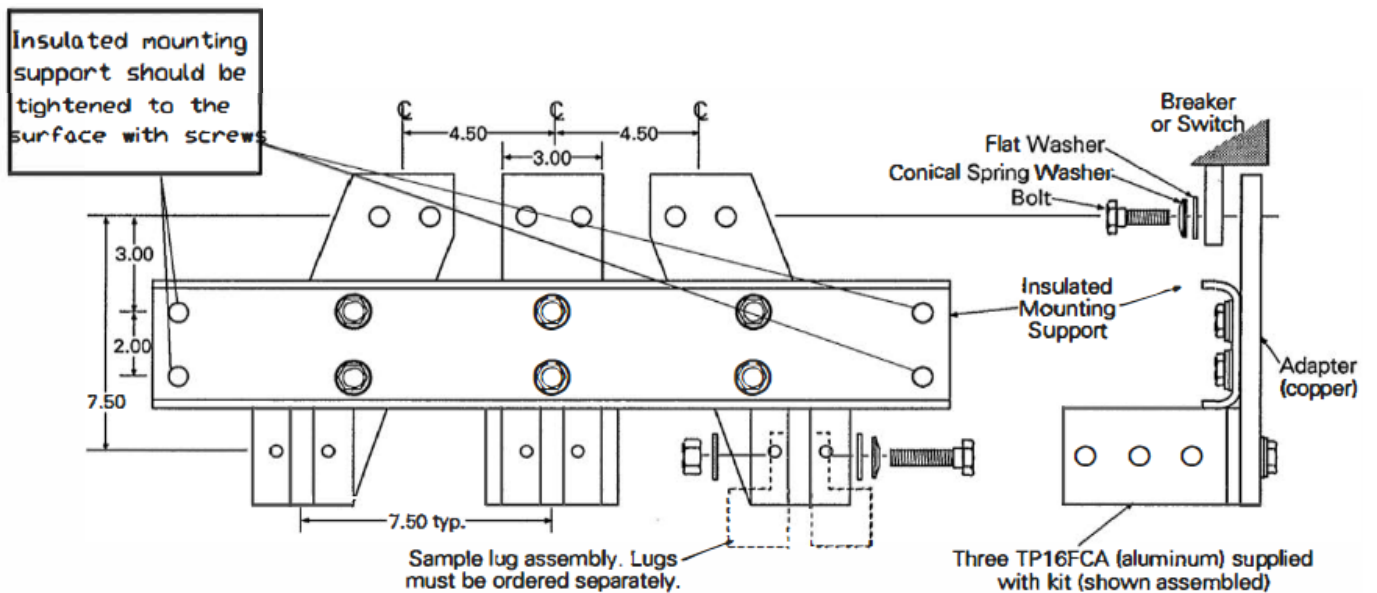


Figure 8. Typical assembly of lug adapters, catalog number TPLUGA16, to 1600 A frame breaker or switch.

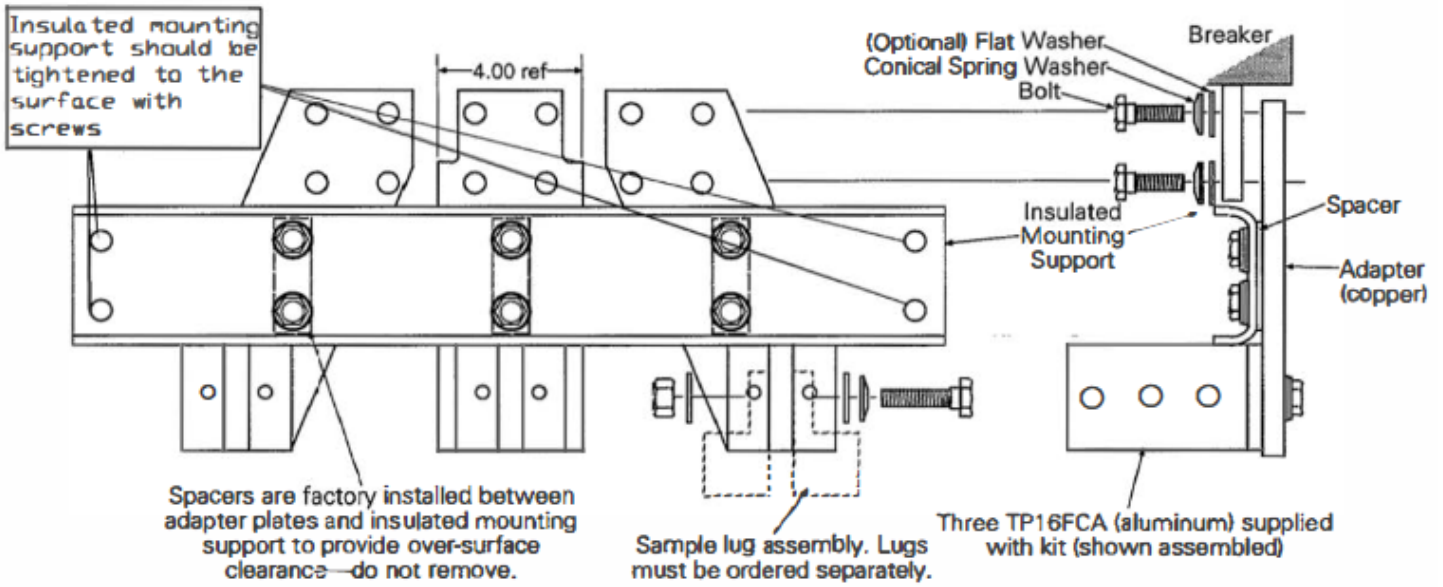


Figure 9. Typical assembly of lug adapters, catalog number TPLUGA20, to 2000 A frame breaker (except Power Break II).

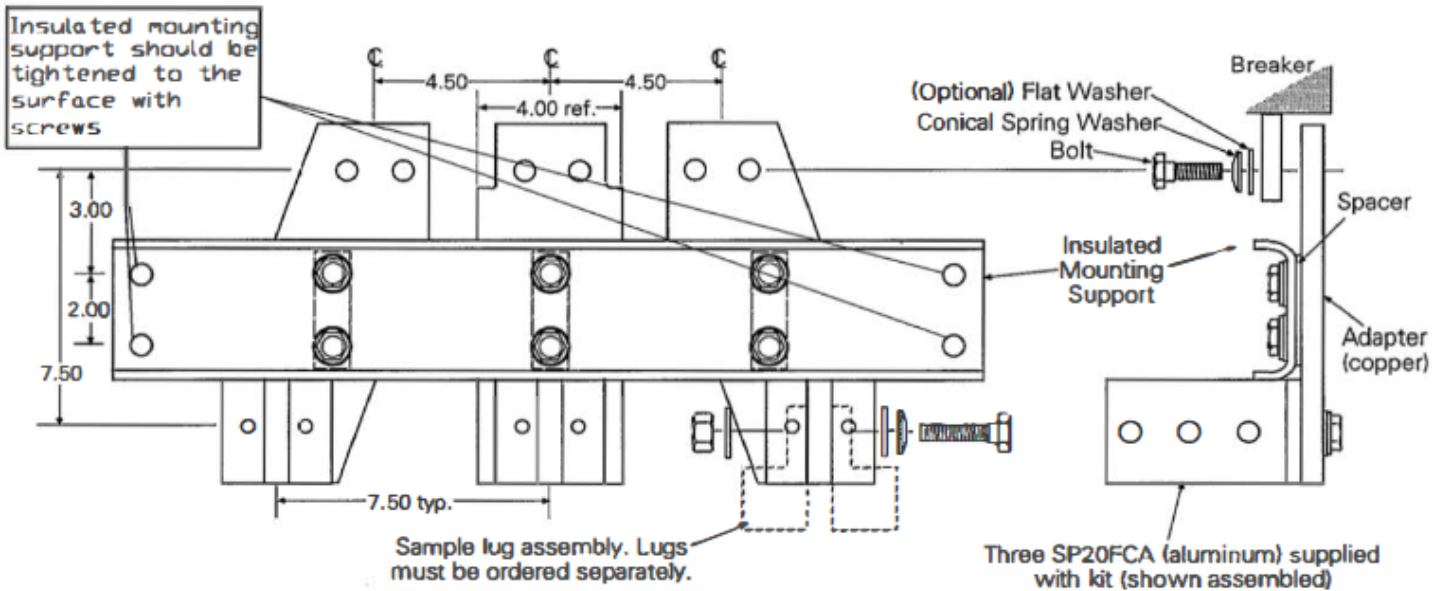


Figure 10. Typical assembly of lug adapters, catalog number SPLUGA20, for 2000A frame Power Break II circuit breaker. May be used in place of TPLUGA16 on 1600 A frame.

These instructions do not cover all details or variations in equipment nor do they provide for every possible contingency that may be met in connection with installation, operation, or maintenance. Should further information be desired or should particular problems arise that are not covered sufficiently for the purchaser's purposes, the matter should be referred to the ABB Inc.