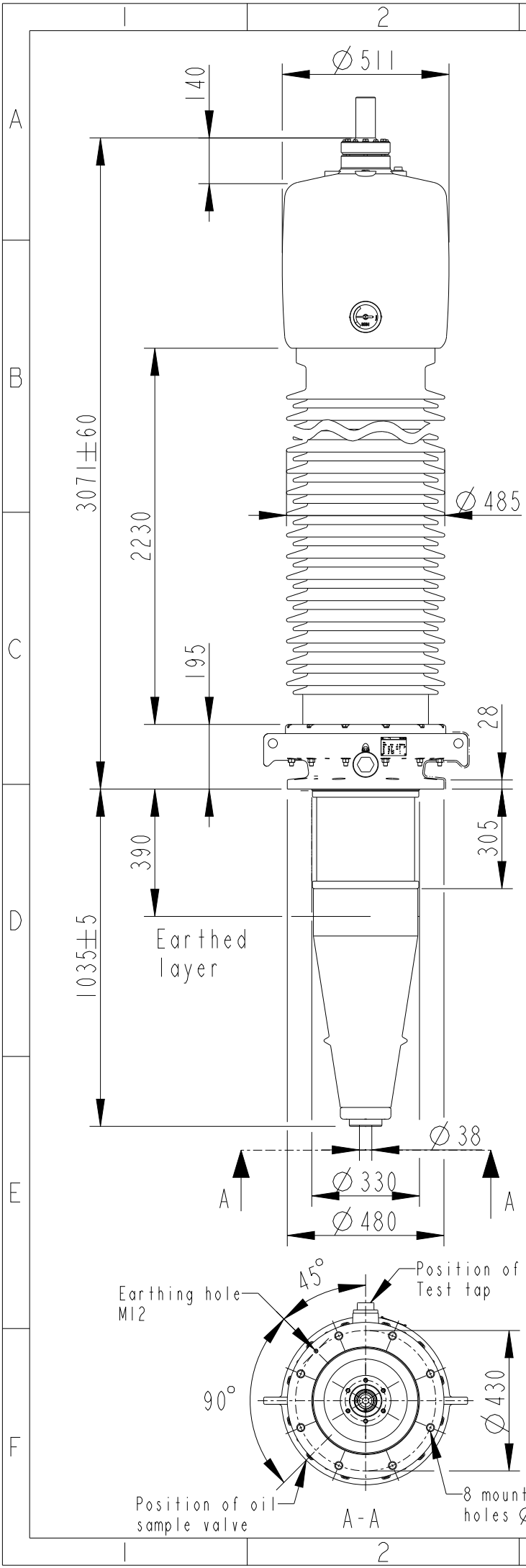


This document is issued by means of a computerized system. The digitally stored original is electronically approved. The approved document has a date entered in the "Approved"-field. A manual signature is not required.

We reserve all rights in this document and in the information contained therein. Reproduction, use or disclosure to third parties without express authority is strictly forbidden. © 2022 Hitachi Energy.



**Bushing Data:**

Rated Voltage	362 kV
Phase to-earth Voltage	209 kV
Dry Lightning Impulse 1,2/50µs	1050 kV
Wet Switching Impulse	750 kV
Wet Power frequency AC	480 kV
Routine test Imin dry 50Hz	505 kV
Rated Current	5000 A
Creepage Distance	8190 mm
Mass	850 kg

**Ordering Data:**

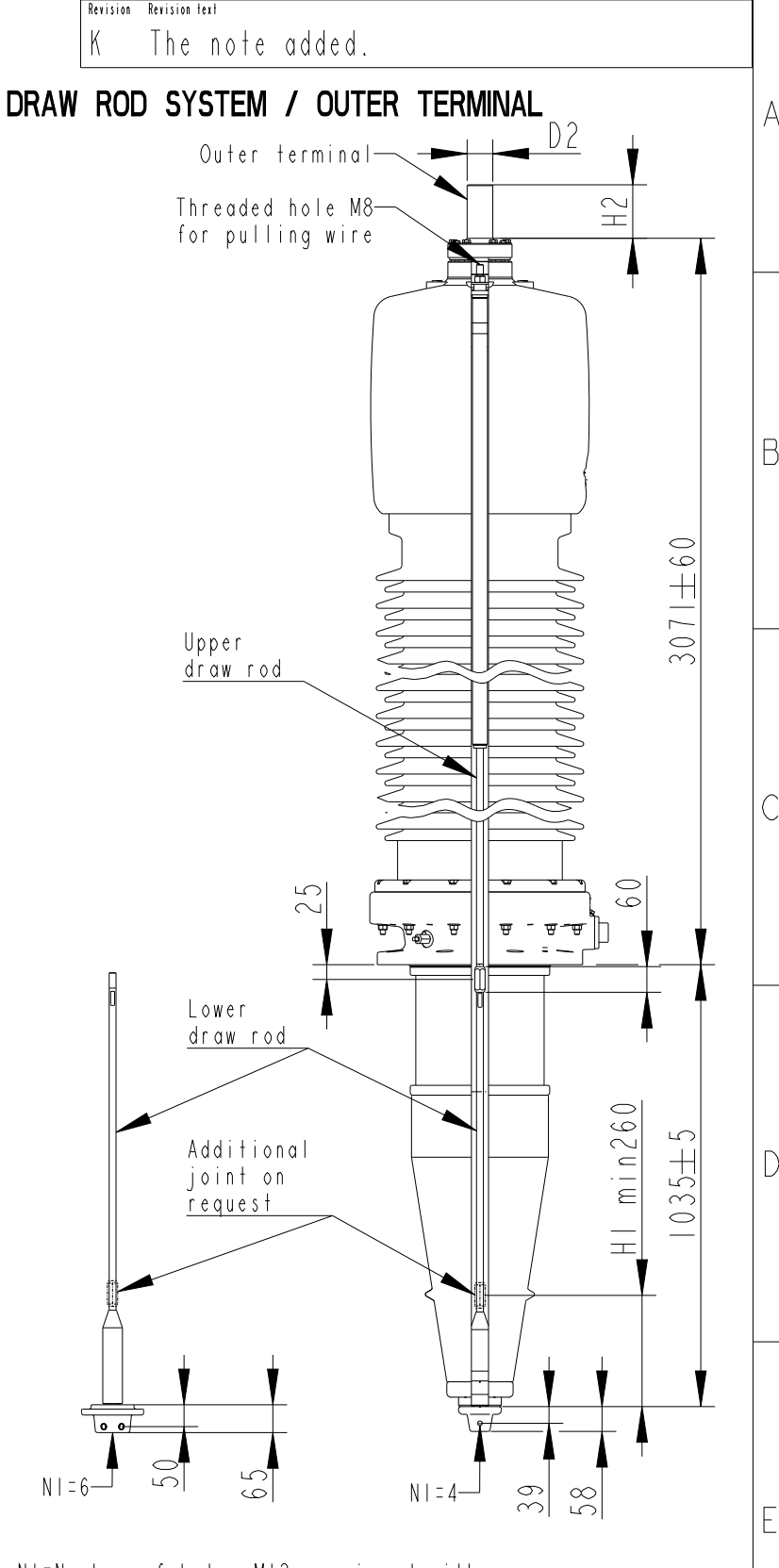
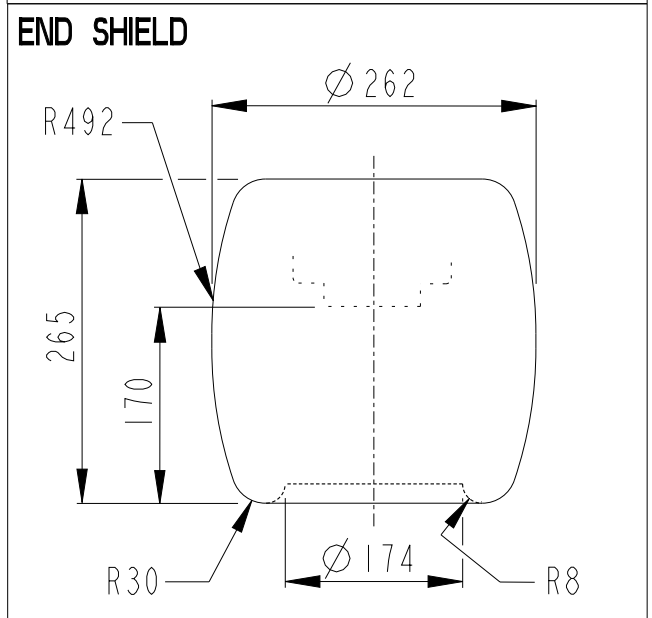
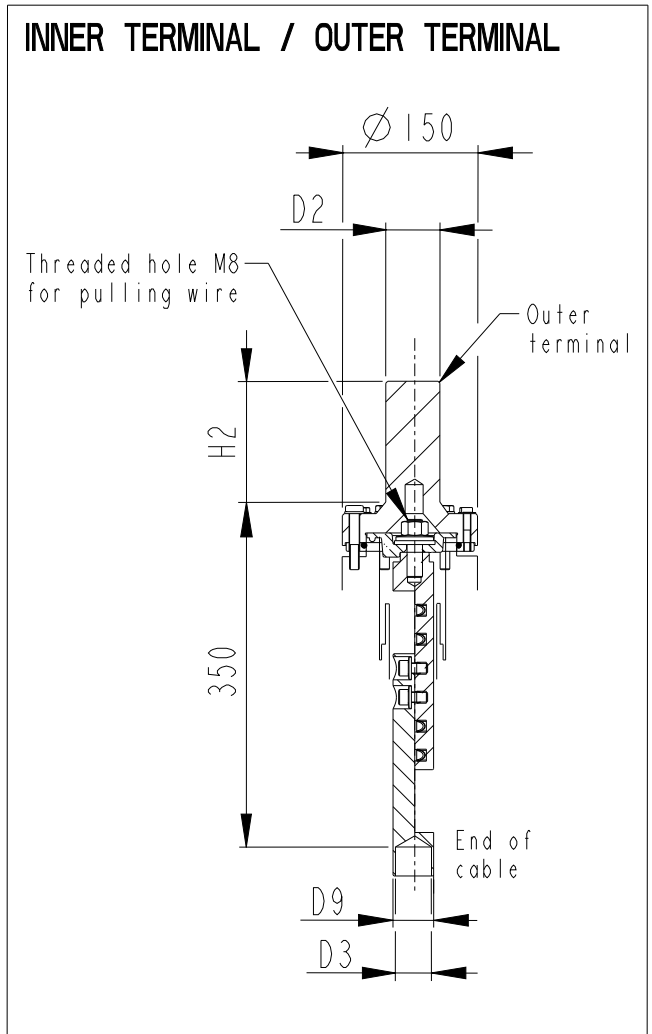
<b>BUSHING</b>		COLOUR AIR INSULATOR		
IZSC902245-ABA		BROWN		
<b>OUTER TERMINAL</b>				
		Max. Rated H2	D2	
		Current (A)	(mm)	
LF170 073-A	Al	2500	125 60	
LF170 073-B	Cu	4000	125 60	
LF170 073-G	Cu/Ag	4000	125 60	
LF170 073-L	Cu/Sn	4000	125 60	
LF170 073-BA	Cu/Ag	3000	125 2"-12UN	
LF170 073-AA	Cu	5000	115 96	
LF170 073-DB	Cu/Ag	5000	125 96	
<b>END-SHIELD</b>				
LF170 046-U	EPOXY INSULATED			
LF170 046-UP	INSULATED WITH 3 mm PRESSBOARD			
<b>DRAW ROD SYSTEM</b>				
LF170 059	LOWER DRAW ROD WITH NI=4 OR NI=6			
LF170 057	UPPER DRAW ROD			
<b>INNER TERMINAL</b>				
	D3	D9	Cond.area	Current (A)
	(mm)	(mm)(mm <sup>2</sup> )	IEC	IEEE
LF170 056-A	0 *	35 -	-	-
LF170 056-B	15	35 95	390	370
LF170 056-C	30	35 285	1000	830

\*) WITH PILOT HOLE D=5

⚠ 1) GOE 1050 bushing can be used for 245 kV system voltage to meet all the requirements of Table 3, IEC 60137.

ABB Ludvika, Sweden

No.	Um/Uy	kV Ir	A 50/60 Hz
BL	kV SIL	kV AC	kV
M	kg L	mm	°
C1	pF	Tan δ	x
C2	pF	Tan δ	x



NI=Number of holes M12, equipped with thread insert with screw lock, depth 20, for cable lugs.

Revision	Revision text
K	The note added.

DOCUMENT KIND	APPROVED	TITLE / SUPPLEMENTARY TITLE
Dimension Drawing	2022-12-22	GOE 1050-750-5000-0.3
RESPONSIBLE DEPARTMENT		GOE 1050-750-5000-0.3
SEABB-9AAE300824		
RESPONSIBLE COMPANY	DOCUMENT ID	STATUS
Hitachi Energy Sweden AB	2751369-313	Approved
		REVISION
		K
		SHEET
		1/1