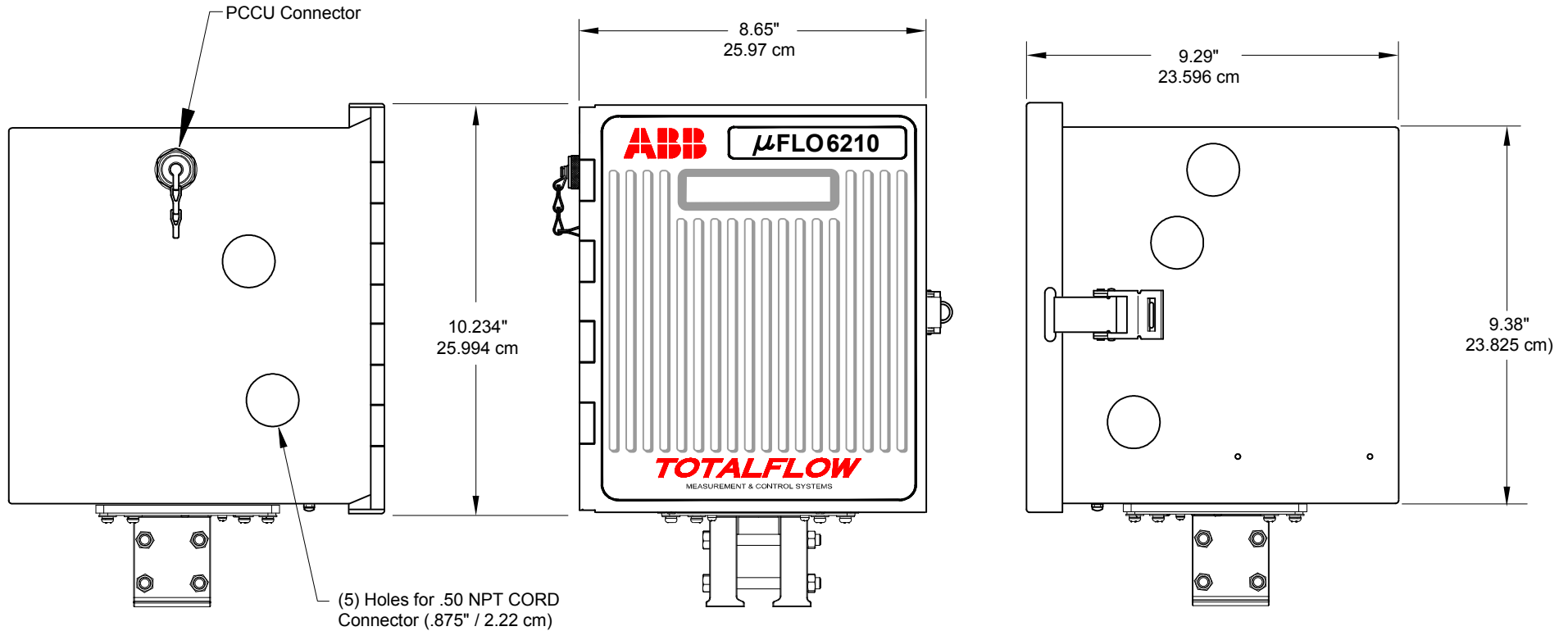


NOTES:

1. WARNING: This drawing does not illustrate completely the installation methods required for hazardous locations. Prior to any installation in a Classified Hazardous Location, verify installation methods by the Control Drawing referenced on the product's name tag and national and local codes.



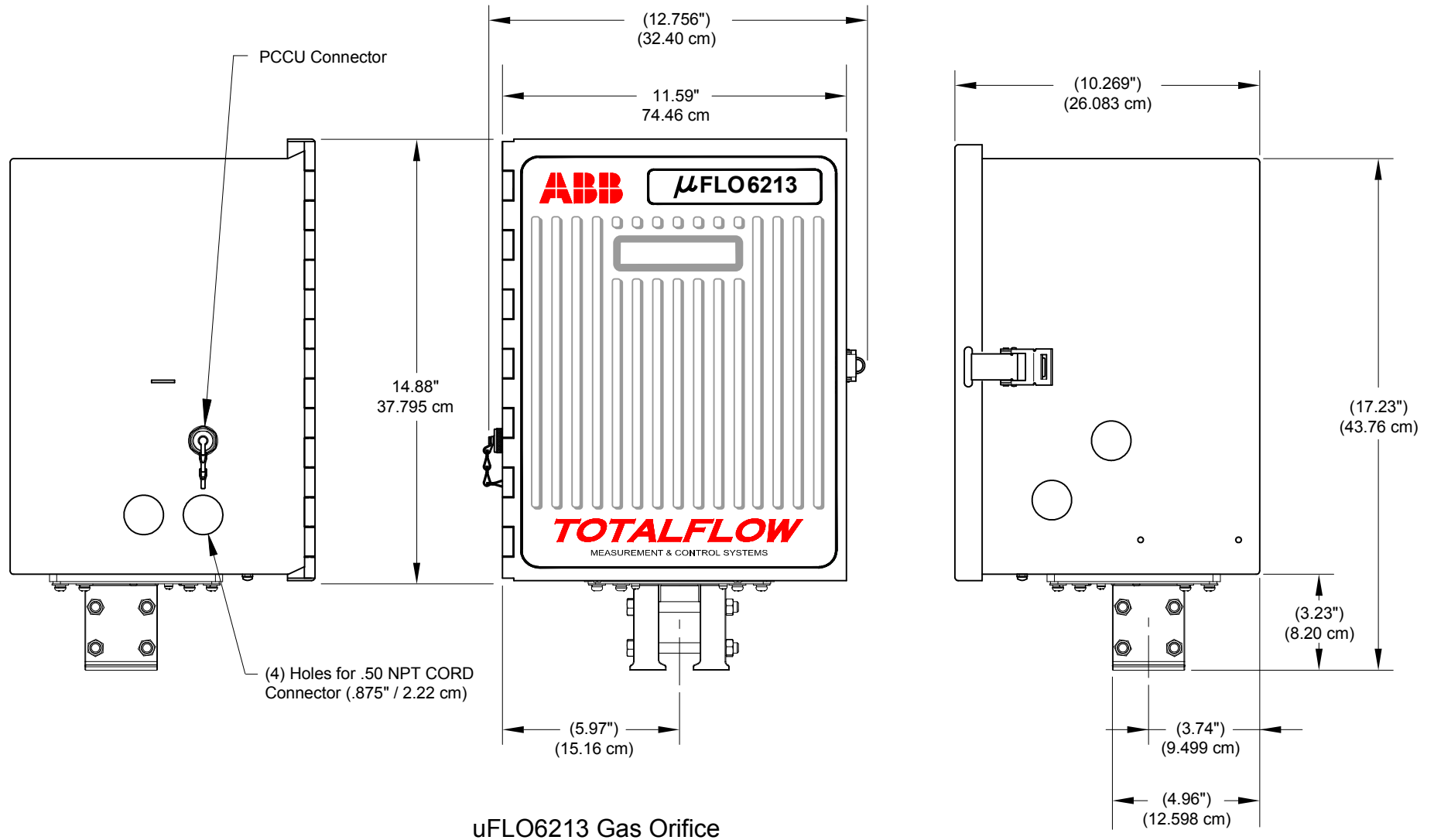
uFLO6210 Gas Orifice

REF: 2100997

	TOTALFLOW	ACTION	DOC TYPE	TITLE	DWG NO.	REV	SHEET
	Products	L19119	UD	UFLO SERIES ENCLOSURE MEASUREMENTS	2102950	AA	1 OF 2


NOTES:

1. WARNING: This drawing does not illustrate completely the installation methods required for hazardous locations. Prior to any installation in a Classified Hazardous Location, verify installation methods by the Control Drawing referenced on the product's name tag and national and local codes.



uFLO6213 Gas Orifice

REF: 2100769, 2100919

	TOTALFLOW	ACTION	DOC TYPE	TITLE	DWG NO.	REV	SHEET
	Products	L19119	UD	UFLO SERIES ENCLOSURE MEASUREMENTS	2102950	AA	2 OF 2