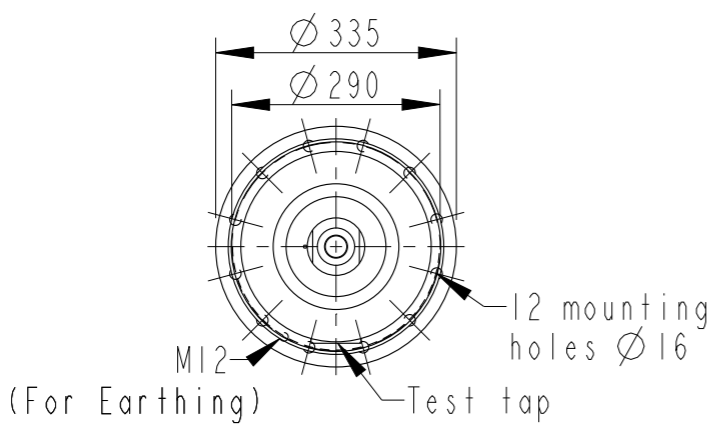
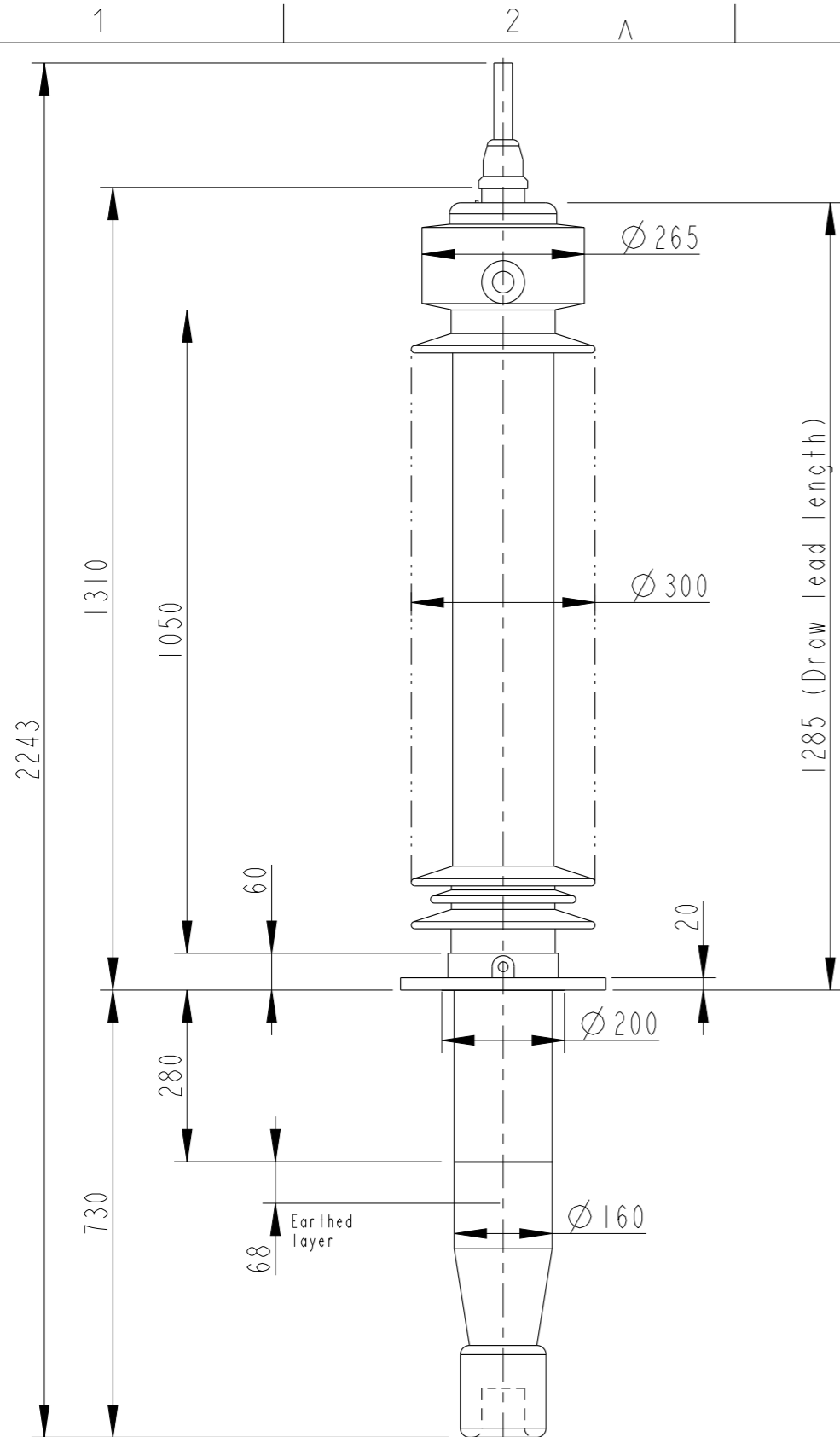
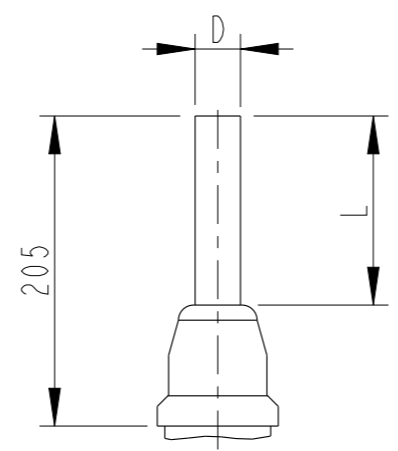


This document is issued by means of a computerized system. The digitally stored original is electronically approved. The approved document has a date entered in the "Approved"-field. A manual signature is not required.

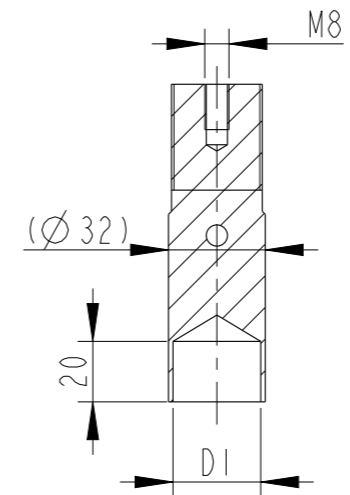
The information contained in this document has to be kept strictly confidential. Any unauthorized use, reproduction, distribution or disclosure to third parties are strictly forbidden. ABB reserves all rights regarding Intellectual Property Rights. © Copyright 2008 ABB. All rights reserved.



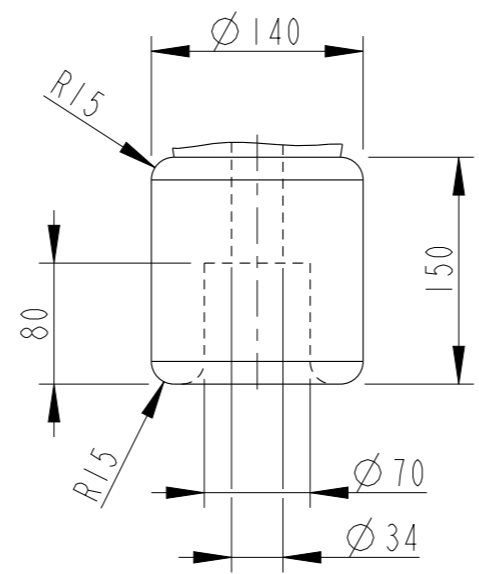
OUTER TERMINAL



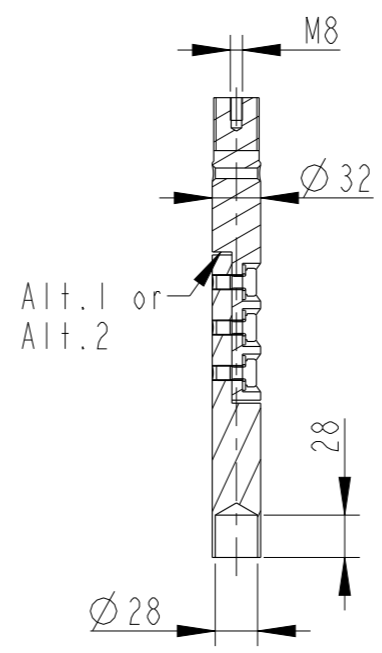
INNER TERMINAL FOR STRANDED CABLE



END SHIELD



SOLID ROD CONNECTOR



The solid rod can be divided either:
 Alt.1: 20mm below the bushing flange or
 Alt.2: 20mm below the upper end of the bottom porcelain

Bushing Data:

Rated Voltage	170	kV
Phase to Ground Voltage	123	kV
Dry Lightning Impulse 1,2/50 μ s	550	kV
Wet power frequency AC	230	kV
Routine test 1min dry 50Hz	260	kV
Rated Current	1250	A
Creepage Distance	3430 \pm 100	mm
Creepage Distance Protected	1350	mm
Mass	110	kg

Ordering Data:

BUSHING	COLOUR AIR INSULATOR	
LF123143-M	BROWN	
-N	LIGHT GREY	
OUTER TERMINAL	Material	D L
LF 170 002-B	Cu alloy,	$\varnothing 30, 125$
LF 170 001-B	Al,	$\varnothing 30, 125$
OTHER TYPES ON REQUEST		
INNER TERMINAL FOR STRANDED CABLE	Conductor area	$D1$
LF 170 011-T	up to 285mm ²	$\varnothing 29$
LF 170 011-V	Undrilled with pilot hole	$\varnothing 5$
SOLID ROD CONNECTOR	Material	
LF 170 052 -AU for Alt.1	Cu	
LF 170 052 -AX for Alt.2	Cu	

Note:
 Mounting inclination 0-45°.
 ⚠ For inclined and horizontal mounting, see Installation and Maintenance Guide.

ABB		Ludvika, Sweden	
No.			
Um/Uy	kV Ir	A	50/60 Hz
BIL	kV SIL	kV AC	kV
M	kg L	mm	✓
C1	pF Tan δ	x	
C2	pF Tan δ	x	

Prepared	Palpandi K	2013-04-23	Responsible department	PPCO/BK	Title	GOB 550-1250-0.3	Language 82
Modified by	Palpandi K	2013-04-26	Take over department				
Approved by	Niklas Olsson	2013-04-29	Used in product				
Revision	B	Note added	Order		Document no.	2751369-214	No. Shs. (1)

