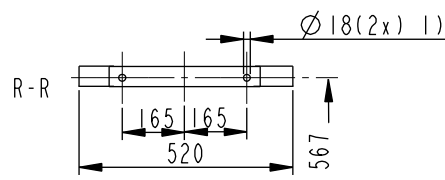
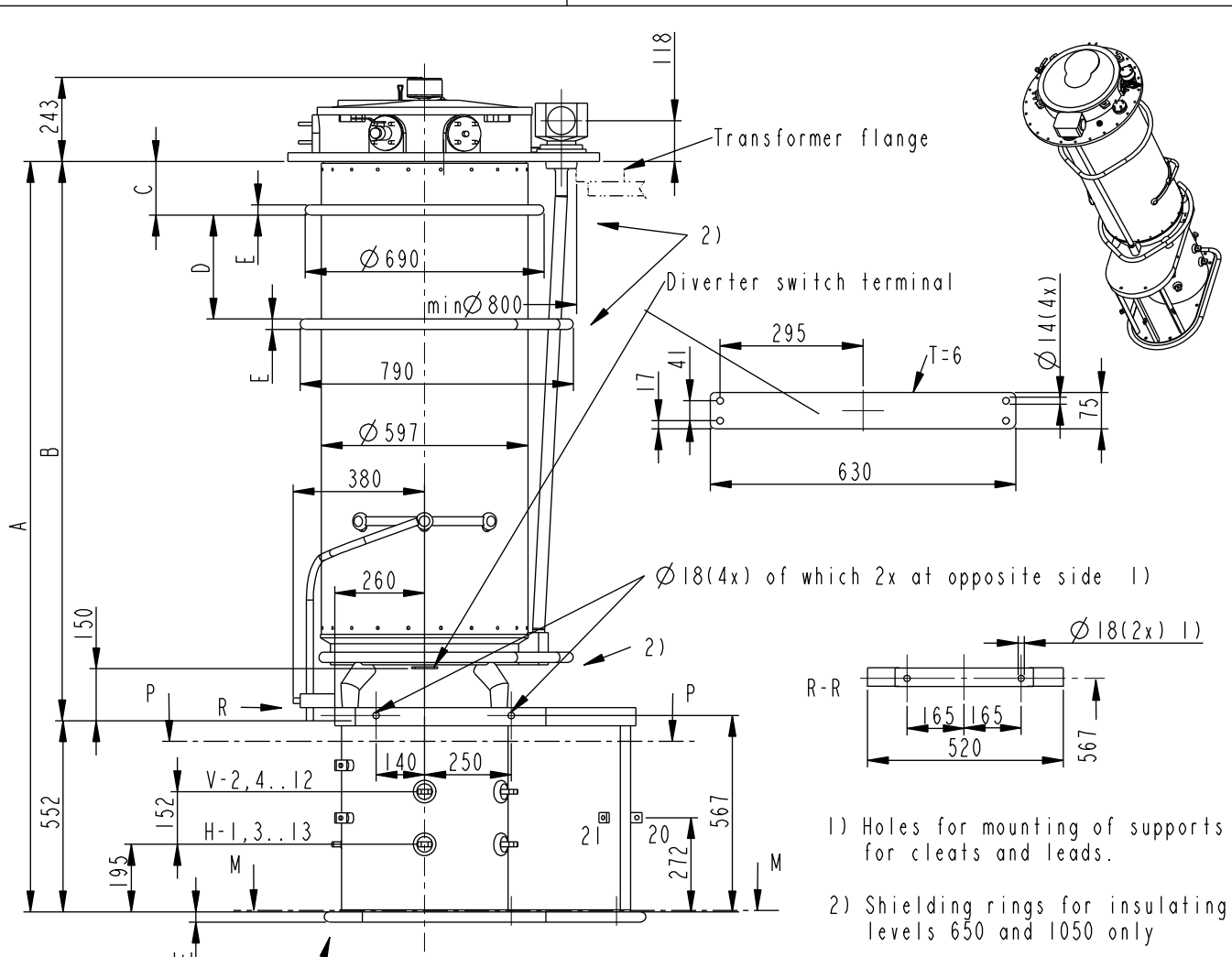
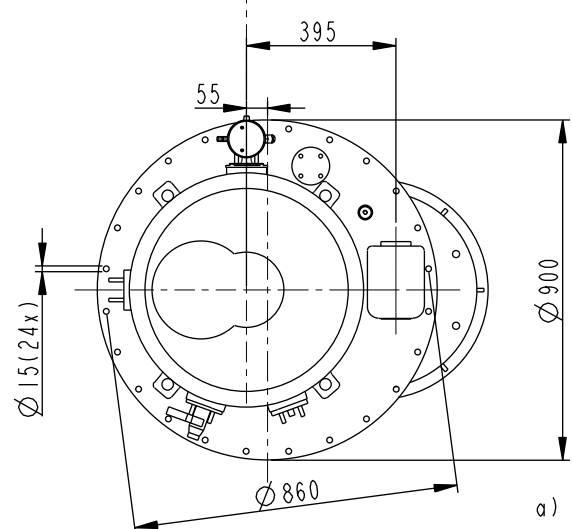


We reserve all rights in this document and in the information contained therein. Reproduction, use or disclosure to third parties without express authority is strictly forbidden. ©ABB



- 1) Holes for mounting of supports for cleats and leads.
- 2) Shielding rings for insulating levels 650 and 1050 only



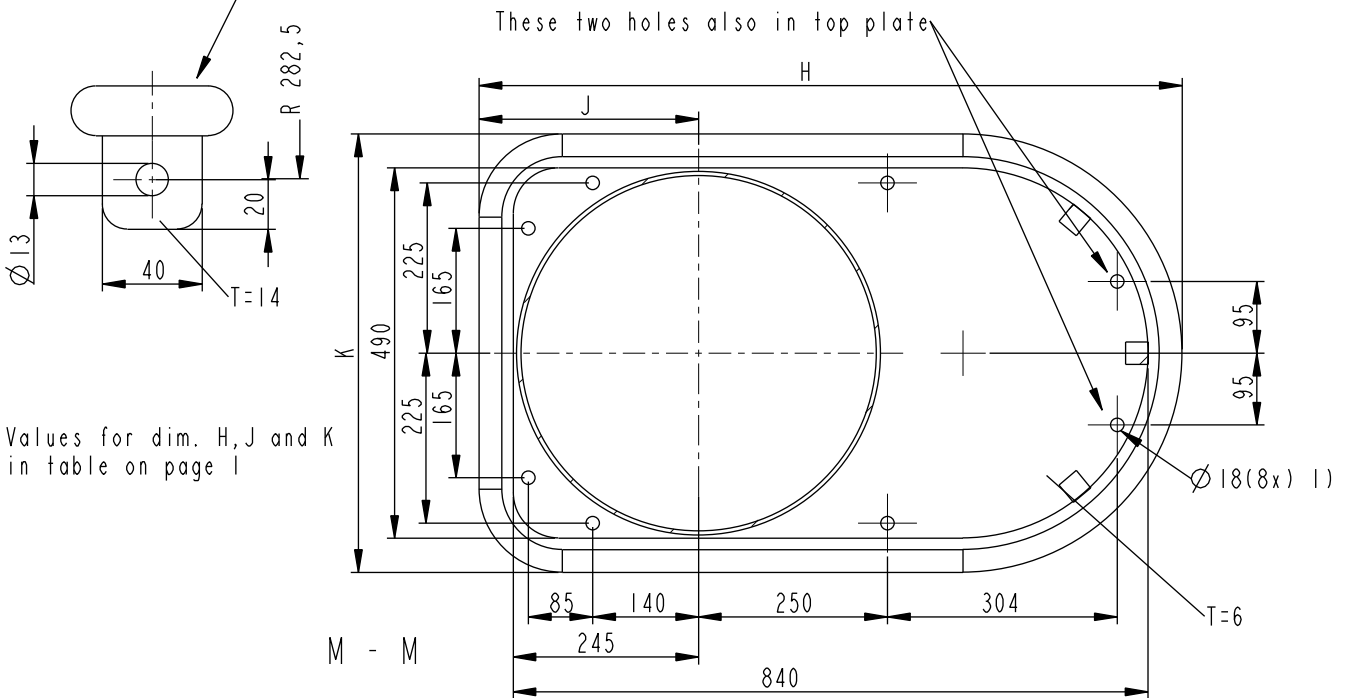
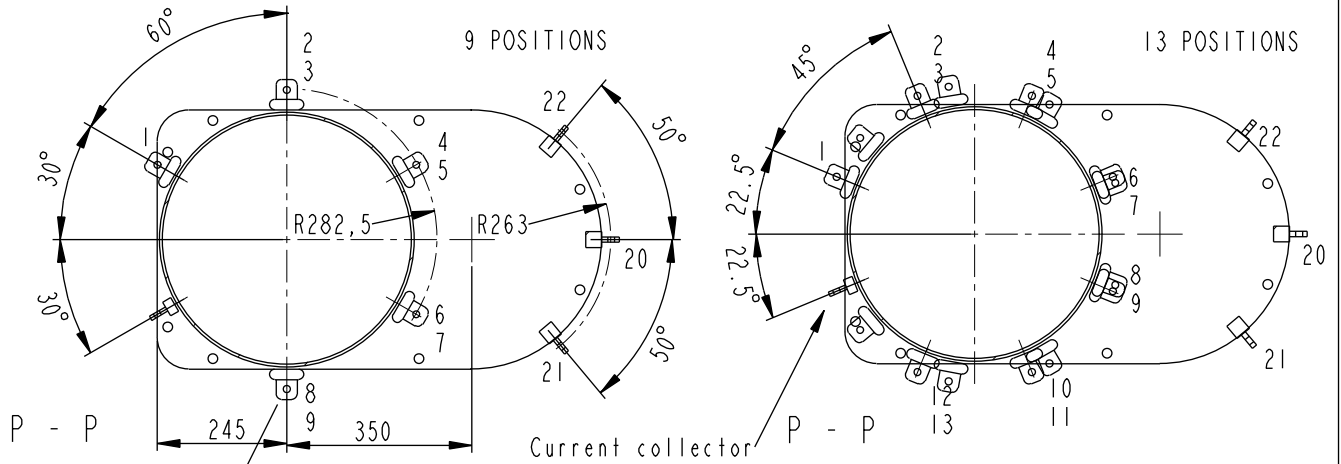
INSULATION LEVEL kV	380	650	1050
A	1967 a)	2167 a)	2367 a)
B	1415 a)	1615 a)	1815 a)
C	-	155 a)	158 a)
D	-	300	494
E	-	30	36
H	-	930	936
J	-	290	293
K	-	580	586

a) For mounting on active part use A+85, B+85 and C+85 (See also Drawing 54920086-1)

Based on	Reg. No.	Title TAP-CHANGER UCLR AND UCLD UCL.B(IPHASE),E,T XXXX/600/III		
Prepared B Hultgren 96-05-28	Responsible department COM/TK			Language en
Approved M Eriksson	Take over department			
Revision Rev 4 06-10-05	Database DIMENSION_DWGS			
ABB Components		Document No. 54920085-13		

Inspection engineering review  
 Design engineering review  
 Production engineering review

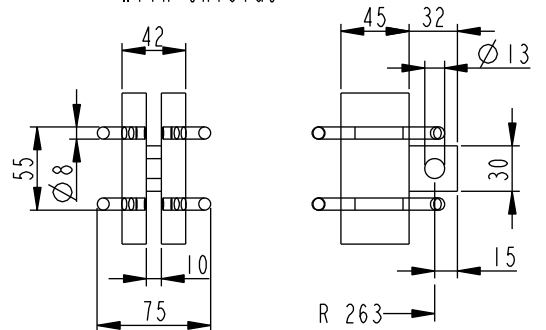
We reserve all rights in this document and in the information contained therein. Reproduction, use or disclosure to third parties without express authority is strictly forbidden. ©ABB



Values for dim. H, J and K in table on page 1

1) Holes for mounting of supports for cleats and leads

Tap selector contact 20,21,22 with shields



<b>ADDITIONAL DRAWINGS:</b>	
Connection Diagrams: See Technical Guide UC	
Mounting on active part: 54920086-1	
Accessories: 54920086-2	
Motor Drive BUL: 54830001-1	
Motor Drive BUE: 54830001-2 or -3	
External Drive Shaft: 54920083-4	
Pressure Relay: 54920083-2	
Bevel Gear: 54920083-1	

Inspection engineering review	Production engineering review	Based on	Reg. No.	Title		
Design engineering review	Prepared B Hultgren 96-05-28	Responsible department COM/TK	TAP-CHANGER UCLR AND UCLD			
Approved M Eriksson	Take over department	UCL.B(1PHASE),E,T XXXX/600/III		Language en		
Revision Rev.4 06-10-05	Database DIMENSION_DWGS			Page 2(2)		
<b>ABB</b>		<b>ABB Components</b>		Document No.	54920085-13	