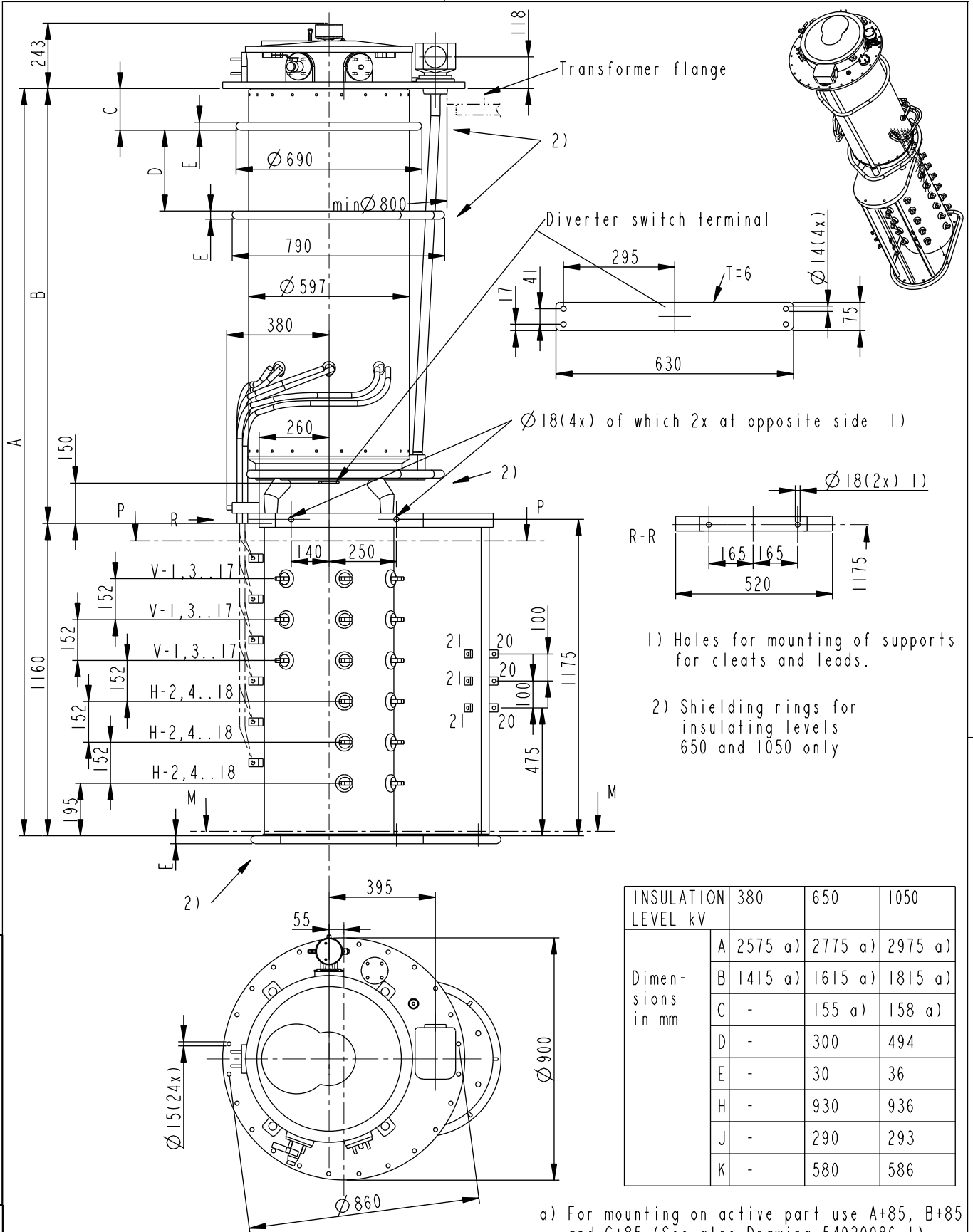


We reserve all rights in this document and in the information contained therein. Reproduction, use or disclosure to third parties without express authority is strictly forbidden. ©ABB



a) For mounting on active part use A+85, B+85 and C+85 (See also Drawing 54920086-1)

Based on	Reg. No.	Title	
Prepared B Hultgren 96-05-28	Responsible department COM/TK	TAP-CHANGER UCLR AND UCLD	
Approved M Eriksson	Take over department	UCL.E, T XXXX/2400/III	
Revision Rev 4 06-10-06	Database DIMENSION_DWGS	11,15,16-19,21-23,25-27,29-31,33-35 POS	
		Document No.	54920085-20

Inspection engineering review

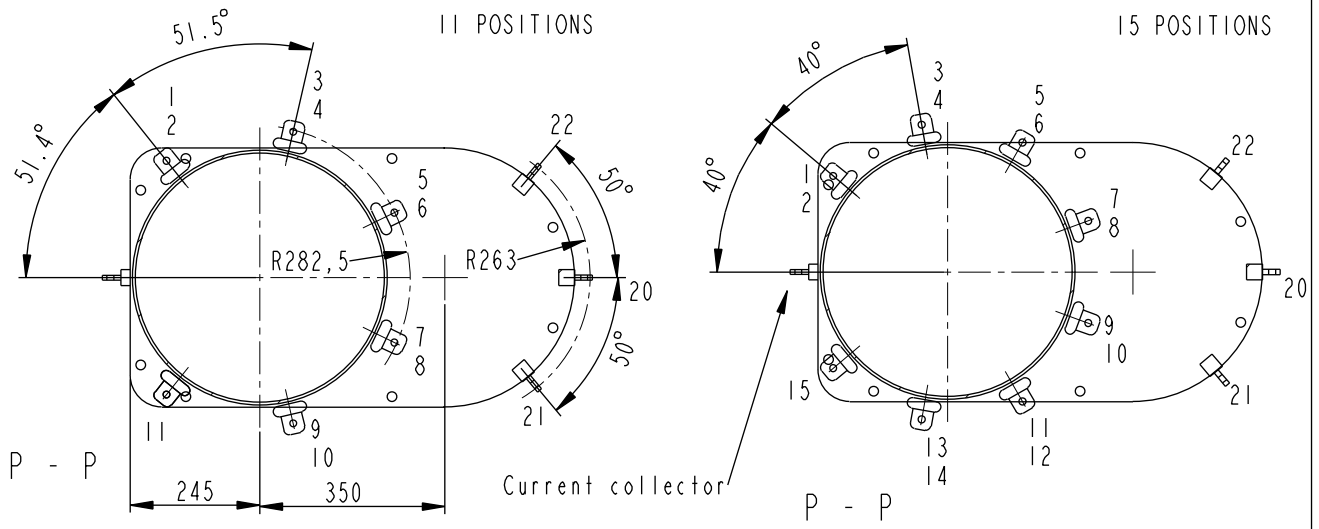
Production engineering review

Design engineering review

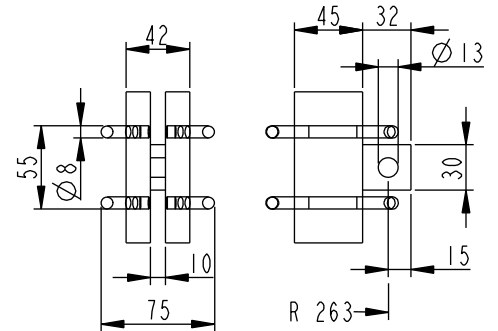
Language
en

Page
1(3)

We reserve all rights in this document and in the information contained therein. Reproduction, use or disclosure to third parties without express authority is strictly forbidden. ©ABB

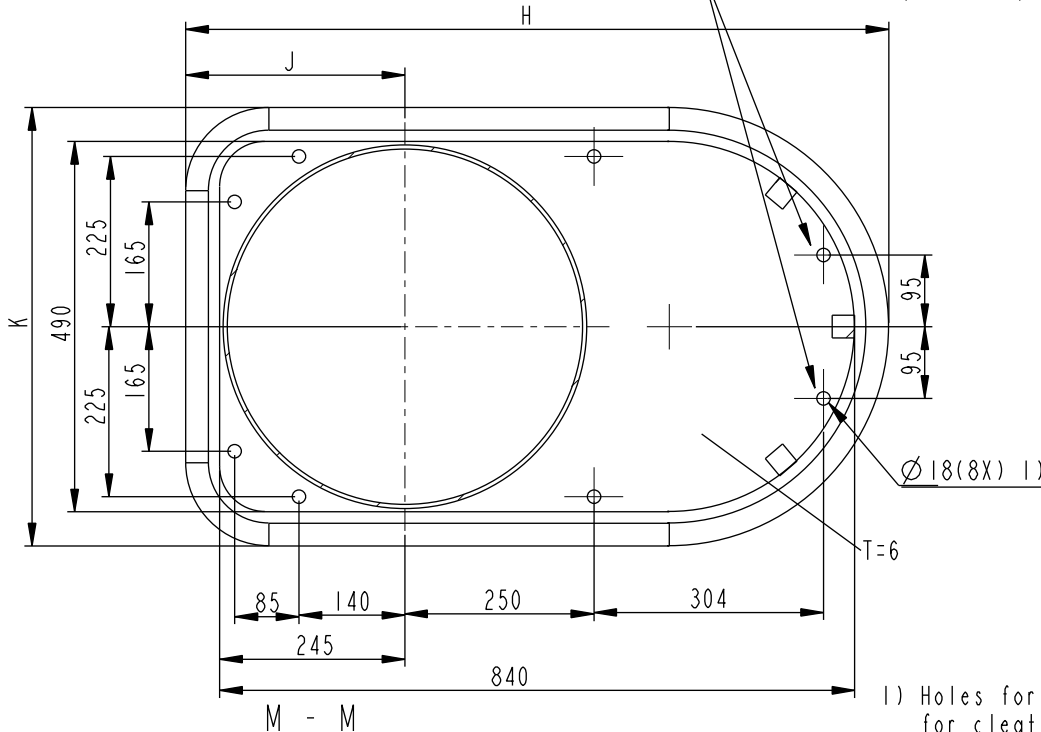


Tap selector contact 20,21,22 with shields



Values for dim. H, J and K in table on page 1

These two holes also in top plate



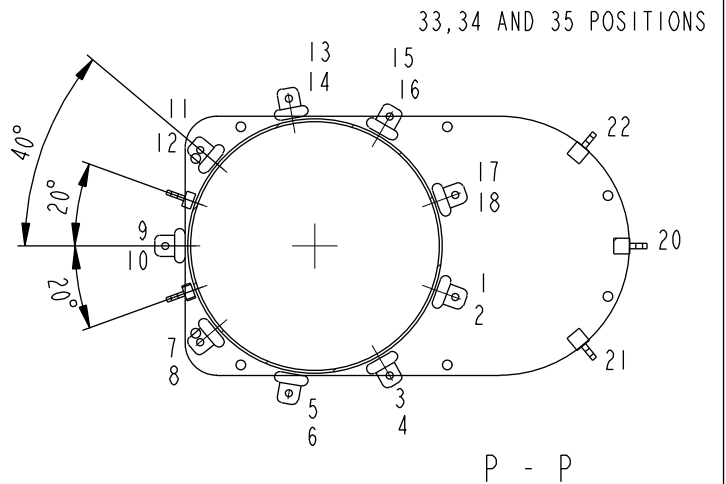
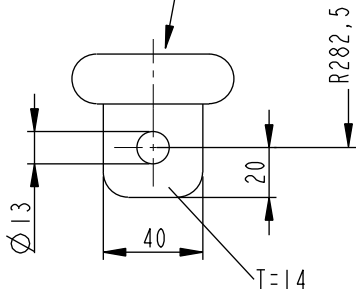
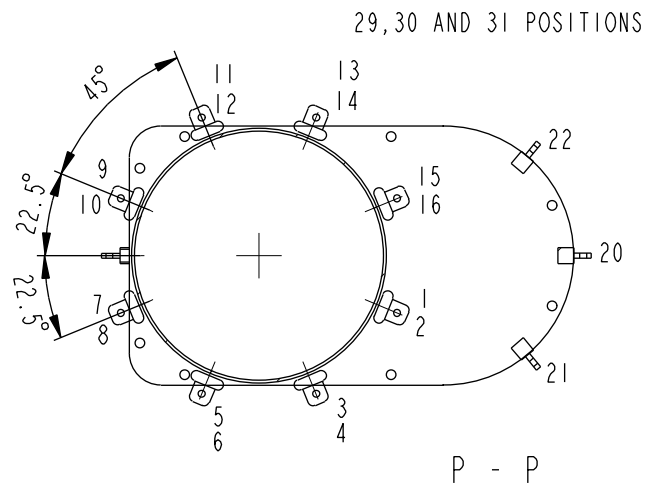
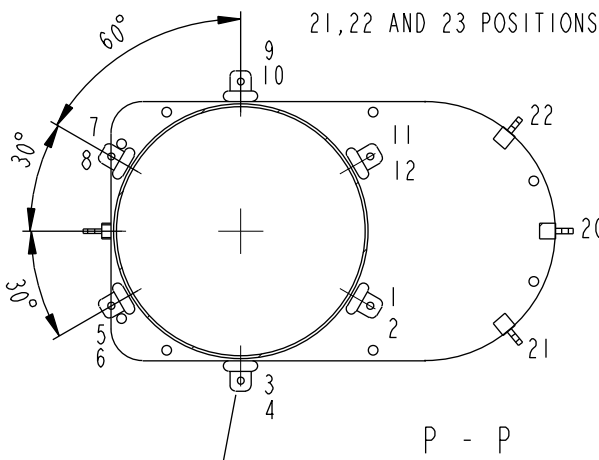
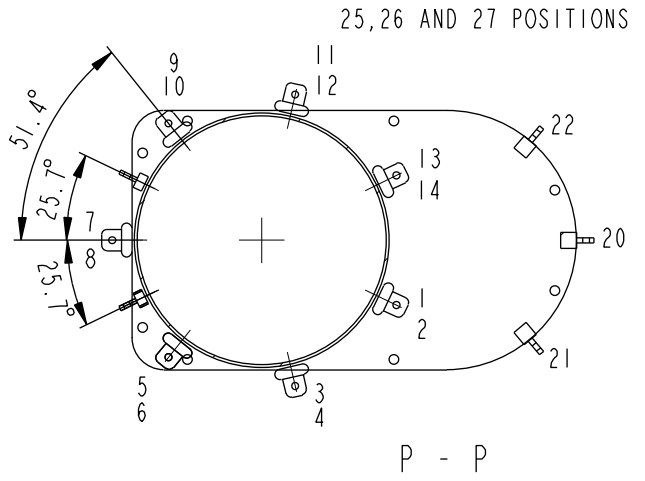
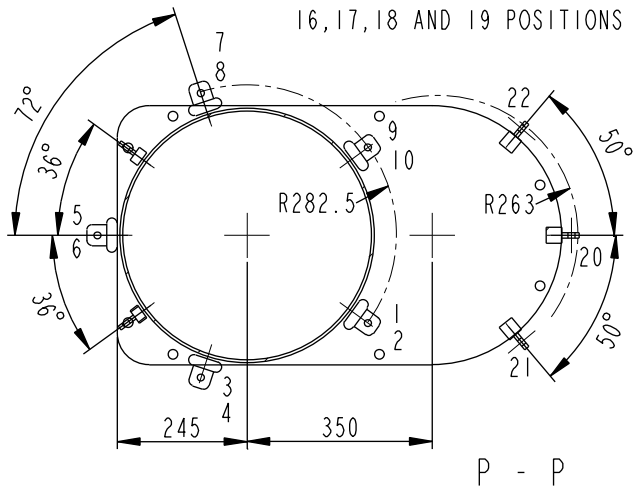
1) Holes for mounting of supports for cleats and leads

Inspection engineering review	Production engineering review	Based on	Reg. No.	Title TAP-CHANGER UCLR AND UCLD UCL.E,T XXXX/2400/III	
Design engineering review	Prepared B Hultgren 96-05-28	Responsible department COM/TK	Take over department		
	Approved M Eriksson	Database DIMENSION_DWGS		Page 2(3)	
	Revision Rev.4 06-10-06	Document No. 54920085-20			



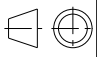

ABB Components

We reserve all rights in this document and in the information contained therein. Reproduction, use or disclosure to third parties without express authority is strictly forbidden. ©ABB



ADDITIONAL DRAWINGS:

Connection Diagrams: See Technical Guide UC
 Mounting on active part: 54920086-1
 Accessories: 54920086-2
 Motor Drive BUL: 54830001-1
 Motor Drive BUE: 54830001-2 or -3
 External Drive Shaft: 54920083-4
 Pressure Relay: 54920083-2
 Bevel Gear: 54920083-1

Inspection engineering review	Production engineering review	Based on	Reg. No.	Title TAP-CHANGER UCLR AND UCLD UCL.E,T XXXX/2400/III	 Language en
Design engineering review	Prepared B Hultgren 96-05-28	Responsible department COM/TK	Take over department		
	Approved M Eriksson	Database DIMENSION_DWGS		Document No. 54920085-20	
	Revision Rev.4 06-10-06				
		 ABB Components			