

INSTRUMENT TRANSFORMERS

VOZZ-20 and VOZZ-20G

Outdoor voltage transformers



The VOZZ-20 and VOZZ-20G outdoor voltage transformers are designed for high burden substation applications and suitable for supplying control power or operating meters and relays.

Product features

- 34.5 kV outdoor, 200 kV BIL, 60 Hertz
- VOZZ-20:
 - Strike: 23.0" (584 mm)
 - Creep: 41.0" (1041 mm)
 - Weight: 330 lbs (150 kg)
- VOZZ-20G:
 - Strike: 25.5" (648 mm)
 - Creep: 41.9" (1064 mm)
 - Weight: 325 lbs (147 kg)

Application

The VOZZ-20 and VOZZ-20G outdoor voltage transformers are designed for high burden substation applications and suitable for supplying control power or operating meters and relays.

The VOZZ-20 is a two bushing design for line-to-line applications, where the line-to-line voltage equals the primary rating of the transformer. The unit can be connected line-to-ground at reduced voltage.

The VOZZ-20G is a single bushing design for line-to-ground applications on an effectively grounded system. They are capable of operating at 190% of rated voltage for one minute without exceeding 175° C temperature rise.

Construction features

The layer wound and shielded high-voltage winding is designed to withstand long-term operation at 1.9 times the line-to-ground voltage level when applied on a 200 kV BIL system. The core and coil assembly is cast under a vacuum in a polyurethane resin formulated for outdoor service.

Terminals

The primary line terminals are electro-tin plated, copper clamp-type to accommodate #10 to 250 MCM conductors. Upon request, they can be supplied with a 0.75" x 1.125" stud-type terminal to accommodate either a two-hole or four-hole NEMA pad connector. The H2 neutral terminal of the VOZZ-20G is insulated to withstand a 19 kV test level and can be disconnected from the external ground strap for dielectric verification, but must be reconnected prior to service.

Junction box

The molded junction box has a 1" conduit hub on each end and a knock out on the bottom for a 1" conduit fitting. The box is anchored to the body of the transformer with screws and can easily be detached, simplifying installation and changeout.

Baseplate

The baseplate is constructed of corrosion-resistant aluminum and is secured to the encapsulated base support.

Mounting

The VOZZ-20 and VOZZ-20G transformers can only be mounted in the upright position.

Lifting

These units should be lifted using the four ring-type lifting lugs attached to the corners of the baseplate.

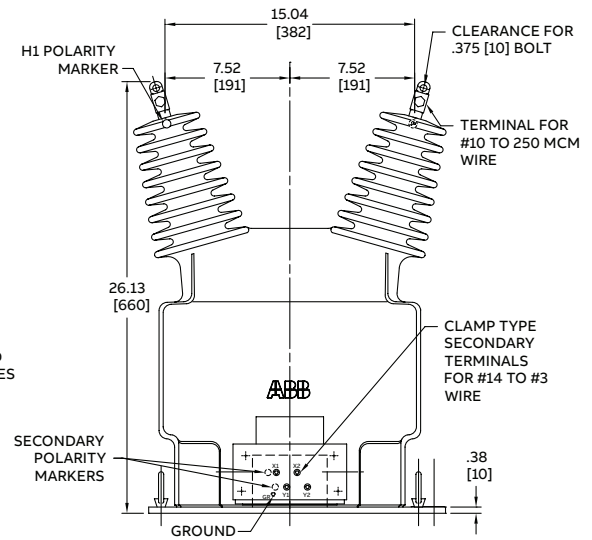
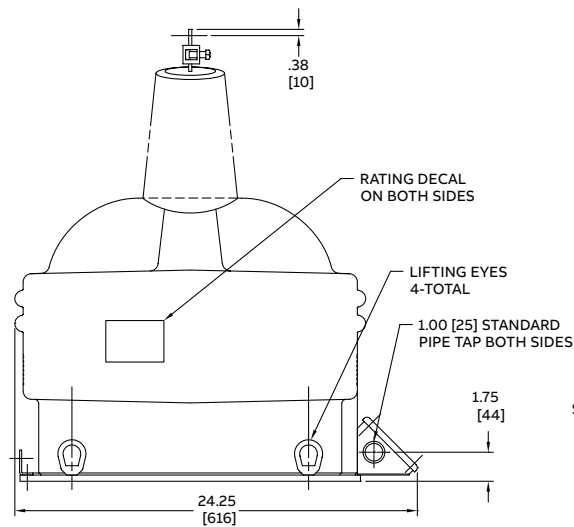
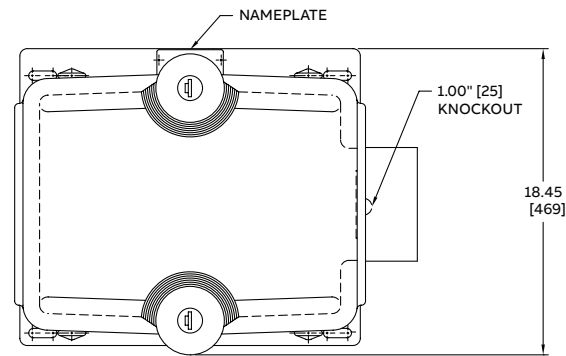
Test reports

Test reports are stored electronically and can be e-mailed in various formats at the time of shipment.

Standards

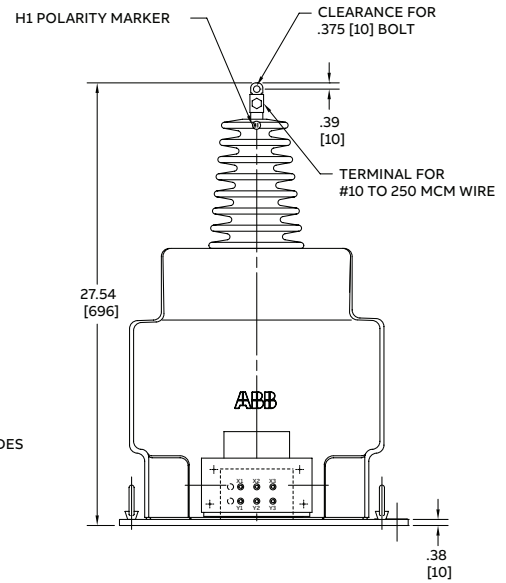
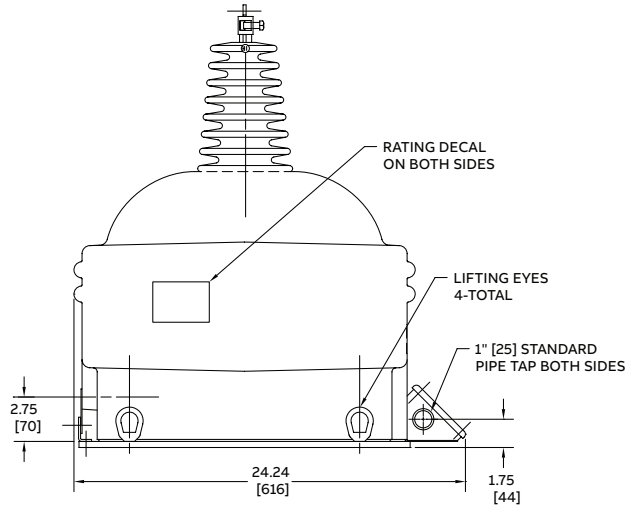
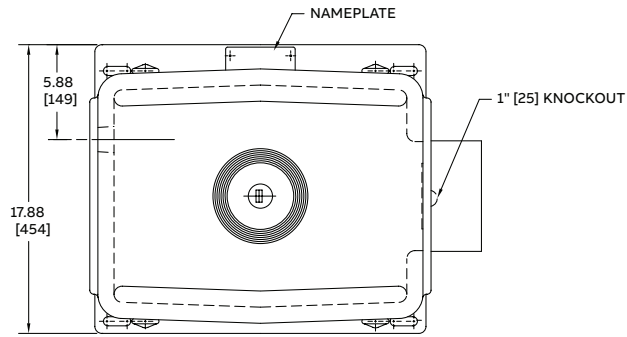
This unit can be tested to all applicable IEEE, CSA, or IEC standards as requested.

Dimensions (inches [mm])



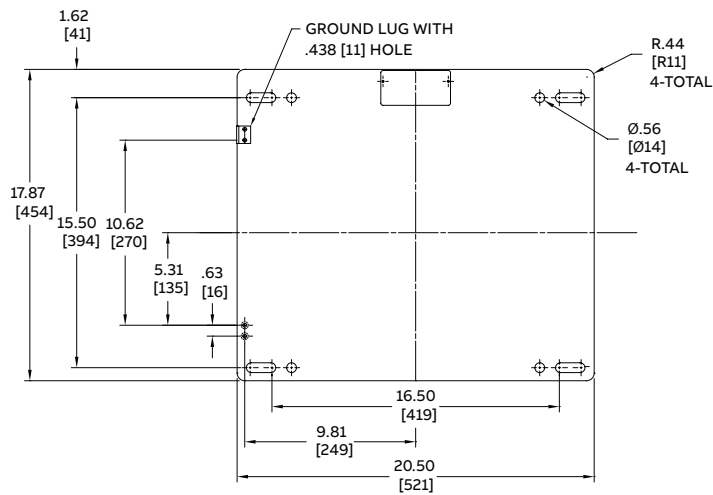
VOZZ-20

Note: can only be mounted in the upright position



VOZZ-20G

Note: can only be mounted in the upright position



Baseplate

Selection guide				
Primary voltage	Winding ratio	IEEE metering accuracy	Thermal rating (VA)	Style number
VOZZ-20				
27600/27600Y	240 & 240:1	0.3 W,X,M,Y,Z,ZZ	3000	9629A96G02
34500/34500Y	300 & 175:1	0.3 W,X,M,Y,Z,ZZ	3000	9629A96G07
34500/34500Y	300 & 300:1	0.3 W,X,M,Y,Z,ZZ	3000	9629A96G01
VOZZ-20G				
20125/34500GY	175/300:1	0.3 W,X,M,Y,Z,ZZ	3000	7882A42G01
20125/34500GY	175/300 & 175/300:1	0.3 W,X,M,Y,Z,ZZ	3000	9629A97G01

All styles listed have frequency of 60 Hz.
 Additional styles available upon request. Contact your ABB sales representative or call +1-252-827-3212 for more information.