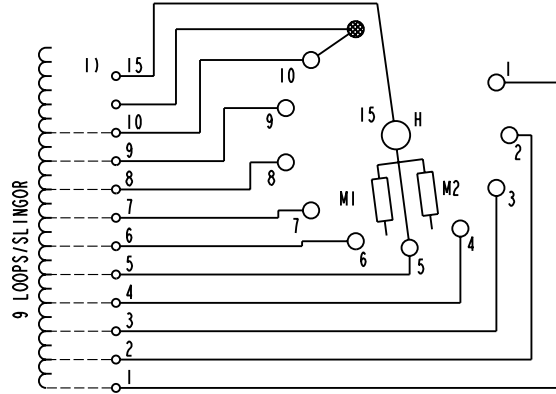


We reserve all rights in this document and in the information contained therein. Reproduction, use or disclosure to third parties without express authority is strictly forbidden. © ABB 19

Pos. Lage	H connects H förbinder
1	1 - 15
2	2 - 15
3	3 - 15
4	4 - 15
5	5 - 15
6	6 - 15
7	7 - 15
8	8 - 15
9	9 - 15
10	10 - 15

On-load tap-changer type UZEL., UZFL., 10 tap positions, linear switching.
 Max. effective No. of turns in pos. 1.
 The tap-changer is delivered set in pos. 5.

Lindningskopplare typ UZEL., UZFL., 10 lägen, linjär koppling.
 Max. antal effektiva varv i läge 1.
 Lindningskopplaren levereras inställd i läge 5.

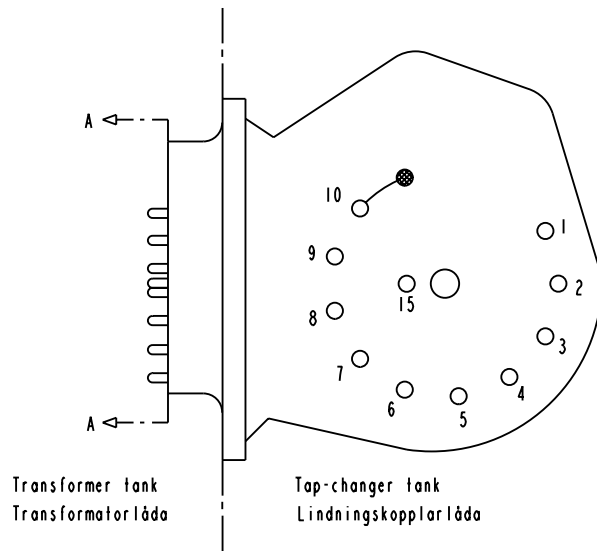
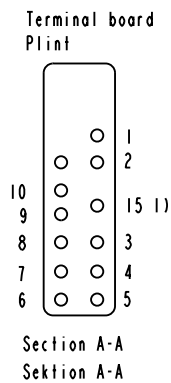


The tap-changer is shown in pos. 5
 Lindningskopplaren visad i läge 5

H Main contact M1, M2 Transition contacts
 Huvudkontakt Motståndskontakter

1) Connections between the terminals 15 of the three phases are included in the star-point type.

Förbindningar mellan uttag 15 i de tre faserna ingår i nollpunktsutförandet.



Sheet	Cont	Year	Week	Appd	Year	Week	
Rev Ind	Revision	Accepted by	Accepted for prod by	Appd	Year	Week	
Design checked by	B-O. Stenestam	Drawn by	L. Bergman				
Drawing checked by	M. Hedlund	Issued by	Dept Year Week				
			COM/TKO 97 33				
Drawn by	Form No.	Design checked by		Description (English)			DATA ORIGINAL
		M. Hedlund		CONNECTION DIAGRAM			File name
		M. Hedlund		KOPPLINGSSHEMA			0393-6
		M. Hedlund		5492 0393-6			Lang
		M. Hedlund		5492 0393-6			Sheet
		M. Hedlund		5492 0393-6			1
		M. Hedlund		5492 0393-6			Rev Ind
		M. Hedlund		5492 0393-6			Cont
		M. Hedlund		5492 0393-6			-



Asea Brown Boveri