

---

PRODUCT CATALOG

# Liquidtight flexible non-metallic conduit type B and fittings

Solutions in every area of operations



---

## XTRA FLEX® system

### Liquidtight flexible non-metallic conduit type B system

#### Introduction

A pioneering technology leader, ABB truly understands the challenges faced by the sector of flexible liquid tight non-metallic conduit systems. ABB is focused on providing solutions that address the critical issues in every area of operations, allowing customers to focus on plant sustainability, cost, quality, flexibility, safety and regulatory challenges.

ABB Liquidtight non-metallic system has expanded its top-quality line of flexible non-metallic conduit type B and fittings, making it easier than ever for you to find exactly what you need for your application.

The XTRA FLEX® Type B conduit system from ABB offers a lightweight, liquidtight flexible conduit solution and a tough, reusable, non-metallic liquidtight fitting range for demanding applications. The XTRA FLEX® system ensures fast, easy installations and long-lasting, high performance in a variety of environments.

All the fittings and conduit have been rigorously tested to ensure that they meet the same special standards.

#### System features

- Quick and easy installation — even in tight, cramped spaces
- Corrosion resistant
- High pullout resistance
- Lightweight and liquidtight
- Meet the watertight requirements for Type 4 and Type 4x
- Tested to CSA and UL requirements
- Approved for direct-burial applications



---

## XTRA FLEX® conduit type B

Smooth flexible liquid tight non metallic conduit type B

XTRA FLEX® conduit type B offers the perfect combination of flexibility, lightweight and liquid tightness for a variety of applications and environments. Its smooth outer layer is sunlight- and oil-resistant and approved for outdoor use. The smooth inner layer enables easy wire pulling making the installation easier. Our focus is on providing solutions that address critical operational issues, allowing you to focus on plant sustainability, cost, quality, flexibility, safety and regulatory challenges.

XTRA FLEX® Conduit is available on reels. Large users can save space and reduce waste, while taking advantage of the convenience of stocking bulk in lengths. Utilizing our new coupling design to connect 100-ft. lengths, ABB offers reel lengths up to 1,000 feet.

- Fast installation — even in tight, cramped spaces
- Smooth inner diameter enables easy wire pulling
- Smooth outer jacket — approved for outdoor use, sunlight resistant and oil resistant
- Tested to CSA and UL requirements
- Lightweight and liquidtight
- Marked at 1-foot intervals for fast, easy measuring
- Approved for direct-burial applications
- Industrial grade — UL® Listed/CSA Certified
- PVC material
- Liquidtight non-metallic conduit Type B
- Black color standard
- Temperature range of -18°C to +105°C (-2°F to +221°F)
- UL1660 flammability rating

### Recommended industrial applications

- Machine tools
- Motor hookups
- Food processing equipment
- Extensions from wireways
- Sensor and microswitch wiring in control consoles



## XTRA FLEX® smooth liquidtight non-metallic conduit Type B

Smooth, sunlight- and oil-resistant outer jacket, approved for outdoor use!

### Smooth liquidtight non-metallic conduit type B



Cat. No.	Conduit size (in)	I.D. (in)		O.D. (in)	
		Min.	Max.	Min.	Max.
<b>Industrial grade</b>					
LTC038	3/8	.484	.504	.690	.710
LTC050	1/2	.622	.642	.820	.840
LTC075	3/4	.820	.840	1.030	1.050
LTC100-TB	1	1.041	1.066	1.290	1.315
LTC125-TB	1 1/4	1.380	1.410	1.630	1.660
LTC150-TB	1 1/2	1.575	1.600	1.865	1.900
LTC200	2	2.020	2.045	2.340	2.375
<b>Commercial grade</b>					
LTC038GY	3/8	.484	.504	.690	.710
LTC050GY	1/2	.622	.642	.820	.840
LTC075GY	3/4	.820	.840	1.030	1.050
LTC100GY	1	1.041	1.066	1.290	1.315
LTC125GY	1 1/4	1.380	1.410	1.630	1.660
LTC150GY	1 1/2	1.575	1.600	1.865	1.900
LTC200GY	2	2.020	2.045	2.340	2.375

Rated at 600V.

XTRA FLEX® Type B suitable for use in hazardous location (for LTC Series only) where general-purpose equipment is specifically permitted by the NEC®; Class I Div. 2; Class II, Div. 1 & 2; Class III, Div. 1 & 2.

UL Listed, UL File No. E95745. CSA Certified, CSA File No. LL80349.

See technical data below. Use with Bullet® liquidtight fittings.

### XTRA FLEX® conduit

#### Specifications

<b>Material</b>	PVC
<b>Colors available</b>	Black, gray
<b>Temperature range</b>	-18°C to +105°C (-2°F to +221°F) black -18°C to +80°C (-2°F to +176°F) gray
<b>Flammability rating</b>	UL 1660
<b>Listings</b>	CSA Certified

Please contact your ABB sales representative regarding custom colors and combinations.

### XTRA FLEX® liquidtight conduit/reel lengths

Cat. No.	Size (in)	Description	Min. I.D (in)	Max. I.D (in)	Min. O.D (in)	Max. O.D. (in)	Reel length (ft)	Min. order
LTC038GY-500	3/8	Gray Type B LT Conduit	.484	.504	.690	.710	500	1,500
LTC050GY-500	1/2	Gray Type B LT Conduit	.622	.642	.820	.840	500	1,500
LTC050-500	1/2	Black Type B LT Conduit	.622	.642	.820	.840	500	Stock
LTC050GY-1000	1/2	Gray Type B LT Conduit	.622	.642	.820	.840	1,000	2,000
LTC100GY-500	1	Gray Type B LT Conduit	1.041	1.066	1.290	1.315	500	1,500
LTC100-500	1	Black Type B LT Conduit	1.041	1.066	1.290	1.315	500	1,500

UL Listed, UL File No. 95745. CSA Certified, CSA File No. LL 80349

Note: 500-ft. lengths consist of five 100-ft. sections with a coupling between each 100-ft. length.

### Dimensions



## XTRA FLEX® smooth liquidtight non-metallic conduit Type B

### XTRA FLEX® conduit technical data

#### XTRA FLEX® conduit technical data\*

Xtra flex® conduit & tubing	Style	Color	Size range (in)	UL temp rating	CSA temp rating	Voltage rating	UL Oil resistant	UL outdoor	UL direct burial
LTC038 Series	UL Type B	Black	¾"-2"	105°C Dry	75°C-18°C	600V	Yes	Yes	Yes
	LTFNMC			60°C Wet	—				
				70°C Oil					
LTC038-1, -2 Series	UL Type B	Orange, blue	½"-1"	105°C Dry	—	600V	Yes	No	Yes
	LTFNMC			60°C Wet	—				
				70°C Oil					
LTC038GY Series	UL Type B	Gray	¾"-2"	80°C Dry	—	600V	Yes	Yes	Yes
	LTFNMC			60°C Wet	—				
				70°C Oil					

LTFNMC = Liquidtight flexible non-metallic conduit

LTFNMT = Liquidtight flexible non-metallic tubing

\* For a complete test report, contact Customer Service

#### Available colours

LTC – Cat. No.	Color of conduit	Color of marking
w/o suffix	Black	Orange
-1	Orange	Black
-2	Blue	Black



## Plastic Bullet® liquidtight series for LTC non-metallic liquidtight conduit Type B and T&B® EFC flexible tubing

The BULLET® non-metallic liquidtight fitting series, easy to use, built to take it!

—  
01 Bullet &  
45 degree fitting  
—  
02 Black bullet quick  
connect fittings

This engineering breakthrough meets the demand for a tough, reusable, non-metallic liquidtight fitting, for use with XTRA FLEX® Type B conduit or flexible tubing. The BULLET® non-metallic series provides a reliable liquidtight seal that combines high pullout resistance and ease of installation.

### Engineered to meet your needs

The BULLET® non-metallic fitting series meets your performance requirements when terminating Type B liquidtight non-metallic conduit or flexible non-metallic tubing to a box or enclosure with knockout opening or threaded hub. Fittings meet the watertight requirements for Type 4 and Type 4x enclosures and conform to UL514B and CSA No. 22.2 #227.2 specifications.

### Ease of installation

Installations can be performed quickly and easily because BULLET® liquidtight fittings can be installed without disassembly. BULLET® non-metallic fittings are resistant to numerous caustics and solvents. The BULLET® fitting is economical because it can be used over and over again without sacrificing the quality of the original seal. When used with the XTRA FLEX® conduit type B you can meet most machine or industrial requirements where liquidtight protection is needed.

### Corrosion resistant. Built to take it.

The BULLET® liquidtight fitting series is manufactured from weather-resistant thermoplastic materials and is suitable for indoor or outdoor corrosive environments. The BULLET® fitting is resistant to detergents, cleaners, oils, sanitizers, paints, cutting fluids and wire pulling compounds — just about any liquid usually found in industrial, plant or marine environments. It also surpasses industry standards for cold impact.

- Outside surface has friction-reducing ridges
- Inner surface teeth bite into conduit or tubing to enhance clamping and sealing action
- Fitting ferrule designed to accept variations in conduit sizes and field conduit cuts
- Smooth ferrule profile reduces friction to ensure a tight conduit-to-fitting seal
- Friction-reducing ridges and teeth provide a true double seal and high pullout resistance
- Elongated gland nut offers additional strain relief for 90° pull and easy hand grip
- Rugged low-profile non-metallic body and gland construction provides space savings

01



02



## Bullet® liquidtight fittings

for liquidtight flexible non-metallic conduit and tubing

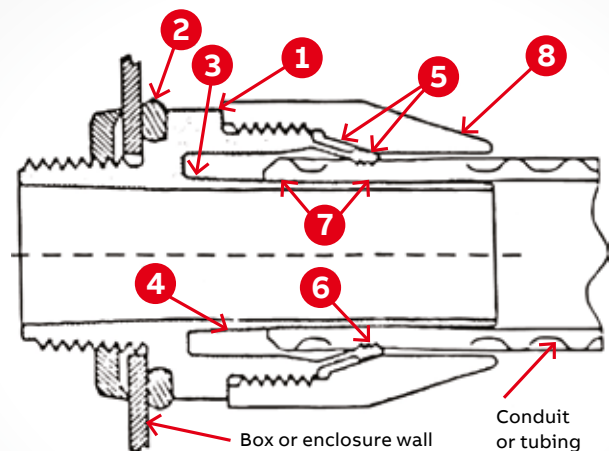


### Application

A series of non-metallic connectors designed to provide a liquidtight seal when terminating liquidtight non-metallic conduit (UL Type B) or liquidtight non-metallic tubing to a box or enclosure with knockout opening or a threaded hub.

### Plastic Bullet® liquidtight fittings features

- Connector assembles to conduit without disassembly and is designed to be installed with a positive installation criteria gland bottoms on body shoulder
- Rugged low-profile non-metallic body and gland construction (1); the connector is equipped with a steel locknut to firmly secure connector to box or an enclosure and a sealing O-Ring
- Captivated sealing O-Ring (2) with predetermined compression for a reliable seal at enclosure
- Connector ferrule designed to accept variations in conduit inside diameter and is tolerant of field conduit cuts (3)
- The profile of ferrule is designed to reduce friction between conduit I.D. and ferrule, (4) enabling conduit to seat properly for an effective seal
- Outer surface of the clamping fingers provided with friction reducing ridges (5) for ease of installation; the inner surface is designed with conduit biting teeth to enhance clamping and sealing action (6)
- Performance of connectors tested to simulate adverse installation conditions
- Provides a double sealing action (7)
- Elongated gland nut profile (8) designed to provide additional strain relief for 90° pull and an easy hand grip
- Performance of connector unaffected by exposure to detergents, cleaners and sanitizers commonly encountered in food processing plants and typical industrial environment; also unaffected by cutting fluids, wiring pulling compounds and marine environment. The connector meets industry standards for cold impact and simulated hammer blow



## Plastic BULLET® liquidtight fittings



Cat. No.	Fig.	Trade size (in)	A ±.015 (.040)		*B ±.035 (0.90)		C ±.015 (0.40) across corners		Min. throat Dia. D		E thread NPT (in)	F* (approx.)	
			(in)	(mm)	(in)	(mm)	(in)	(mm)	(in)	(mm)		(in)	(mm)
LT38P	1	3/8	.570	14.48	1.595	40.51	1.354	34.39	.417	10.59	1/2-14	—	—
LT438P	2				2.012	51.10						1.534	38.95
LT938P	3				1.380	35.05						1.880	47.75
LT50P	1	1/2	.570	14.48	1.636	41.55	1.448	36.78	.550	13.97	1/2-14	—	—
LT450P	2				2.092	53.14						1.590	40.39
LT950P	3				1.489	37.82						1.986	50.44
LT75P	1	3/4	.582	14.78	1.757	44.63	1.740	44.20	.740	18.80	3/4-14	—	—
LT475P	2				2.452	62.28						1.821	46.25
LT975P	3				1.790	45.47						2.212	56.18
LT100P	1	1	.726	18.44	1.923	48.84	2.068	52.53	.940	23.88	1-11 1/2	—	—
LT4100P	2				2.684	68.17						2.034	51.66
LT9100P	3				2.104	53.44						2.508	63.70
LT125P	1	1 1/4	.750	19.05	2.164	54.97	2.494	63.35	1.257	31.93	1 1/4-11 1/2	—	—
LT4125P	2				3.264	82.91						2.385	60.58
LT9125P	3				2.564	65.13						2.856	72.54
LT150P	1	1 1/2	.767	19.48	2.353	59.77	2.784	70.71	1.453	36.91	1 1/2-11 1/2	—	—
LT4150P	2				3.605	91.57						2.604	66.14
LT9150P	3				2.854	72.49						3.144	79.86
LT200P	1	2	.794	20.17	2.605	66.17	3.362	85.39	1.883	47.83	2-11 1/2	—	—
LT4200P	2				4.210	106.93						3.050	77.47
LT9200P	3				3.432	87.17						3.675	93.34

\* After Assembly  
UL File No. E-23018. CSA File No. 52391

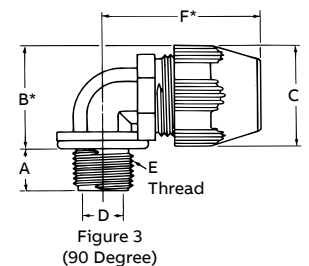
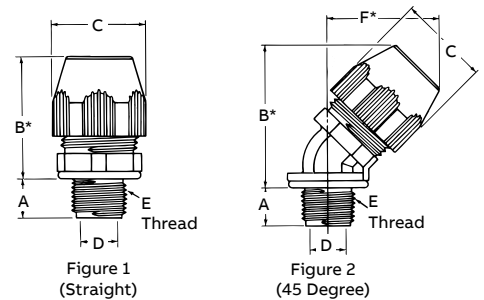
## Plastic Bullet® liquidtight fittings standard material/finish

Standard material/finish	
Body gland	Weather-stabilized thermoplastic (black)
O-Ring	Neoprene (black)
Locknut	Steel/electro-zinc plated
Material temperature rating	Thermoplastic -40°C to 105°C
Material flammability rating	UL 94-V2

## Plastic Bullet® liquidtight fittings listings/compliances

Listings/compliances	
UL (File# E23018)	
CSA (File# LR52391)	
CSA 22.2 #227.2 & CSA 22.2 #227.3	
ANSI/UL 514B	
Watertight requirements of Type 4 and Type 6 enclosures	
Federal Standard H28 (NPT threads)	
Straight fittings are approved for direct-burial applications	

## Dimensions





# BULLET® Quick connect™ liquidtight fitting

For liquidtight flexible non-metallic conduit



Bullet® Quick Connect™ fitting allows for a fast and effective installation, greatly speeding up the process!

### Features & benefits

- Single-piece fitting (no locknut required)
- Quick and easy installation without access to the inside
- Corrosion resistant
- Connector assembles to conduit without disassembly
- Provides a double sealing action
- Swivel mechanism allows for a fast and easy conduit installation
- Elongated gland nut profile designed to provide additional strain relief for 90° pull and an easy hand grip
- Connector ferrule designed to accept variations in conduit inside diameter and is tolerant of field conduit cuts
- Performance of fitting unaffected by exposure to detergents, cleaners, and sanitizers commonly encountered in food processing plants and typical industrial environment; also unaffected by cutting fluids, wiring pulling compounds and Marine environment
- Meets industry standards for cold impact

### Applications

- A series of non-metallic connectors designed to provide a liquidtight seal when terminating liquidtight non-metallic conduit (U.L. Type B) to a box
- Ideal for panel builders and volume installers

### Conforms to

- C.S.A. 22.2 No. 18.3-12
- ANSI/UL514B
- Watertight requirements of Type 4 and Type 4x

### Material / Materials / Finishes

- Body Gland: Weather stabilized thermoplastic
- Friction washer
- Material Flammability rating: UL94-V2

### Temperature range

- -18°C to +105°C (-2°F to +221°F)

### Color

- Black
- Gray
- Light gray

### Chemical resistance

- See publication TDS000081

### Technical data



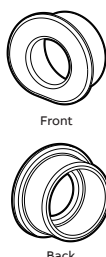
Part no.*	Trade size (in)	A ±0.015 (0.40)		B ±0.035 (0.90)		C ±0.015 (0.40) Across corners		D across flats		E min. throat dia.		Hole size max.		Hole size min.	
		(in)	(mm)	(in)	(mm)	(in)	(mm)	(in)	(mm)	(in)	(mm)	(in)	(mm)	(in)	(mm)
<b>LT38P-QC series straight fittings</b>															
LT38P-QC-X**	3/8	0.393	10.00	2.61	66.51	1.075	27.30	0.978	24.84	0.409	10.40	0.695	17.65	0.742	18.85
LT50P-QC-X	1/2	0.393	10.00	2.57	65.44	1.244	31.60	1.135	28.84	0.541	13.75	0.860	21.84	0.902	23.01
LT75P-QC-X	3/4	0.393	10.00	2.81	71.55	1.437	36.50	1.327	33.70	0.700	17.80	0.700	17.80	1.141	28.98
LT100P-QC-X	1	0.393	10.00	3.03	77.16	1.772	45.00	1.642	41.70	1.642	41.70	0.954	24.25	1.406	35.71

Note: Product must be installed in accordance with applicable national and local electrical codes.  
 \* Replace the "X" of the part number by one of the following:  
 B = black (RAL 9005), G = gray (RAL 7001), LG = light gray (RAL 7035)  
 \*\* UL component recognized  
 These connectors are Certified as components and intended to be used in electrical equipment, where the suitability is determined in the end use application

### Removal tool

#### Product selection

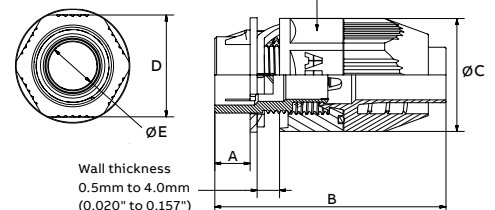
Part no.	Standard size (NPT)
NPG-038-RT	3/8
NPG-050-RT	1/2
NPG-075-RT	3/4
NPG-100-RT	1



### Removal tool

- Push from inside the enclosure using this tool to easily remove the Bullet® quick connect™ liquidtight fitting
- Sold separately (Light grey plastic - RAL 7035)

### Dimensions



## Chemical resistance guide for liquid tight fitting

**Table 1 — Behavior of EMS20-1B.1 IN: Aqueous solutions of inorganic salts at room temperature**

Salt solutions	Visual change	Ratings*	Salt solutions	Visual change	Ratings*
10% Ammonium Chloride	Unchanged	F	1% Potassium Permanganate	Decomposed	NR
10% Aluminum Chloride	Unchanged	F	10% Copper Sulfate	Unchanged	G
10% Sodium Hypochlorite (0.1% Cl <sub>2</sub> )	White coating after 18 days	G	10% Magnesium Chloride	Unchanged	G
10% Calcium Chloride	Unchanged	F	10% Magnanese Sulfate	Unchanged	G
10% Chrome Alum	Unchanged	G	10% Sodium Sulfate	Unchanged	G
10% Ferric Chloride	Unchanged yellowing	P	10% Sodium Bisulfite	Unchanged	G
5% Potassuim Dichromate	Unchanged yellowing	P	5% Mercuric Chloride	Swelled	P
10% Potassium Nitrate	Unchanged	G	10% Zinc Chloride	Unchanged	F

**Table 2 — Behavior of EMS20-1B.1 IN: Acids, bases, halogens, etc.**

Reagent	Temp (°F)	Visual change	Ratings*
Sulfuric Acid (Conc)	75	Dissolves	S, NR
Sulfuric Acid (Dilute)	75	Partially dissolves	P, NR
Hydrochloric Acid (Conc)	75	Dissolves	S, NR
Hydrochloric Acid (Dilute)	75	Partially dissolves	P, NR
Hydrochloric Acid (20–40%)	73	Etched after 1 sec.	P
Phosphoric Acid (Conc)	75	Dissolves	S, NR
Nitric Acid (Conc)	75	Dissolves	S, NR
Acetic Acid (Conc)	75	Partially dissolves	P, NR
Acetic Acid (Conc)	200	Dissolves	S, NR
Acetic Acid (Dilute)	75	Etched	F, NR
Formic Acid (Conc)	75	Dissolves	S, NR
Formic Acid (Dilute)	75	Partially dissolves	P, NR
Chlorine	—	Strong attack	NR
Bromine	—	Strong attack	NR
Phenol	75	Dissolves	S, NR
O-Chlorophenol	75	Dissolves	S, NR
m-Chlorophenol	75	Dissolves	S, NR
p-Chlorophenol	75	Dissolves	S, NR
Cresol	75	Dissolves	S, NR
Dimethylformamide	75	Strong attack	NR
gamma-Butyrolactone	75	Strong attack	NR
Xylenols	75	Dissolves	S, NR
Sodium Hydroxide (1%)	73	Unchanged	E
Sodium Hydroxide (5%)	73	Minimal effect	E
Sodium Hydroxide (5%)	158	Minimal effect	E
Sodium Hydroxide (10%)	73	Minimal effect	E
Sodium Hydroxide (10%)	158	Some “crazing” after 30 days	P
Potassium Hydroxide (5%)	73	Minimal effect	E
Potassium Hydroxide (5%)	158	Minimal effect	E
Potassium Hydroxide (10%)	73	Minimal effect	E
Potassium Hydroxide (10%)	158	Some “crazing” after 30 days	P
Hydrogen Peroxide (0.5%)	73	Unchanged	G
Hydrogen Peroxide (1%)	73	Brittle after 54 days	NR
Hydrogen Peroxide (3%)	73	Brittle after 54 days	NR
Hydrogen Peroxide (10%)	73	Degrades	NR
Hydrogen Peroxide (30%)	73	Degrades	NR

**Table 3 — Behavior of EMS20-1B.1 IN: Organic solvents at room temperature**

Reagent	Visual change	Ratings*
Benzyl Alcohol	Coarse surface after 2 days	NR
Butyl Alcohol	Temporary loss of stiffness	G
Ethyl Alcohol	Temporary loss of stiffness	G
Isopropyl Alcohol	Temporary loss of stiffness	G
Methyl Alcohol	Temporary loss of stiffness	G
Butyl Acetate	Temporary loss of stiffness	G
Ethyl Acetate	Unchanged	E
Methyl Acetate	Unchanged	E
Amyl Acetate	Unchanged	E
Ether (Diethyl)	Unchanged	E
Tetrahydrofuran	Unchanged	E
Acetone	Unchanged	E
Benzaldehyde	Unchanged	E
Cyclohexanone	Unchanged	E
Dichlorethylene	Unchanged	E
Trichlorethylene	Temporary loss of stiffness	G
Perchlorethylene	Temporary loss of stiffness	G
Dichlormethane	Unchanged	E
Chloroform	Temporary loss of stiffness	G
Carbon Tetrachloride	Temporary loss of stiffness	G
Carbon Disulfide	Unchanged	E
Pyridine	Unchanged	E
Benzene	Unchanged	E
Monochlorobenzene	Unchanged	E
Toluene	Unchanged	E
Xylene	Unchanged	E
Kerosene	Unchanged	E
Turpentine	Unchanged	E
Tetralin	Unchanged	E
Decalin	Unchanged	E
Gasoline	Unchanged	E
Petroleum	Unchanged	E
Mineral Oil	Unchanged	E
Resorcinol	Dissolves	NR

\* These abbreviations are used for the ratings: E – Excellent, G – Good, F – Fair, P – Poor, NR – Not recommended, S – Solvent

This document serves as a guideline only and compatibility should be verified in the application environment to ensure suitability. Many factors can determine the exact suitability, such as temperature, duration of contact, nature of contact such as submersion and concentration of the chemicals involved.

## Appendix

### Part number index

Part. No.	GID No.	Page	Part. No.	GID No.	Page
LTC038	7TAD012620R0000	4	LT200P	7TAD012550R0004	8
LTC050	7TAD012610R0004	4	LT438P	7TAD012570R0002	8
LTC075	7TAD012610R0008	4	LT450P	7TAD012550R0009	8
LTC100-TB	7TAD012610R0010	4	LT475P	7TAD012550R0011	8
LTC125-TB	7TAD012610R0012	4	LT4100P	7TAD012550R0006	8
LTC150-TB	7TAD012610R0013	4	LT4125P	7TAD012570R0000	8
LTC200	7TAD012610R0014	4	LT4150P	7TAD012570R0001	8
LTC038GY	7TAD012620R0002	4	LT4200P	7TAD012550R0008	8
LTC050GY	7TAD012610R0006	4	LT938P	7TAD012570R0003	8
LTC075GY	7TAD012610R0009	4	LT938PISO20	7TAD012580R0004	8
LTC100GY	7TAD012610R0011	4	LT950P	7TAD012550R0022	8
LTC125GY	7TAD012620R0008	4	LT950PISO20	7TAD012580R0005	8
LTC150GY	7TAD012620R0009	4	LT975P	7TAD012550R0024	8
LTC200GY	7TAD012620R0010	4	LT975PISO25	7TAD012580R0006	8
LTC038GY-500	7TAD012640R0001	4	LT9100P	7TAD012550R0017	8
LTC050GY-500	7TAD012640R0004	4	LT9125P	7TAD012550R0019	8
LTC050-500	7TAD012620R0003	4	LT9150P	7TAD012550R0020	8
LTC050GY-1000	7TAD012620R0005	4	LT9200P	7TAD012550R0021	8
LTC100GY-500	7TAD012640R0009	4			
LTC100-500	7TAD012980R0277	4			
LTC050-1	7TAD012640R0002	5			
LTC075-1	7TAD012640R0005	5			
LTC100-1	7TAD012640R0007	5			
LTC050-2	7TAD012640R0003	5			
LTC075-2	7TAD012640R0006	5			
LTC100-2	7TAD012640R0008	5			
LT38P-QC-B	7TAD012550R0026	9			
LT50P-QC-B	7TAD012550R0027	9			
LT75P-QC-B	7TAD012550R0028	9			
LT100P-QC-B	7TAD012550R0029	9			
LT38P-QC-G	7TAD012550R0030	9			
LT50P-QC-G	7TAD012550R0031	9			
LT75P-QC-G	7TAD012550R0032	9			
LT100P-QC-G	7TAD012550R0033	9			
LT38P-QC-LG	7TAD012550R0034	9			
LT50P-QC-LG	7TAD012550R0035	9			
LT75P-QC-LG	7TAD012550R0036	9			
LT100P-QC-LG	7TAD012550R0037	9			
LT38P	7TAD012550R0005	8			
LT38PISO20	7TAD012580R0001	8			
LT50P	7TAD012550R0013	8			
LT50PISO20	7TAD012580R0002	8			
LT75P	7TAD012550R0015	8			
LT75PISO25	7TAD012580R0003	8			
LT100P	7TAD012550R0000	8			
LT125P	7TAD012550R0002	8			
LT150P	7TAD012550R0003	8			



—  
**US**

ABB Installation Products  
Electrification Products division  
860 Ridge Lake Blvd.  
Memphis, TN 38120  
+1 901-252-5000

**[www.tnb.abb.com](http://www.tnb.abb.com)**