

INSTALLATION INSTRUCTIONS

ReliaGear® Merchandised lighting panelboards

ReliaGear® Merchandised neutral bonding strap kit



These instructions describe the installation of a ReliaGear Merchandised neutral bonding strap kit into a ReliaGear lighting panelboard. These kits are not for use in a standard, factory-assembled panelboard. The parts lists for the kit is found in table 1.

—
01 Installation of a new ReliaGear Merchandised neutral bonding strap kit, catalog number BNDKT, into a ReliaGear 125 A or 225 A lighting panelboard.

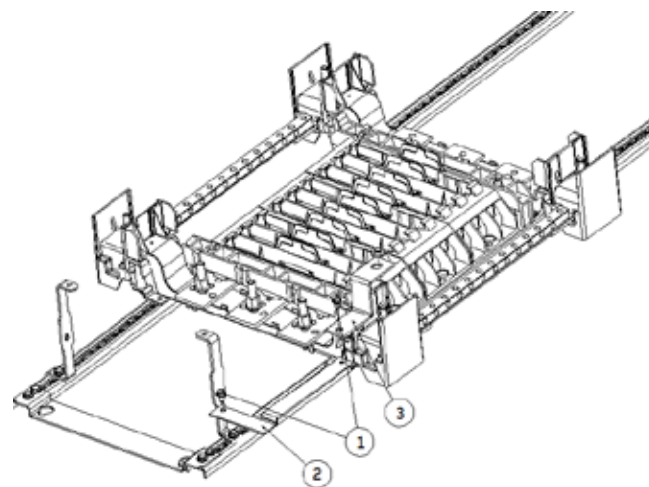
Installation ReliaGear 125 A or 225 A panelboards



Before attempting to install one of these kits, remove all power from the panelboard.

Use the following procedure to install a ReliaGear Merchandised neutral bonding strap kit, catalog number BNDKT, into a ReliaGear 125 A or 225 A lighting panelboard. Call-out numbers in figures and numbers in brackets in the text refer to the item numbers in table 1. Figure 1 shows the installation in a new panelboard.

1. Remove the four screws securing the shield to the panelboard interior. Lift off the shield and set it and the screws aside.
2. Remove the nut from the neutral assembly base. Place bonding strap [3] on the neutral base as shown in Figure 1. Replace the nut. Mount bracket [2] on the rail and bonding strap [3] to bracket [2] with two #10–32 x 3/8 screws [1].
3. Tighten the screws and nut to 27–36 in-lb and 40 in-lb, respectively. Reassemble the shield to the interior with the four screws removed in step 1.



—
01

02 Figure 2. Installation of a new ReliaGear Merchandised neutral bonding strap kit, catalog number BNDKT6, into a ReliaGear 400 A or 600 A lighting panelboard.

ReliaGear® 400 A or 600 A panelboards



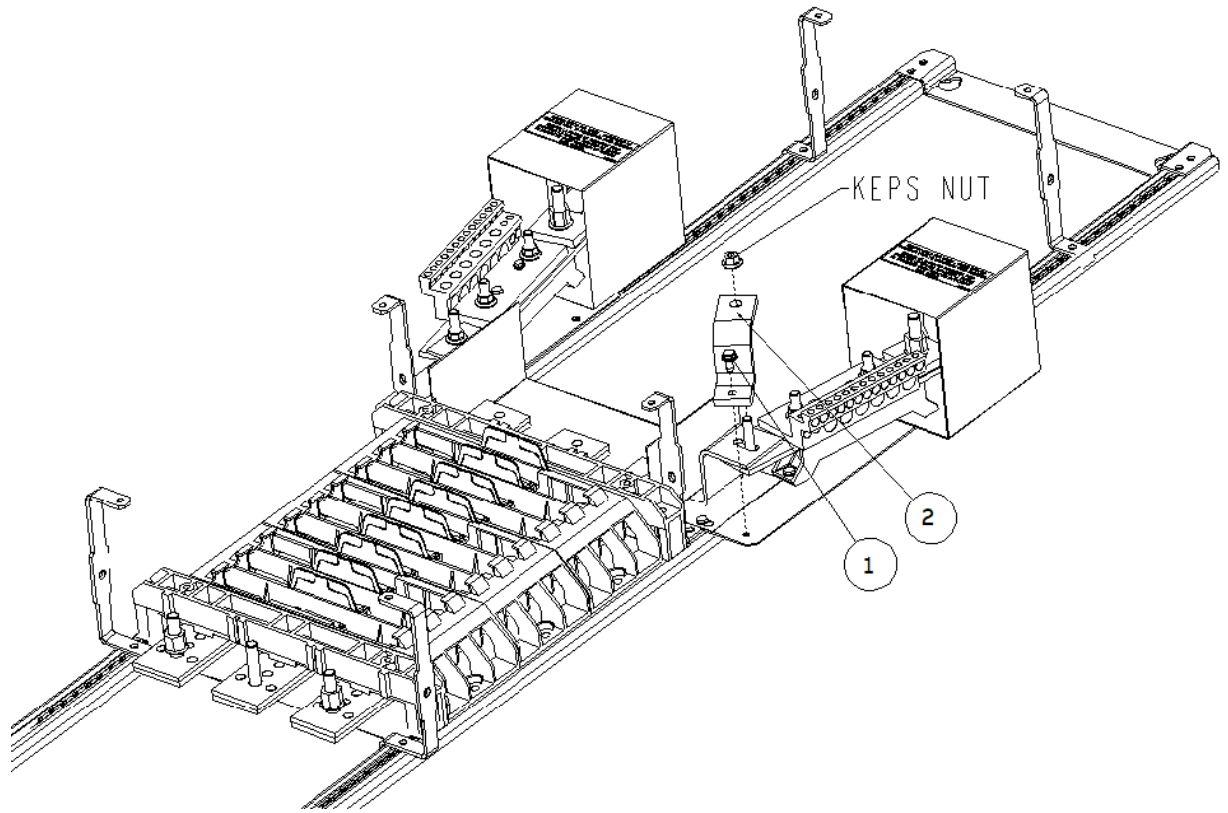
Before attempting to install one of these kits, remove all power from the panelboard.

Use the following procedure to install a ReliaGear Merchandised neutral bonding strap kit, catalog number BNDKT6, into a ReliaGear 400 A or 600 A lighting panelboard, as illustrated in figure 2. Call-out numbers in figure 2 and numbers in brackets in the text refer to the item numbers in table 2.

Table 2. Parts list of the neutral bonding strap kit, catalog number BNDKT6.

Item #	Description	Part #	Qty.
1	Screw, #10-32 x 3/8	N722EP16006B6	1
2	Bonding strap	10083282P2	1

1. Remove the eight screws securing the shield to the panel-board interior. Lift off the shield and place it and the screws aside.
2. Refer to Figure 2. Remove the nut on the neutral, place the strap [2] attach the strap to the neutral base plate with screw [1]. Replace the nut. Tighten screw and nut to 100-120 in-lb.
3. Reassemble the shield to the interior with the eight screws removed in step 1.



02