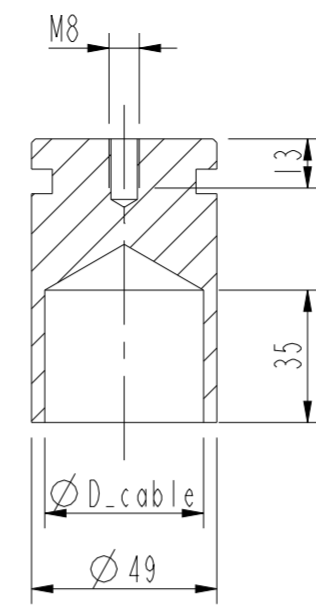
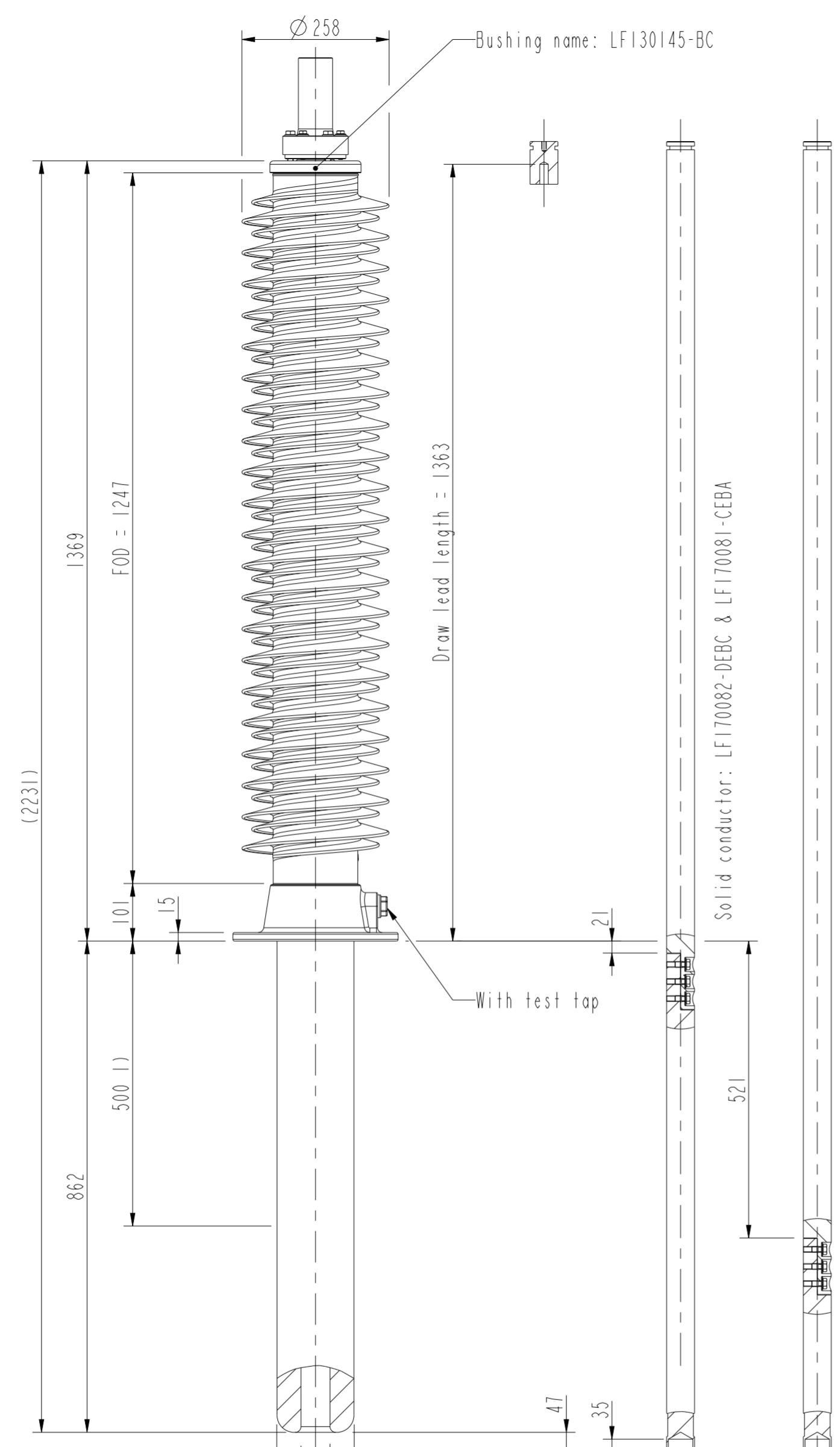


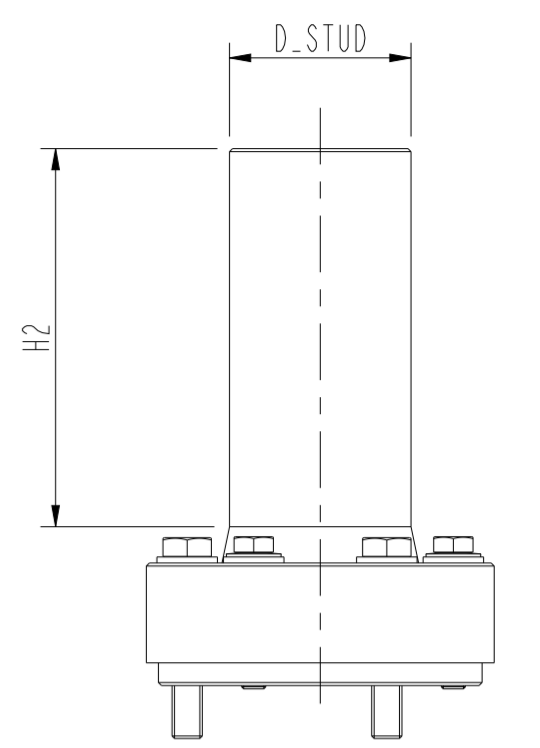
This document is issued by means of a computerized system. The digitally stored original is electronically approved. The approved document has a date entered in the "Approved"-field. A manual signature is not required.

We reserve all rights in this document and in the information contained therein. Reproduction, use or disclosure to third parties without express authority is strictly forbidden.

Revision: Revision text
F Shed profile updated.



OUTER TERMINAL			
Catalogue No	MASS	H2	D_STUD
LF170079-A	2,3	125	60
LF170079-B	1,5	125	30
LF170079-C	6,1	125	60
LF170079-D	3,5	125	30
LF170079-E	6,1	125	60
LF170079-F	3,5	125	30
LF170079-G	6,1	125	60
LF170079-H	3,5	125	30
LF170079-AD	3,4	80	40
LF170079-AE	3,4	80	40
LF170079-AF	5,0	125	2"-12 UNF



INNER TERMINAL	
Catalogue No	D_CABLE
LF170080-A	5
LF170080-B	11
LF170080-C	13
LF170080-D	15
LF170080-E	18
LF170080-F	30
LF170080-G	42
LF170080-H	45
LF170080-N	20

SOLID CONDUCTOR, UPPER	
Catalogue No	MASS
LF170081-CEBA	24,7
LF170081-EBC	33,2

SOLID CONDUCTOR, LOWER	
Catalogue No	MASS
LF170082-DCEBA	5,0
LF170082-DEBC	13,4

ELECTRICAL DATA acc. to IEC 60137			
Ratings	Rated voltage	170	kV
	Rated phase-to-earth voltage	98	kV
	Max. phase to earth voltage, temporary	170	kV
	Max. current with Cu-conductor	1600	A
	Max. current with stranded cable 740 mm ²	1250	A
	Dry lightning impulse	650	kV
	Wet power frequency	275	kV
Routine test	Dry power frequency	310	kV
Capacitance	Nominal capacitance	400	pF

GENERAL DATA			
Silicone rubber insulator	Creepage distance	4595	mm
	Protected creepage distance	2000	mm
	Color	Light gray	ANSI 70
Mass	Bushing	51	kg
Cantilever load	Cantilever test load, according to IEC 60137	4000	N
	Max. cantilever operating load, bushing	2000	N
Temp. class	According to IEC 60137	Class	3
Mounting and service instructions		2750515-115	

ELECTRICAL DATA acc. to ANSI C57.19.00			
Ratings	Insulation class	138	kV
	Rated max. line to ground voltage	102	kV
	Max. current with Cu-conductor	1600	A
	Max. current with stranded cable 740 mm ²	1250	A
Dim. requirements acc. to C57.19.1 not fulfilled			

ABB Ludvika, Sweden

GSA 145-OA1600/0.5 LF130145-BC
No.

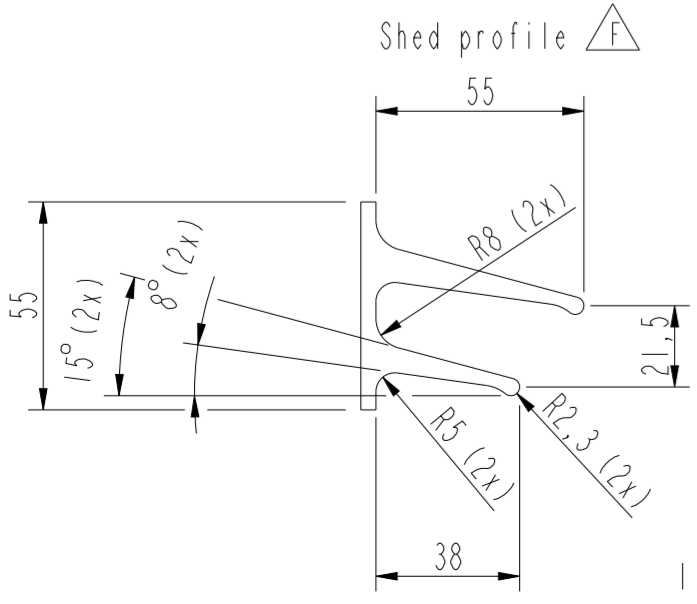
Um 170 kV Ir1600 A 50/60 Hz

BIL 650 kV SIL - kV AC 300 kV

M 51 kg L 862 mm \sphericalangle 0-90°

C1 pF Tan δ x

C2 pF Tan δ x



1) Maximum space for wall and CT.

Approved 2017-02-01	Document Kind Outline Drawing	Based on doc.id	Work order id	Project id
Company ABB AB	Title, Supplementary title Dimension drawing GSA 145-OA 1600/0.5			
Responsible Department SEABB-9AAE300824	Måttskiss GSA 145-OA 1600/0.5			
ABB	Document id 2751362-EBC	Status Released	Revision F	Iteration 1/1