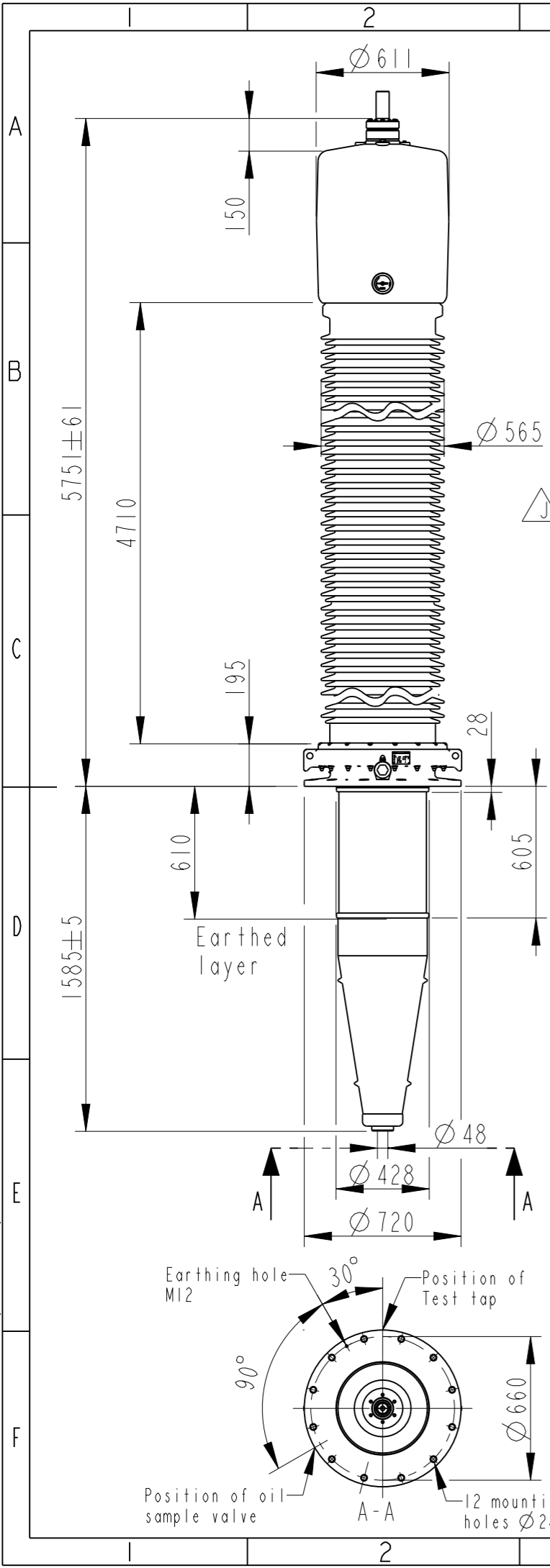


This document is issued by means of a computerized system. The digitally stored original is electronically approved. The approved document has a date entered in the "Approved"-field. A manual signature is not required.

We reserve all rights in this document and in the information contained therein. Reproduction, use or disclosure to third parties without express authority is strictly forbidden.



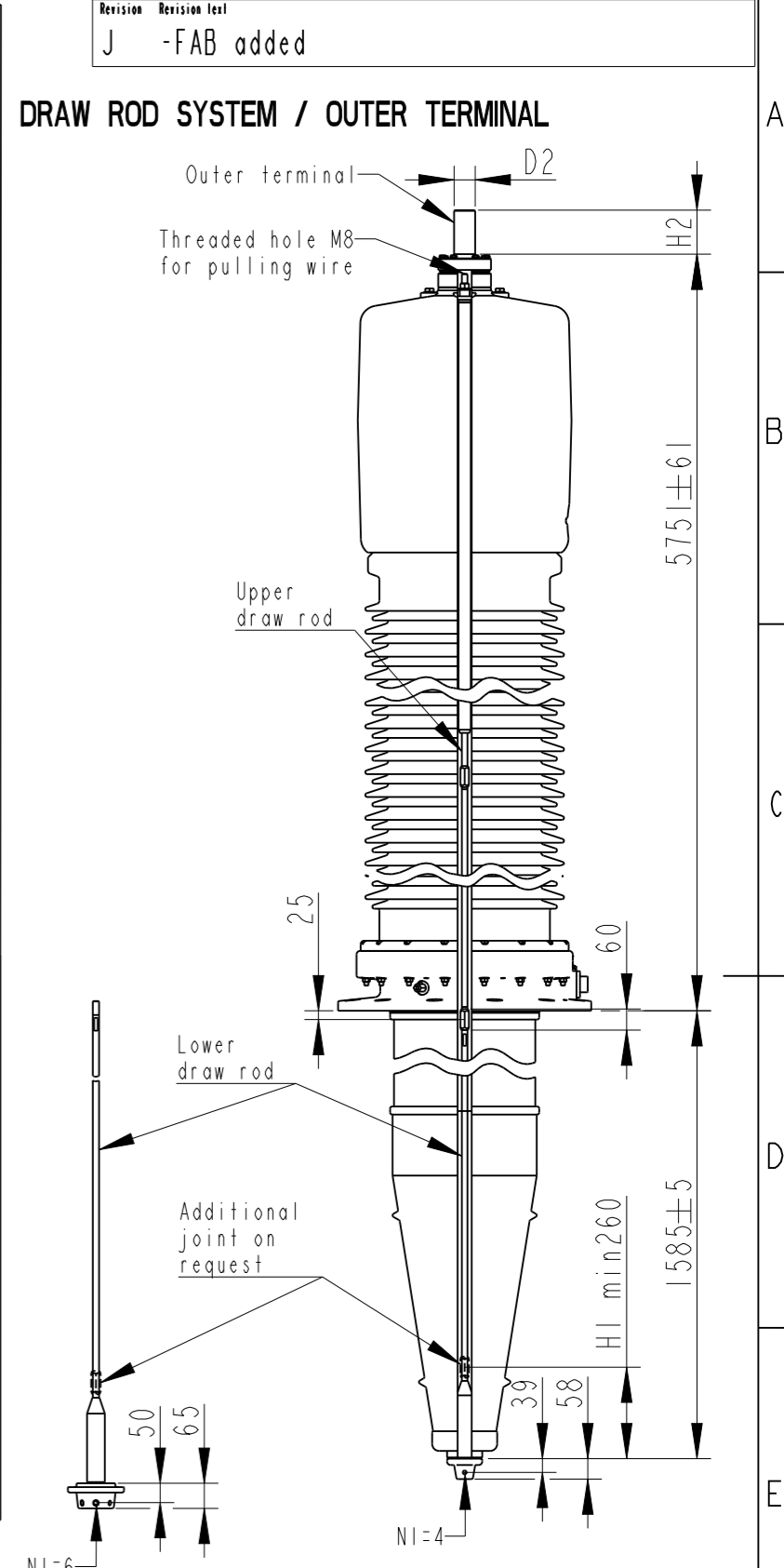
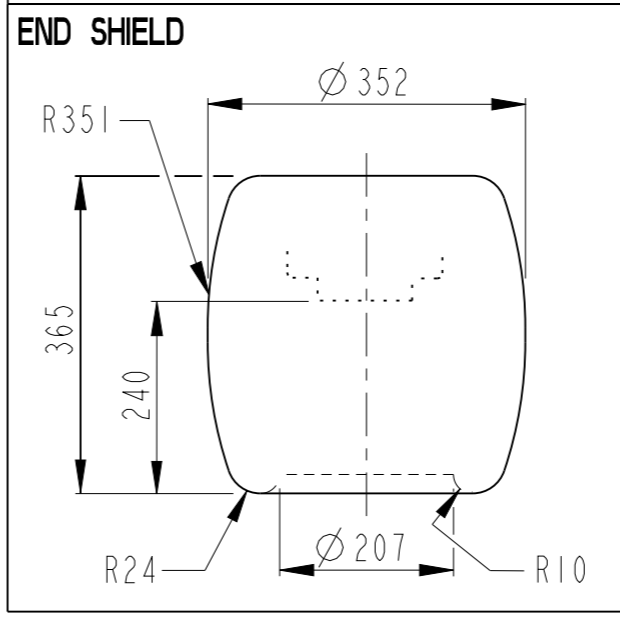
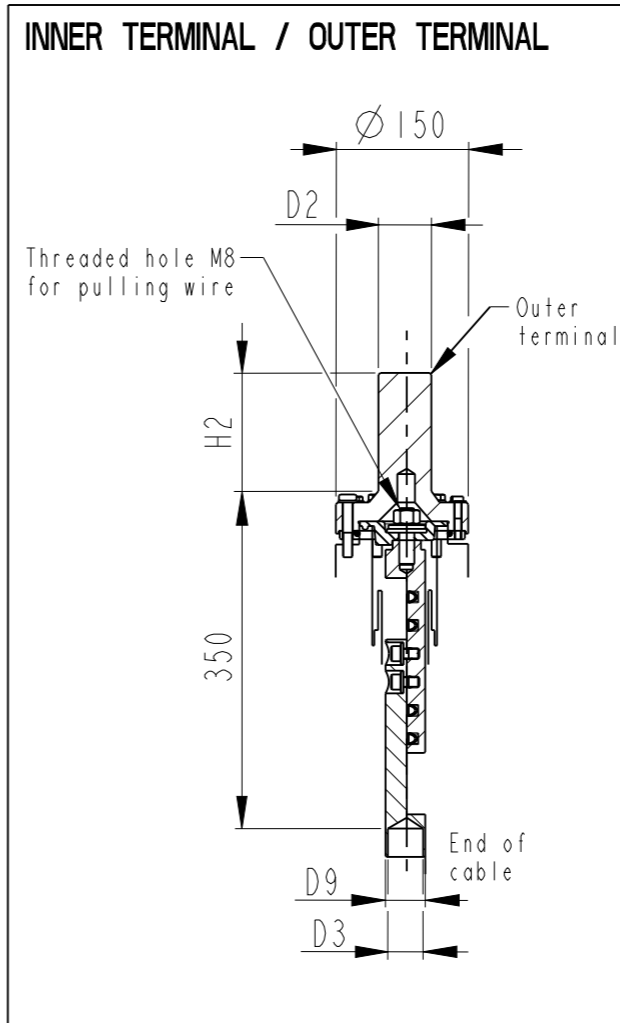
Bushing Data:

Rated Voltage	550	kV
Phase to-earth Voltage	318	kV
Dry Lightning Impulse 1,2/50µs	1800	kV
Wet Switching Impulse	1360	kV
Wet Power frequency AC	N/A	kV
Routine test Imin dry 50Hz	870	kV
Rated Current	2500	A
Creepage Distance	18020	mm
Mass	2030	kg

Ordering Data:

BUSHING		COLOUR AIR INSULATOR				
IZSC902550-CAB		BROWN				
IZSC902550-FAB		GREY				
OUTER TERMINAL		Max. Rated H2	D2			
		Current (A)	(mm)			
LF170 073-A	Al	2500	125 60			
LF170 073-B	Cu	4000	125 60			
LF170 073-G	Cu/Ag	4000	125 60			
LF170 073-L	Cu/Sn	4000	125 60			
LF170 073-BA	Cu/Ag	3000	125 2"-12UN			
LF170 073-AA	Cu	5000	125 96			
END-SHIELD		EPOXY INSULATED				
LF170 046-V		INSULATED WITH 3 mm PRESSBOARD				
LF170 046-VP						
DRAW ROD SYSTEM		LOWER DRAW ROD WITH NI=4 OR NI=6				
LF170 059		UPPER DRAW ROD				
LF170 057						
INNER TERMINAL		D3	D9	Cond.area	Current (A)	
		(mm)	(mm)	(mm ²)	IEC	IEEE
LF170 056-E	0 *	45	-	-	-	-
LF170 056-D	40	45	600	1600	1360	

*) WITH PILOT HOLE D=5



NI=Number of holes M12, equipped with thread insert with screw lock, depth 20, for cable lugs.

ABB		Ludvika, Sweden	
No.			
Um/Uy	kV Ir	A	50/60 Hz
BL	kV SL	kV AC	kV
M	kg L	mm	°
C1	pF	Tan δ	x
C2	pF	Tan δ	x

Created by	Jonas Linger	Reviewed by	Joakim Persson	Approved by	Natalia Gutman						
Approved	2018-03-28	Document Kind	Assembly Drawing	Based on doc.id	Work order id	Project id					
Company	ABB Technology Ltd	Title, Supplementary title	GOE 1800-1360-2500-0.6								
Responsible Department	SEABB-9AAE300824		GOE 1800-1360-2500-0,6								
ABB		Document id	2751369-326	Status	Released	Revision	J	Iteration		Sheet	1/1