

18

17

16

15

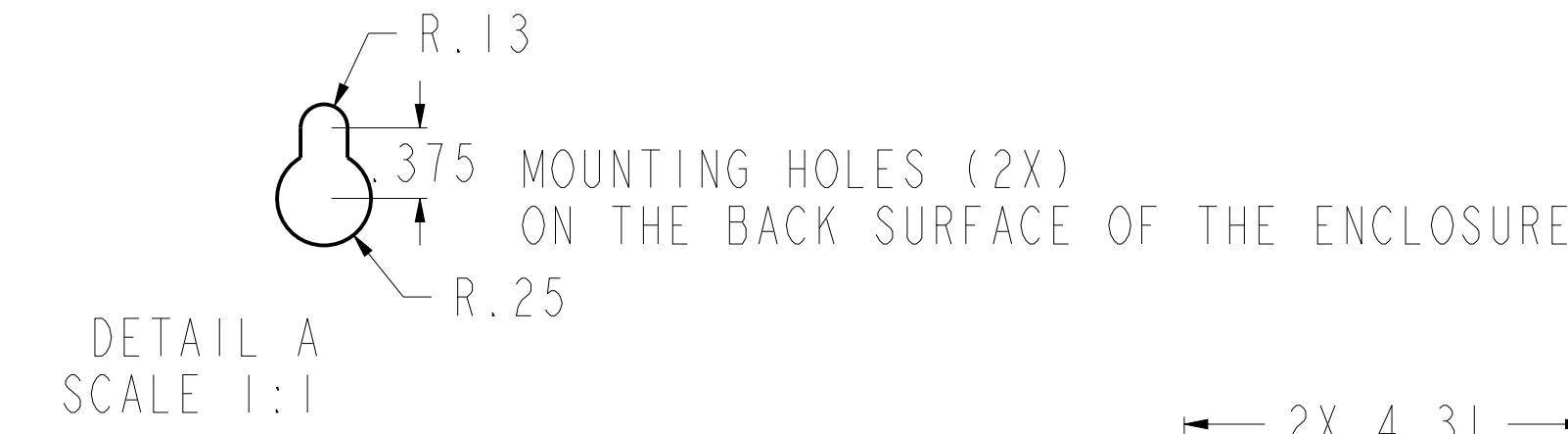
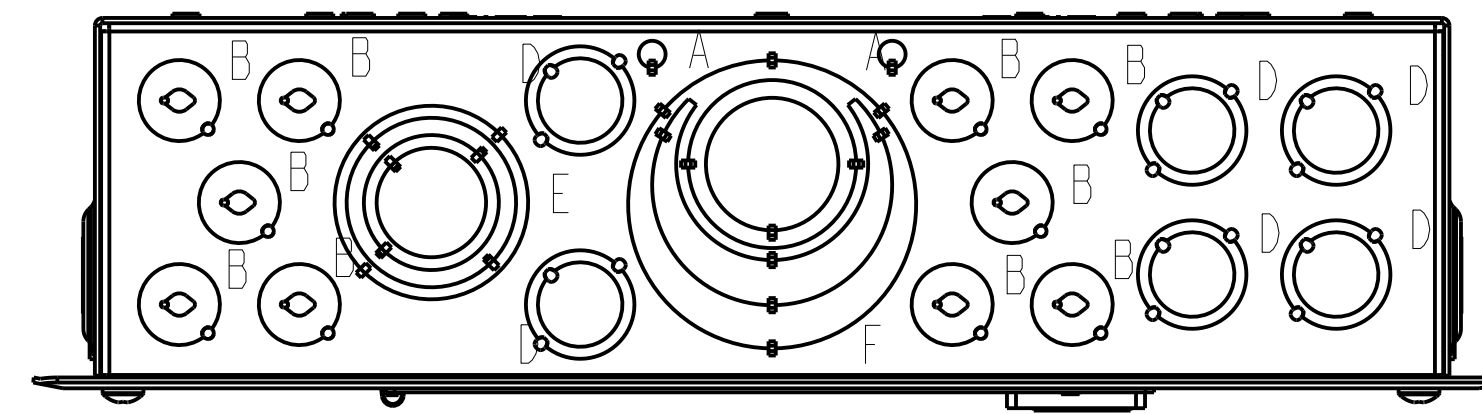
14

13

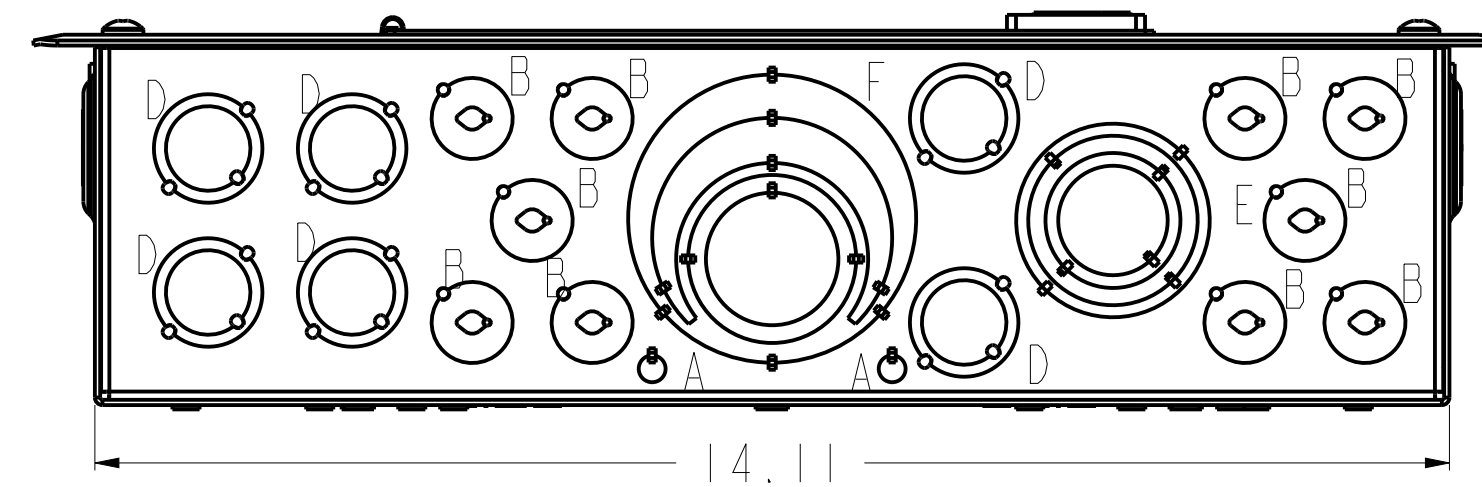
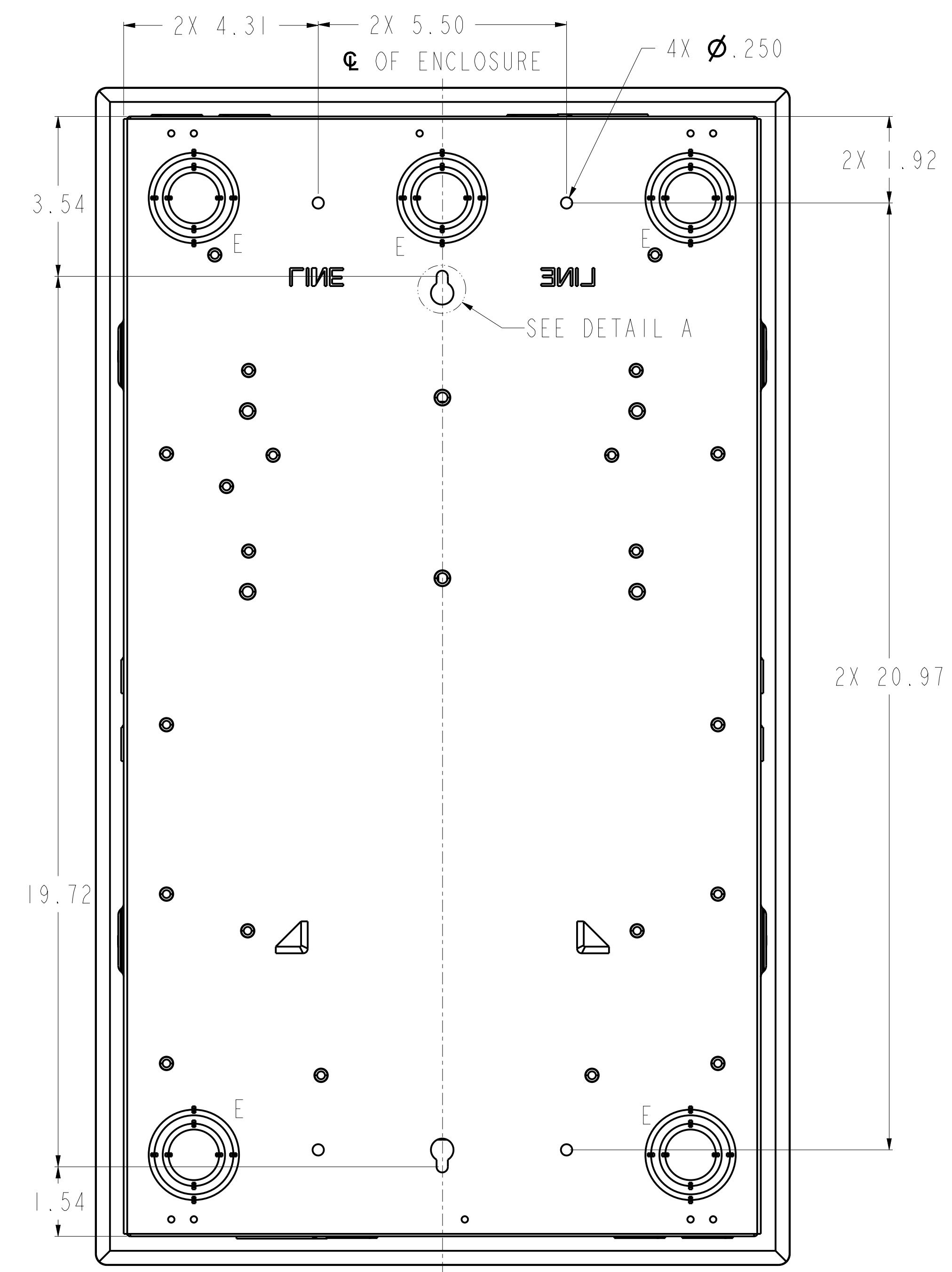
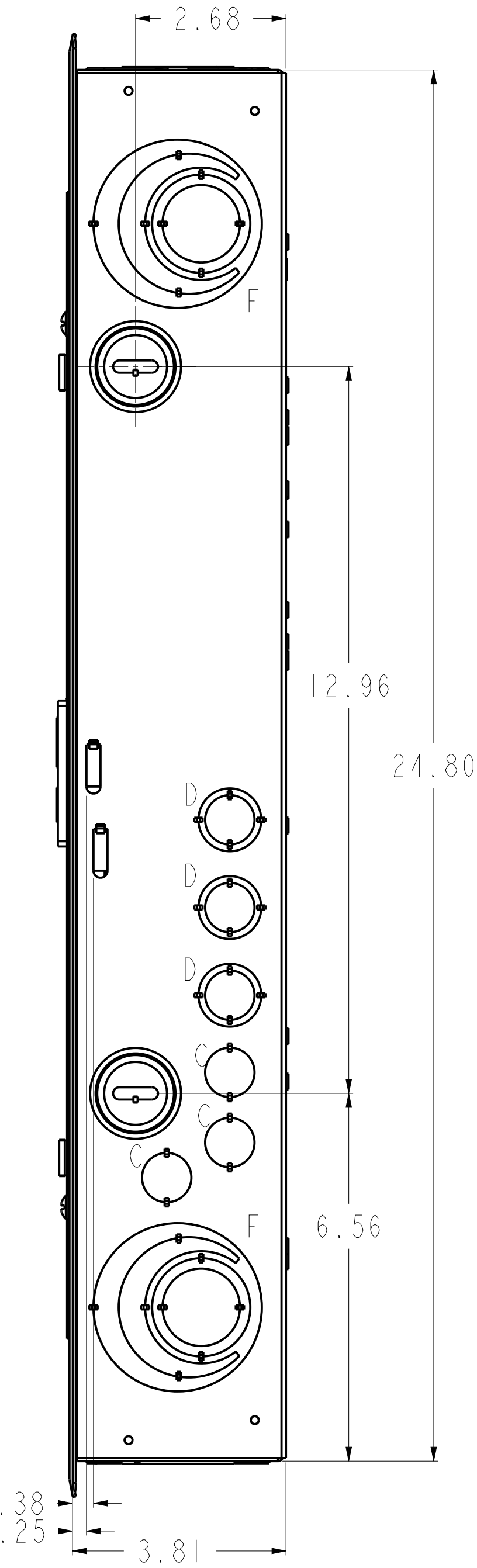
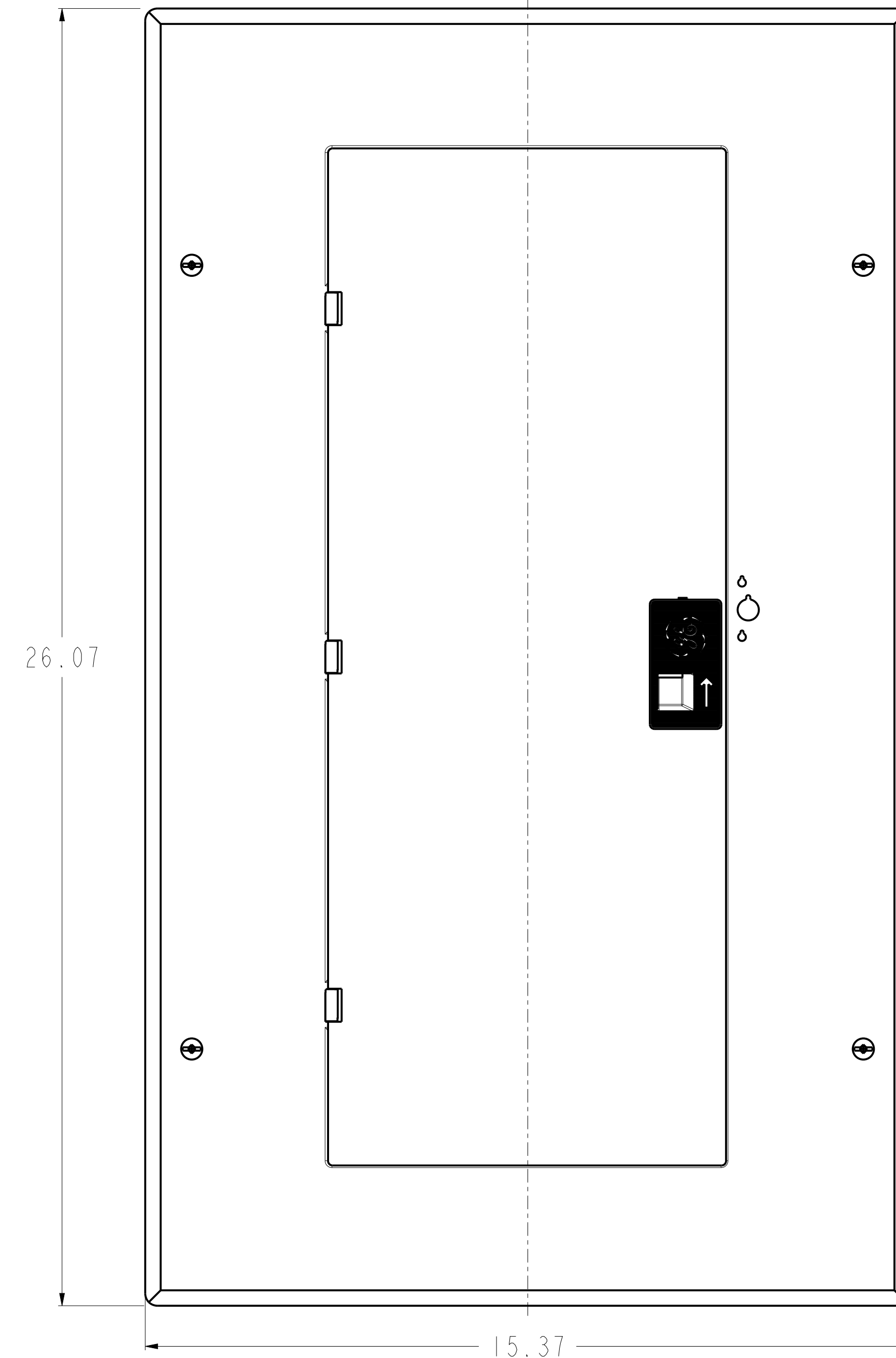
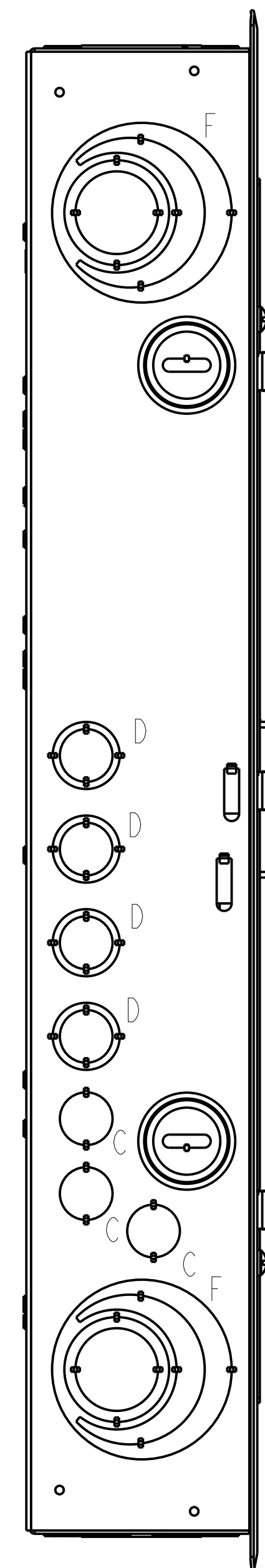
12

11

CAT NO.	MODEL
PLM2412C	1
PLM2412W	1
PM2410C	1
PM2410W	1
PM2412C	1
PM2412W	1



Ø OF ENCLOSURE



14.11

ALL DIMENSION HAVE +/- .125 TOLERANCE

KNOCKOUT TABLE		
SYMBOL	SIZE	QTY
A	9/32 KO	4
B	1/2 KO DIAMOND	20
C	1/2 KO	6
D	1 1/2 3/4 KO	19
E	3/4 - 1 - 1 1/4 - 1 1/2 KO	7
F	1 x 1 1/4 - 1 1/2 - 2 - 2 1/2 KO	8

**ABB**

OUTLINE DRAWING 24 CKT, 100-125 A  
INDOOR LOAD CENTER ASM ENCL 24.69"

THIRD ANGLE	SHEET#	DWG NO.	DATE	REV
	1 of 1	10103091SH252	01-Feb-22	1

18

17

16

15

14

13

12

11