

Accessories - Quick pole assembly

Key features and benefits



FEATURES AND BENEFITS

Sphere-shaped, quick knuckle features round edges, preventing injuries and contaminant build-up on components

The quick-release mechanism is activated using one hand and one pull pin

The quick pole assembly blocks at a 90° angle when the pull pin reaches the stopper

All quick knuckle hardware is made of stainless steel

Supplied standard with unique fixture hanging hook

QUICK POLE ASSEMBLY

Operates in any kind of weather

Overall length is 10' (3 m)

Pole trade size is 1 1/2" threaded NPT

Aluminum pole trade size is 2" threaded NPT

Top pole section is 70" (1.78 m) long

Lower pole section is 50" (1.27 m) long

Set screws secure top and bottom section into the quick knuckle

QUICK KNUCKLE ASSEMBLY

Rotates 180° (90° left and right) around knuckle's center axis, allowing freedom of installation and easy adjustment

Easy one-man operation – after center bolt is loosened, use the pull pin to lock and unlock the assembly

Pre-fished with tape to ease wiring

BRACKETS

Universal mounting for 2" to 3" angle iron railings
Contact your sales representative

SAFETY FIRST

One-person operation

No ladders or lifts required

Simplified maintenance

Hot dipped galvanized steel and aluminum finishes

Frees up catwalks and walkways during maintenance

Suitable for 113 mph winds as per AASHTO LTS-4 2001

Maximum fixture weight capacity of 50 lbs.

Steel pole threads are treated and protected to prevent galvanic reaction as per AASHTO LTS-4 2001

NOTE: Please consult your local authority to confirm acceptability of the Quick pole installation in classified areas.



Standard kit

- Overall height of 10' (3 m)
- 1 1/2" NPT threads at both ends (1 1/8" O.D. pipe)
- Rotating quick knuckle assembly
- Installed with two rail angle iron mounting brackets, allowing the pole section to rotate before final positioning

Q-P-5-10-N (Galvanized steel 1 1/8" O.D. pipe)
Q-P-A-5-10-N (Aluminum 2 3/8" O.D. pipe)
Standard Kit

Note: For Canadian market, please add "-CA" to the part no. (ex: AMB-QP-A-BKT-N-CA).

Bracket sold separately

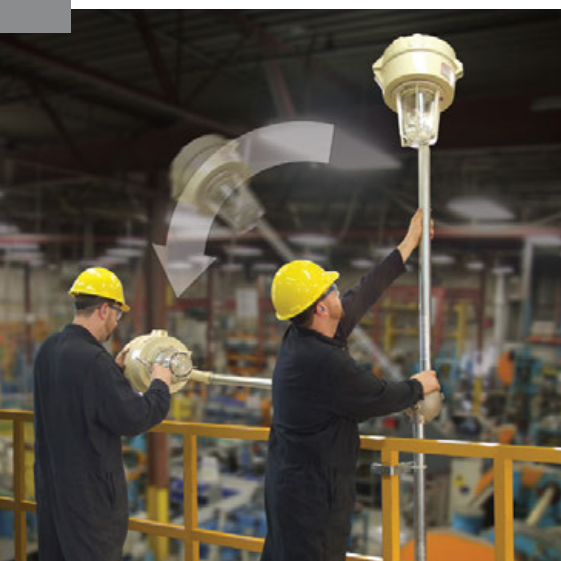
Retrofit kit

- Overall maximum and predetermined height of 10' (3 m) once assembled
- Can be adapted to existing pole
- Upgrades existing assembly with quick and easy maintenance features
- See instruction sheets provided with product for installation details
- Rotating quick knuckle assembly
- Steel and aluminum adaptor sleeve (2" ID) fits over standard 1 1/4" NPT (1.66" OD) or 1 1/2" NPT (1.90" OD) pipe

RQ-P-5-10-N (Galvanized steel 1 1/8" O.D. pipe)
RQ-P-A-5-10-N (Aluminum 2 3/8" O.D. pipe)
Retrofit Kit

Customer existing pipe (not supplied)

The quick pole assembly blocks at a 90° angle.



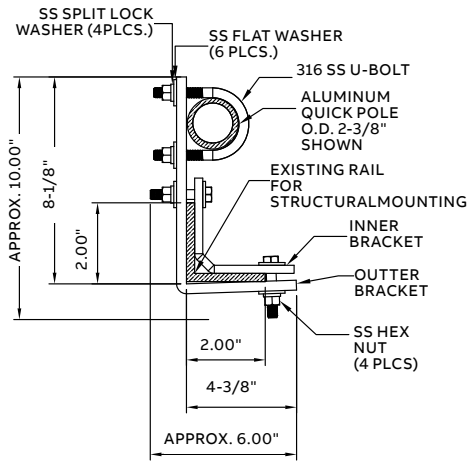
Quick pole assembly

UNIVERSAL BRACKET KIT

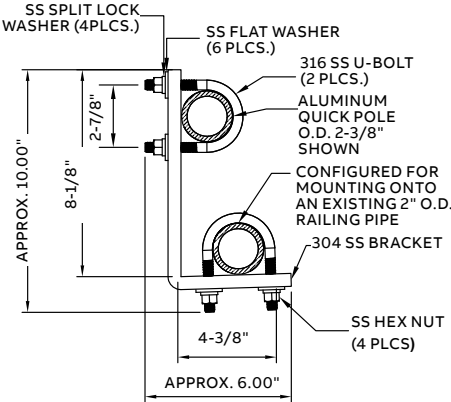
Stainless Steel (aluminium pole)

Note: For Canadian market, please add "-CA" to the part no. (ex: AMB-QP-A-BKT-N-CA).

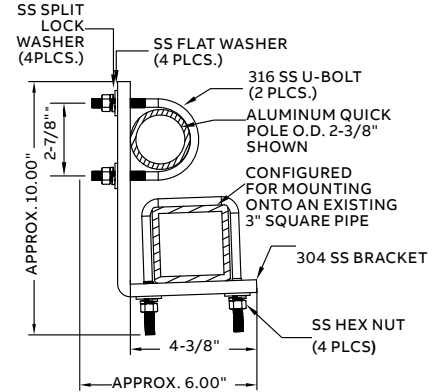
AMB-QP-A-BKT-N
Bracket for structural angle mounting



RMB-QP-A-BKT-N
Bracket for structural pole mounting



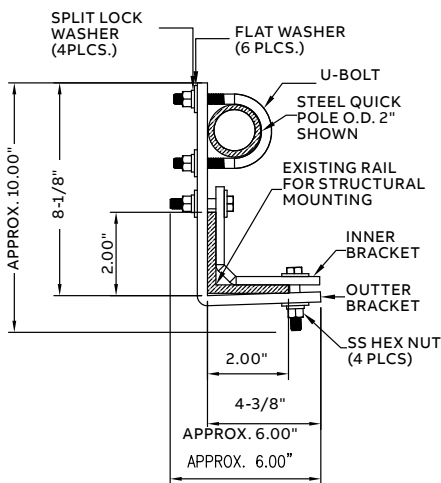
RMB-QP-A-BKT-3
Bracket for structural square mounting



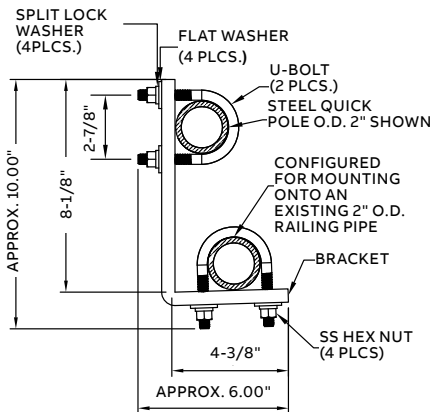
Galvanised steel (galvanized pole)

Note: For Canadian market, please add "-CA" to the part no. (ex: AMB-QP-A-BKT-N-CA).

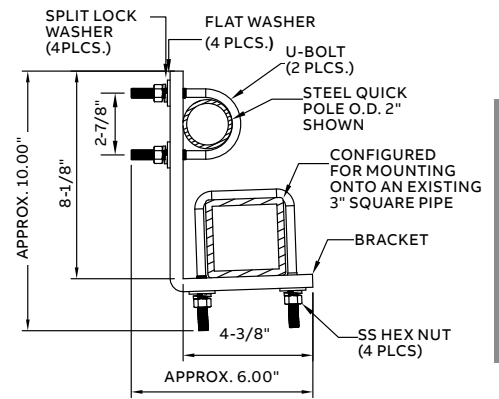
AMB-QP-BKT-N
Bracket for structural angle mounting



RMB-QP-BKT-N
Bracket for structural pole mounting



RMB-QP-BKT-3
Bracket for structural square mounting



Universal bracket kit

- Quick bolt-on installation, no welding or drilling
- Can be attached to angle iron guardrails up to 3"
- Supplied to be installed on tubular structures 2" O.D. or less but designed for up to 2-3/8" U-Bolt in both positions
- Allows the pole sections to rotate before final positioning

