

# Quick installation and start-up guide

## FCNA-01 ControlNet adapter module

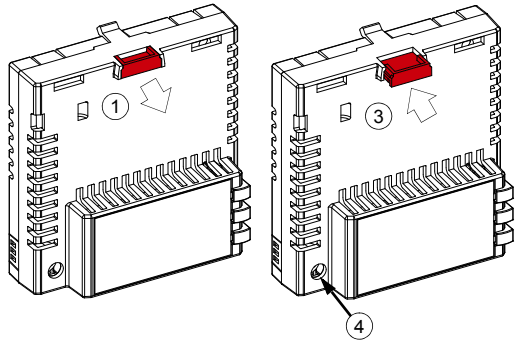
### Safety instructions



**WARNING!** Obey the safety instructions. If you ignore them, injury or death, or damage to the equipment can occur. See the user's manual.

### Mechanical installation

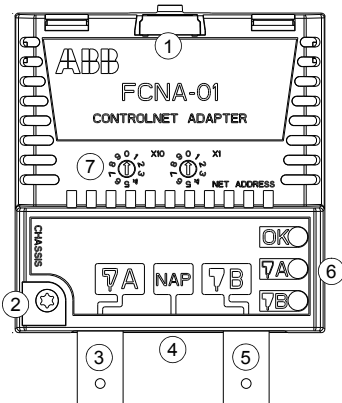
1. Pull out the lock.
2. Install the module carefully to an option module slot of the drive. See the drive hardware manual.
3. Push in the lock.
4. Tighten the screw to torque 0.8 N·m using a Torx TX10 screwdriver.



**WARNING!** Do not use excessive force, or leave the screw too loose. Over-tightening can damage the screw or module. A loose screw decreases the EMC performance, and can even cause an operation failure.

### Electrical installation

#### Layout of the module



No.	Description
1	Lock
2	Mounting and grounding screw
3	Bus connector line [A]
4	Network access port (NAP) for a temporary connection of configuration tools
5	Bus connector line [B]
6	Diagnostic LEDs
7	Node ID address selection switches

## ■ Connection procedure

1. Connect the bus cable to the BNC connectors [A] and/or [B] on the module. Use both connectors in redundant operation, otherwise use either connector [A] or [B].
2. Terminate the ControlNet bus line with a 75-ohm resistor.

## Start-up

When the module is connected to the drive, the drive control program sets the applicable parameters. See the appropriate drive manual.

## ■ Basic parameter settings

Index	Name	Value
20.01	Ext1 commands	Fieldbus A
22.11	Speed ref1 source	FBA A ref 1
28.11	Frequency ref1 source	FBA A ref 1
50.01	FBA A enable	Enable (or select the option slot in which the module is installed)
50.02	FBA A comm loss func	Fault
51.02	Profile	The ODVA AC/DC drive profile is the default value.

To take the settings into use, validate and refresh the parameters with parameter *51.27 FBA par refresh*.

Set the node address of the device with the rotary switches on the module.

## Further information

See the latest version of *FCNA-01 ControlNet adapter module user's manual* (3AUA0000141650 [English]) in ABB library ([www.abb.com/drives/documents](http://www.abb.com/drives/documents)).



*FCNA-01 manual*

For more information on fieldbus options and protocols provided by ABB Drives, see the fieldbus communications web page ([new.abb.com/drives/connectivity/fieldbus-connectivity](http://new.abb.com/drives/connectivity/fieldbus-connectivity)).



*Fieldbus communications web page*



3AXD50000158201A

3AXD50000158201 Rev A (EN) 2017-11-23