
 TECHNICAL DATA SHEET

PMA Automation - BKS & BGS - Cable Star and Holder

PMA



Secure cable installation with the help of a BKS cable star with combination of a BGS holder or BKE ball joint termination



Applications:

- The BKS cable star is used for arrangement and slight strain relief of hoses and leads in cable assemblies
- The BKS cable star must be fixed with BGS half-shells or with BKE ball joint termination
- Both BGS half-shells and BKE ball joint termination can be mounted with BSH tube clamps

Materials:

- BKS: Special polymer
- BGS: high-grade, specially formulated polyamide 6

Compatible with:

- PMA Automation - BSH - Tube clamp
- PMA Automation - BKE - Ball joint termination
- PMA Automation - BGS - Half-shells

Temperature range:

- -40°C ... +105°C continuous, +160°C short-term

Colour:

- Black

Chemical properties:

- Please refer to www.pma.ch
(Technical Information / Chemical Resistance)

Additional information:

- The BKS cable star is a non-standard product and will be tailor-made to your needs
- Prior to production, the following parameters need to be defined
 1. desired number and diameters of openings
 2. positioning of openings
(pull-through or side-access necessary)
- If specific arrangement is requested, please share CAD drawing

Environmental properties:

- Free from cadmium
- RoHS and REACH compliant

Product selection:

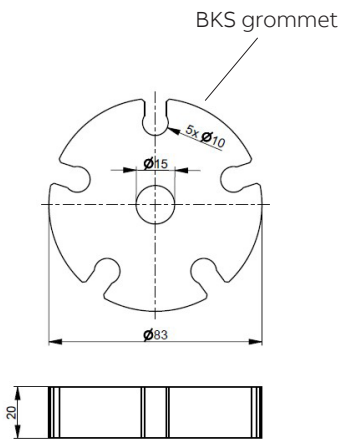
Part no.	Fits to	Conduit size	Dimensions in mm (nom.)		Weight	Packing unit
black	PMA Automation Products	NW	width	Ød2	kg/100 pcs	pcs/PU
BKS-R36/V*	BKE-R36GT	36	20.0	42.0	Var.	5
BKS-R48/V*	BKE-R48GT	48	20.0	53.0	Var.	5
BKS-R70/V*	BGS-R70 BKE-R70G	70	20.0	83.0	Var.	5

*Our customer service dept. or local distribution partner will be pleased to help you concerning product feasibility and lead time

Examples for combination possibilities

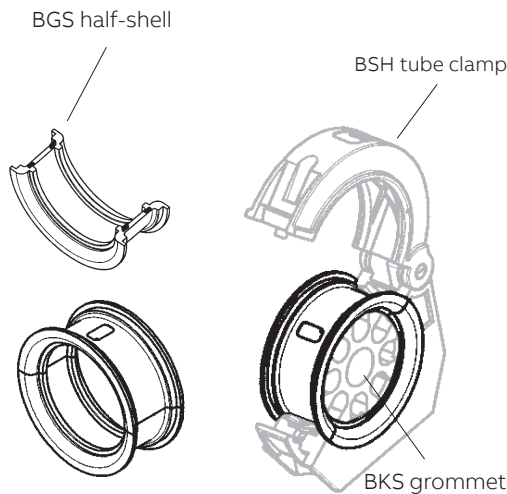
BKS Grommet

(example design)



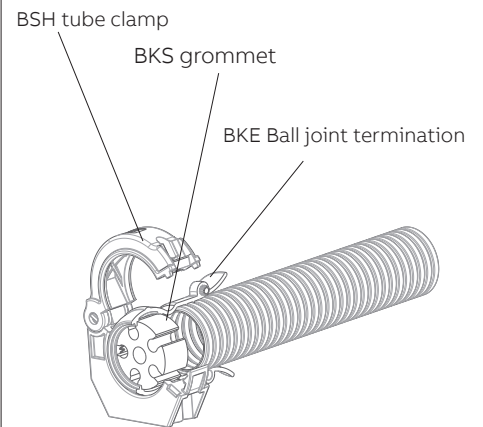
Cable grommets for individual needs

BKS + BGS + BSH



Combination with BSH tube clamp and BGS half-shells

BKS + BKE + BSH



Combination with BSH tube clamp and BKE Ball joint termination

Content of delivery:

- Order Cable star and half-shells individually

Assembly instructions:

- Possible combinations, please see above

ABB Switzerland Ltd,
PMA Cable Protection
Aathalstrasse 90
8610 Uster, Switzerland
Phone: +41 58 585 00 11
pma-info@ch.abb.com
www.pma.ch

Let's write the future.
Together. **abb.com**

We reserve the right to make technical changes or modify the contents of this document without prior notice. With regard to purchase orders, the agreed particulars shall prevail. ABB Installation Products Inc. does not accept any responsibility whatsoever for potential errors or possible lack of information in this document.

We reserve all rights in this document and in the subject matter and illustrations contained therein. Any reproduction, disclosure to third parties or utilization of its contents – in whole or in parts – is forbidden without prior written consent of ABB Inc. Copyright© 2019 ABB Installation Products Inc. All rights reserved

