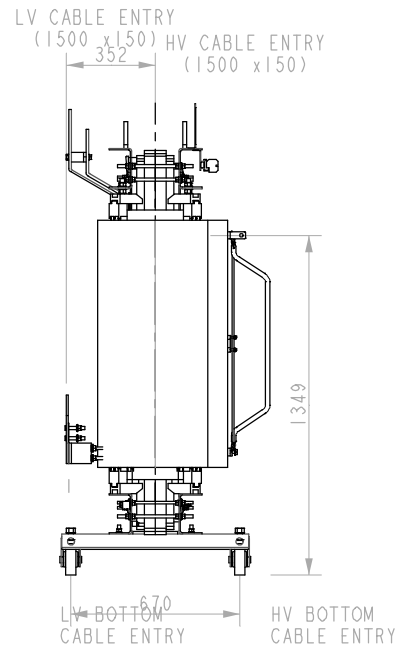
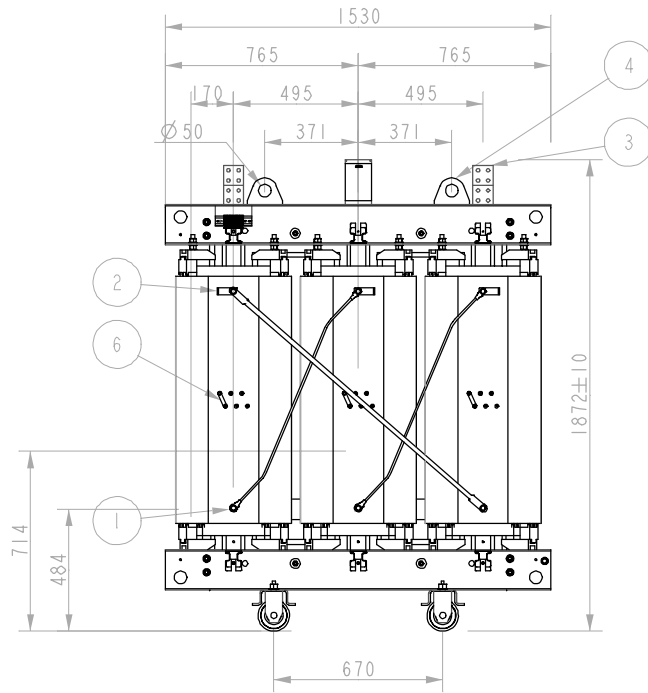
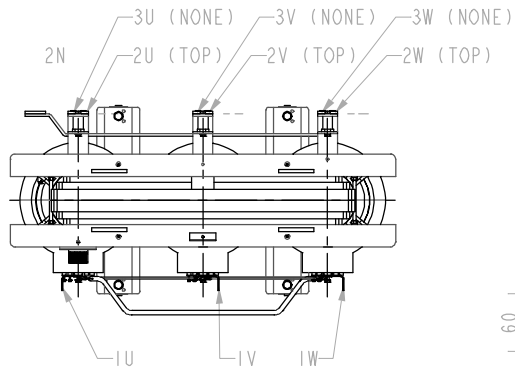
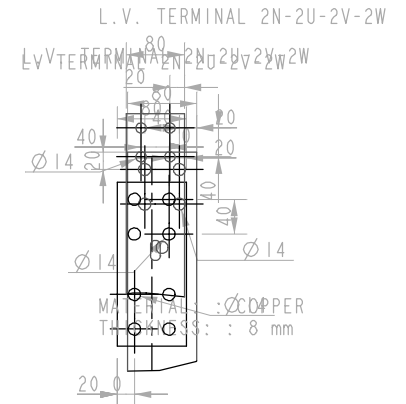


The information contained in this document is to be kept strictly confidential. Any unauthorized use, reproduction, distribution or disclosure is strictly forbidden. © Copyright 2012 ABB. All rights reserved.



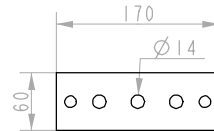
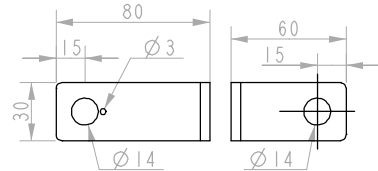
DESCRIPTION	
1	- CONNECTION BETWEEN PHASES
2	- H.V. TERMINAL
3	- L.V. TERMINAL
4	- LIFTING LUG
5	- RATING PLATE
6	- TAP CHANGER BY LINKS
7	- WHEELS Ø125x40



WEIGHT	
TRANSFORMER	1993 kg
ENCLOSURE (IP-00)	0 kg
ACCESORIES	19 kg
TOTAL WEIGHT	2012 kg

MATERIAL: : COPPER
THICKNESS: : 8.0 mm

MATERIAL: : COPPER
THICKNESS: : 5.0 mm



TOLERANCES ACCORDING TO ISO 2768-M

V.SANZ 24/10/2012	-			
P.ESTELLA 24/10/2012	-			
-	0.052	2011.8 kg	FA000143	
				CROQUIS POWER (kVA):800 , kV Class:24
				2
				ILES250745-CR
				1

Zone	Rev.	Description	Date	Approved