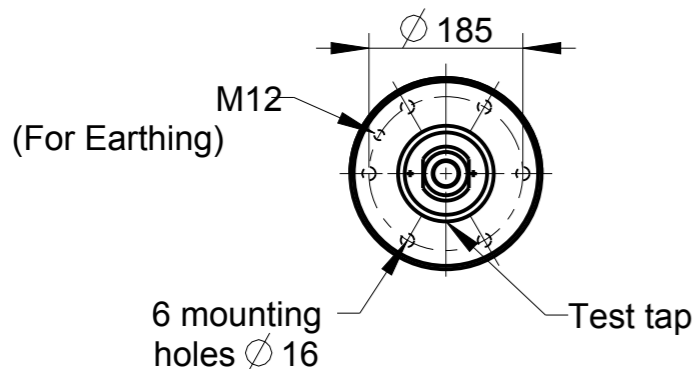
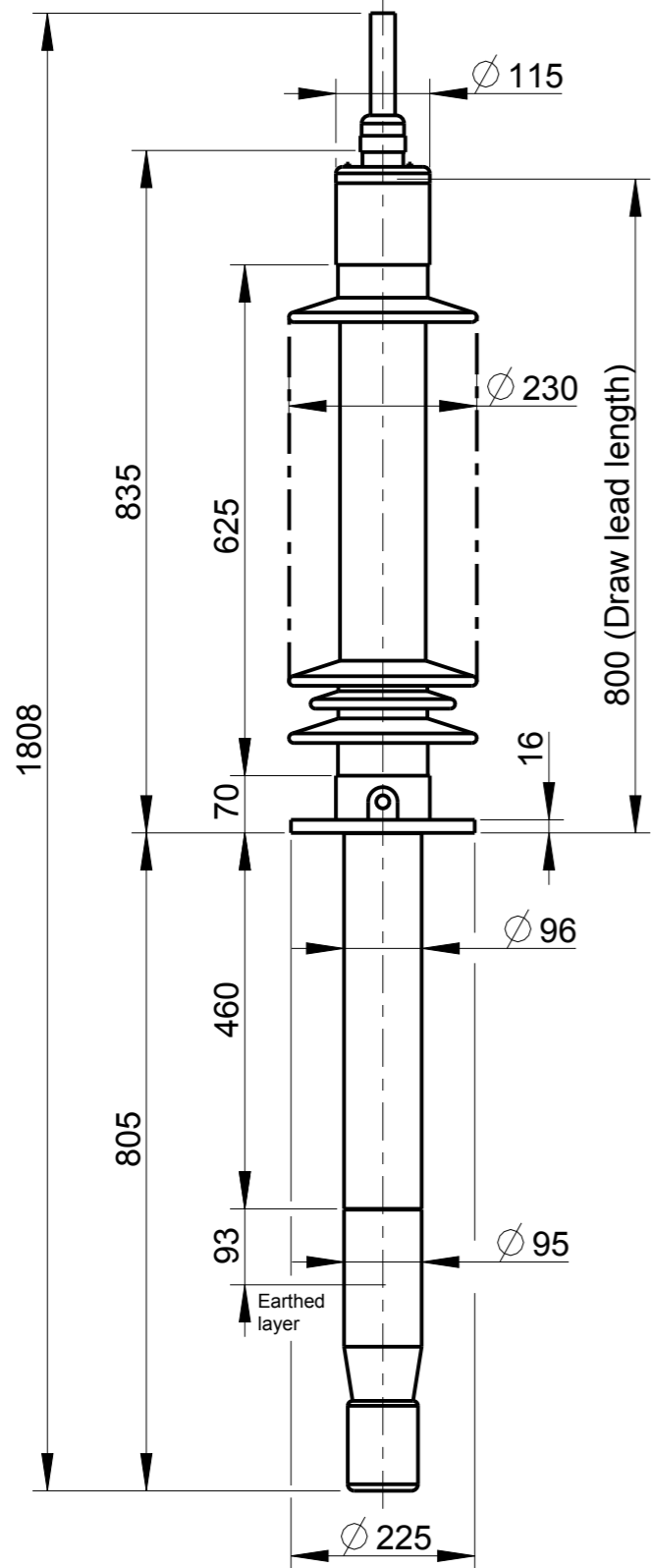
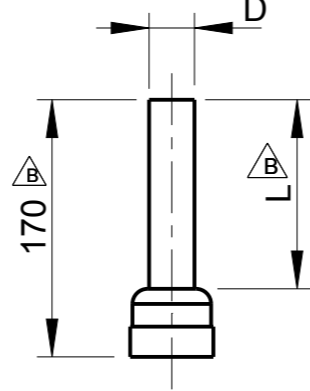


This document is issued by means of a computerized system. The digitally stored original is electronically approved. The approved document has a date entered in the 'Approved'-field. A manual signature is not required.

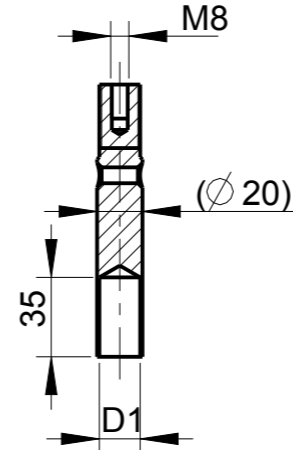
The information contained in this document has to be kept strictly confidential. Any unauthorized use, reproduction, distribution or disclosure to third parties are strictly forbidden. ABB reserves all rights regarding Intellectual Property Rights. © Copyright 2013 ABB. All rights reserved.



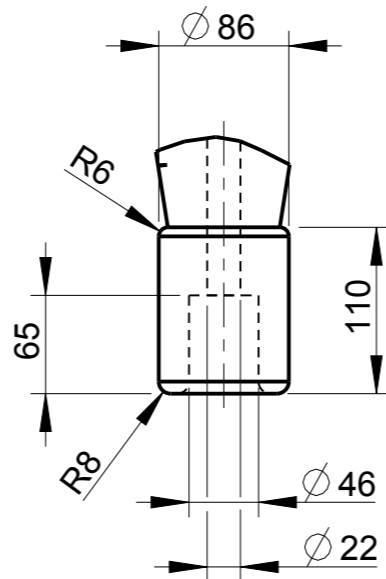
OUTER TERMINAL



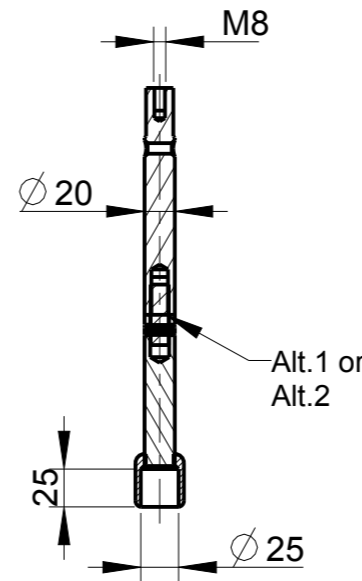
INNER TERMINAL FOR STRANDED CABLE



END SHIELD

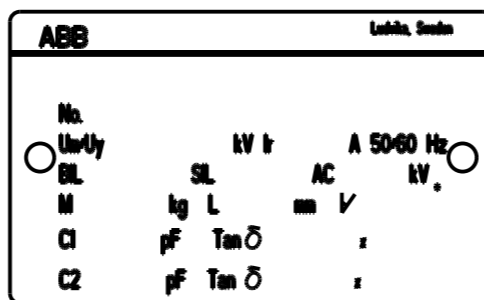


SOLID ROD CONNECTOR



The solid rod can be divided either:
Alt.1: 20mm below the bushing flange or
Alt.2: 20mm below the upper end of the bottom porcelain

Note:
Mounting inclination 0-45°.
△ For inclined and horizontal mounting, see Installation and Maintenance Guide.



Bushing Data:

Rated Voltage	72.5	kV
Phase to Ground Voltage	72.5	kV
Dry Lightning Impulse 1,2/50µs	350	kV
Wet power frequency AC	140	kV
Routine test 1min dry 50Hz	160	kV
Rated Current	800	A
Creepage Distance	△ 2240±50	mm
Creepage Distance Protected	775	mm
Mass	35	kg

Ordering Data:

BUSHING	LF123089-M	COLOUR AIR INSULATOR	BROWN
	-N		LIGHT GREY
OUTER TERMINAL	LF 170 002-A	Material	Cu Alloy
	LF 170 001-A		Al
OTHER TYPES ON REQUEST			
INNER TERMINAL FOR STRANDED CABLE		Conductor area	D1
For brazing	LF 170 011-S	up to 150mm²	∅ 18
	LF 170 011-U	Undrilled with pilot hole	∅ 5
For crimping or brazing		Conductor area	D1
	LF 170 010-M	50mm²	∅ 11
	LF 170 010-N	70mm²	∅ 13
	LF 170 010-L	95mm²	∅ 15
SOLID ROD CONNECTOR		Material	
	LF 170 019 -L for Alt.1		Cu
	LF 170 019 -H for Alt.2		Cu
TERMINAL PLATE		Material	
	LF 170 014-A		Aluminium
	LF 170 021-A		Nickel-Plated Copper

Prepared	iladmin	2008-04-30	Responsible department	PPCO/BK	Title	GOB 325-800-0.5	
Modified by	Palpandi K	2013-04-26	Take over department				
Approved by	Niklas Olsson	2013-05-07	Used in product		WITHOUT OIL LEVEL GAUGE LONG END SHIELD		
Revision	B	Note added, Creep dist was 1980 & out terminal dim changed			Order	1	
ABB					Document no.	2751369-126	
						Sheet no.	1
						No. Shts.	(1)