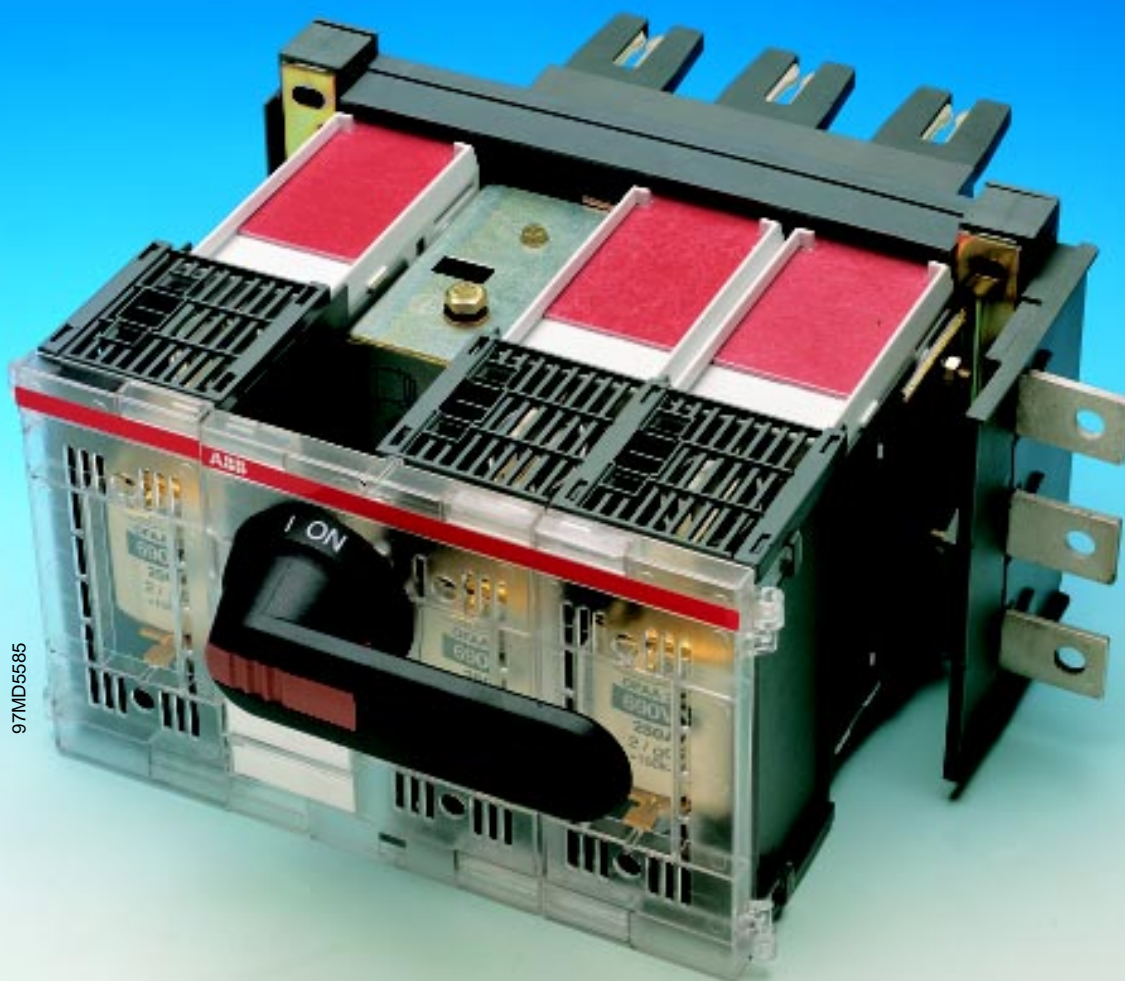


PowerLine, Plug-in, Back and Side Termination Switch Fuses 20...800 A

Brochure OESA 2 A GB 99-03



97MD5585

ABB Control



PowerLine Switch Fuses OESA

The switch fuse combines a fused short circuit protection with load break switching on both sides of the fuse link. The fuse links are stationary, ensuring a long electrical and mechanical life for both AC and DC- networks in a minimum panel

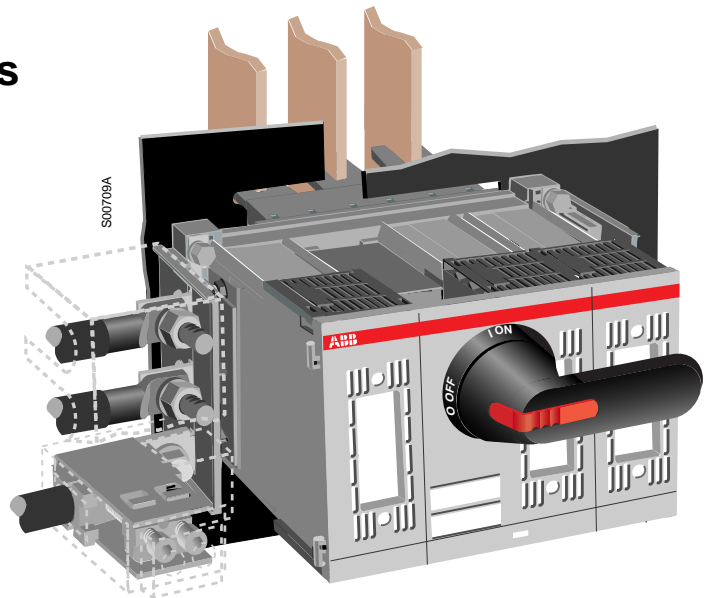
space. The selectivity is easily achieved with subsequent fuses. The standard fuses withstand 100 kA, which means less variations and problems in selection of the components.

Superior short circuit protection with the fuses – Complete range of switch fuses from 20 A to 800 A, 690 V

- PowerLine, OESA Mini, 20...32 A
- OESA, 32...160 A
- PowerLine, OESA_PL, 200...800 A

Switch fuses are available for all types of fuse links, DIN, BS, NFC, UL, CSA. The fuse is a superior short circuit protecting element regarding the max. allowed cut-off current (peak let through current) and energy value.

This is more important the higher the voltage and prospective fault levels are. The PowerLine switch fuses fulfil the highest requirements for modern switch fuses with a total safety concept. The switch fuses are tested according to the new IEC 947-3 standard with more stringent requirements for isolation, breaking, making, performance and safety.



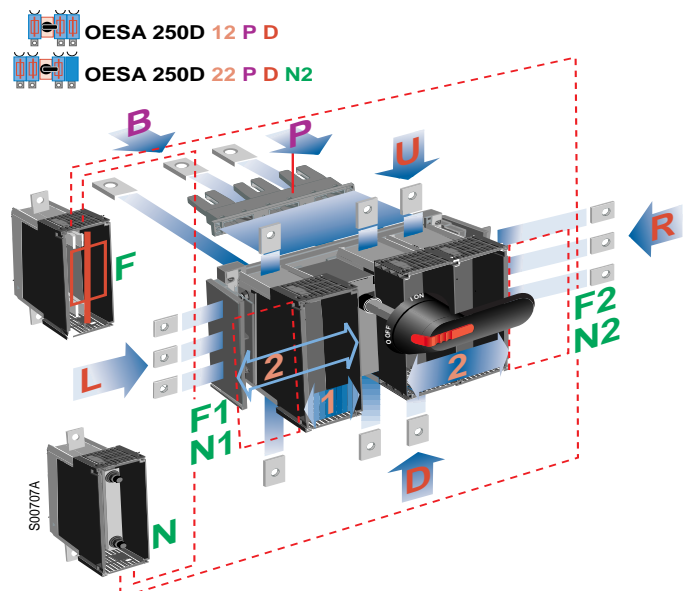
Plug-in terminals reduces installation costs and down time due to fast component replacement.

Space and cost saving through versatile switch fuses

New Plug-in, Back and Side termination connections offer freedom to choose the connection direction of the switch fuse.

Available construction alternatives are:

- Plug-in termination unit (P)
- Back termination (B)
- Left / Right / Up / Down termination (L/R/U/D)
- Operating mechanism Left / Middle / Right
- A fourth pole can be either Switched or Fusible Switched and a location either on left (N1/F1) or right side (N2/F2)

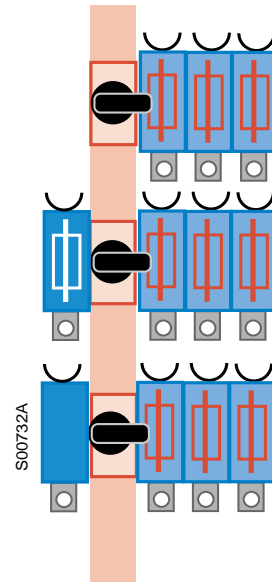


Handle alignment

In Plug-in types, a handle alignment can be achieved throughout the range from 32 A (-G and D types) up to 400 A. The placing possibilities of the operating mechanism increase ease of installation and adaptability to different switchgear. A neutral can be placed either on left or right side of the switch fuse.

Increased safety and optimum flexibility for panel mounting

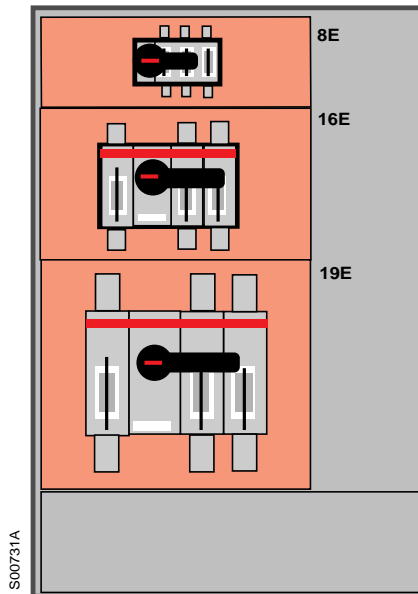
Plug-in types give an extremely quick and safe change of switch fuse. Protected terminals against contact are on supply side IP20/IP30. Standard types are available for 60 mm busbar distance and types for 50 mm busbar distance on request.



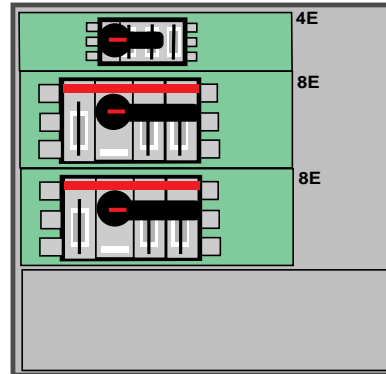
Position of the handle can be achieved in the same line.

Space comparison

Present Switch Fuses



Side-to-Side type Switch Fuses

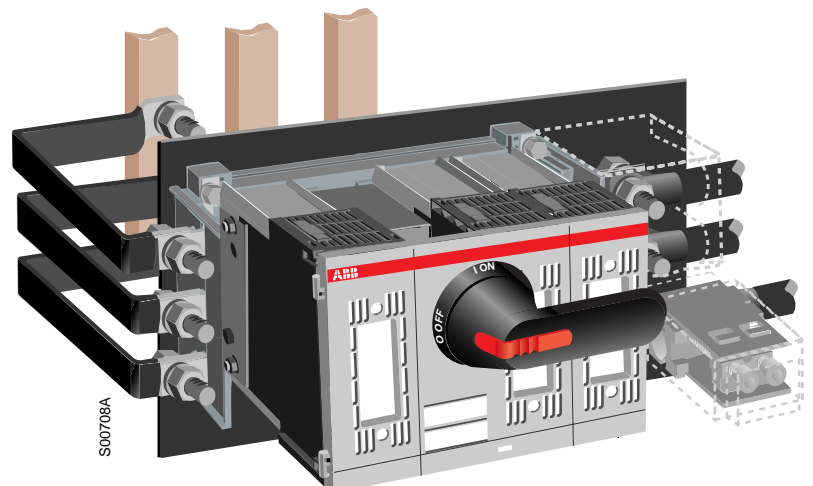


1E = 25mm

Side-to-side termination gives space saving for the motor starter and decreases the size of the switchgear.

Comply with standards

IEC 947-1 / 3
 VDE 0660, VDE 0113
 BS 5419
 UL 508, UL 98
 CSA C22.2 No 4, 14
 SS 4280605
 KY 119-95 / SETI
 Other valid standards: IEC 664, IEC 204

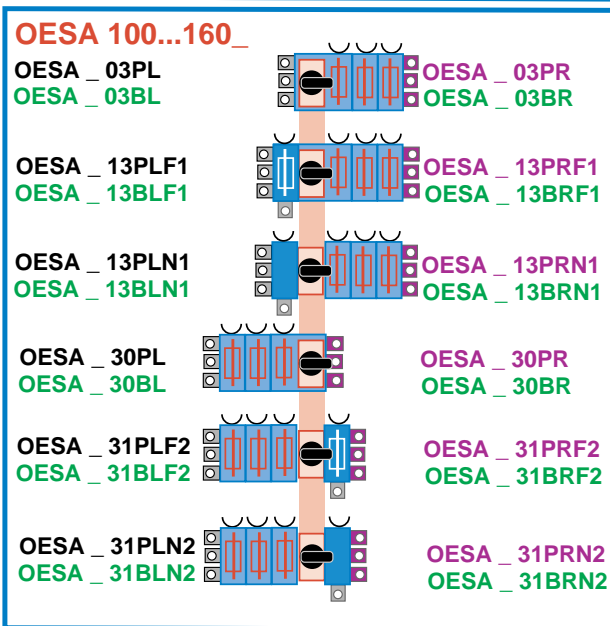
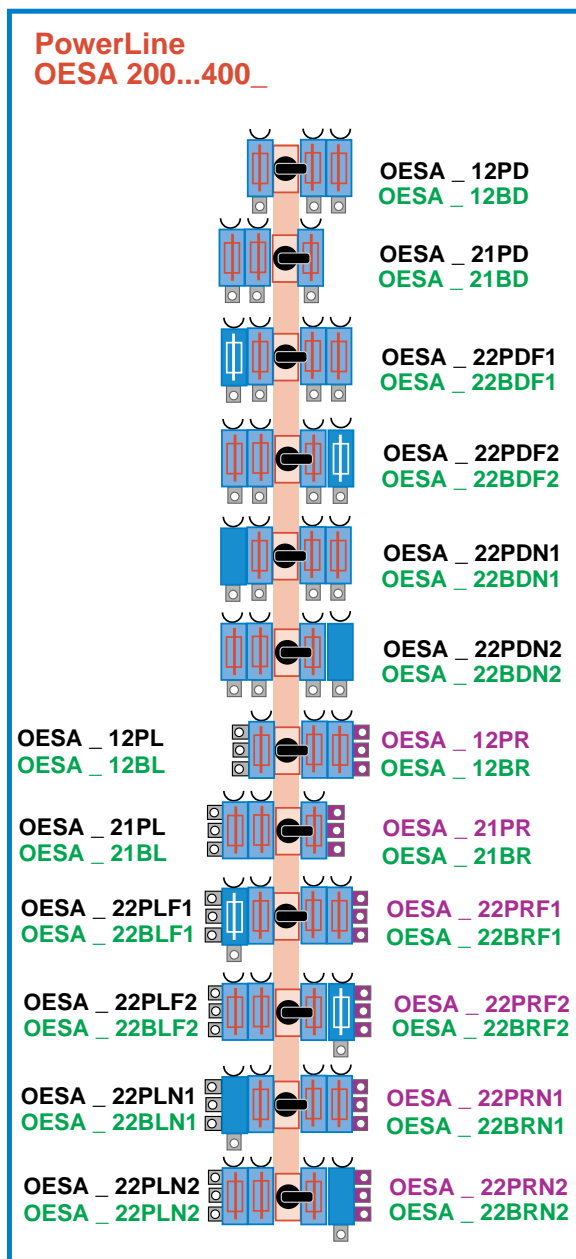
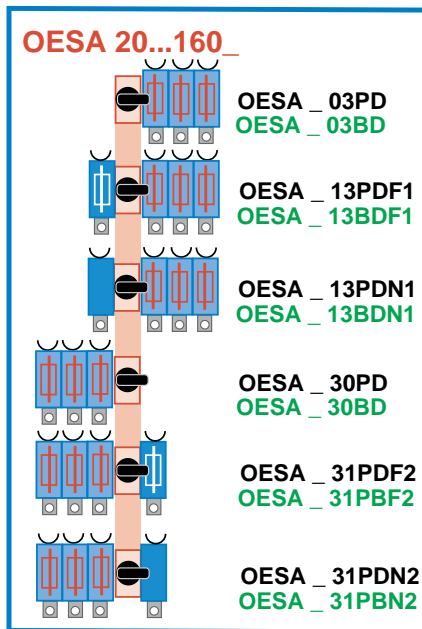
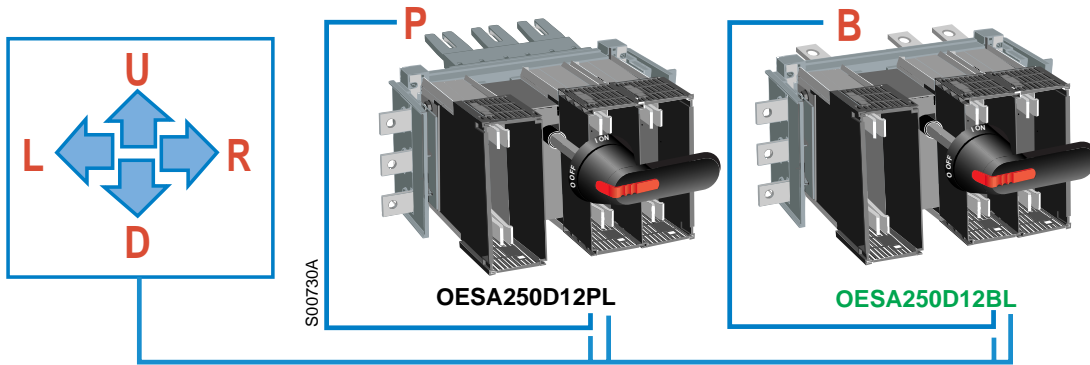


Space saving and versatility in installation with Side In - Side Out connection terminals.

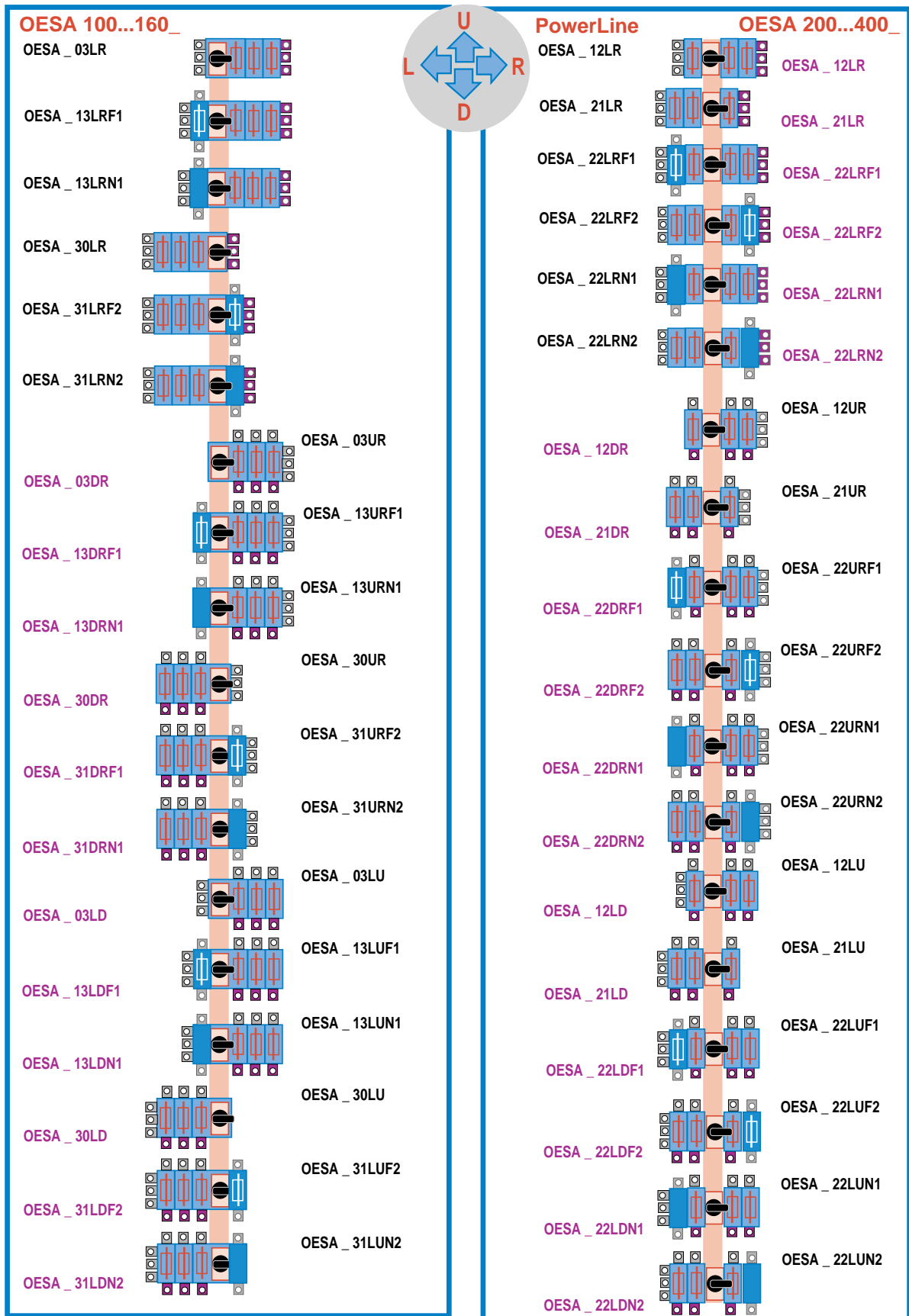
PowerLine

Type Designation

Switch Fuses, Examples



PowerLine Type Designation Switch Fuses, Examples





PowerLine Switch Fuses

Contents:

Ordering Information	7 - 11
Switch-fuses	
• Plug-in termination	
OESA Mini	7
OESA 32...200, DIN / BS-pattern	7 - 8
OESA 250...400, DIN / BS-pattern	8
• Back termination	
OESA 32...160, DIN / BS-pattern	9
OESA 250...800, DIN / BS-pattern	10
• Side-to-Side termination	
OESA 100...200, DIN / BS-pattern	11
OESA 250...400, DIN / BS-pattern	11
Dimension Drawings	
• Plug-in termination types	12 - 16
• Side-to-Side termination types	14 - 18
• Back termination types	16 - 19

Technical data and accessories, see brochure OESA 1 A GB.

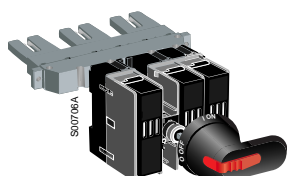
REMARK

Some accessories are not suitable for all these switches.
Please contact your closest supplier.

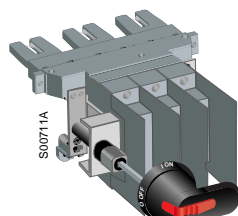
PowerLine

Ordering Information

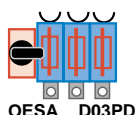
Switch Fuses



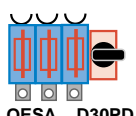
OESA Mini



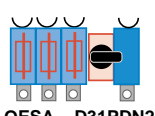
OESA 32...160



OESA_D03PD



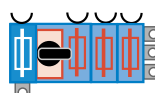
OESA_D30PD



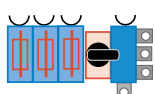
OESA_D31PDN2



OESA_D30PR



OESA_D13PRF1



OESA_D31PRN2

Plug-in type Switch Fuses

Plug-in termination / OESA Mini, 3 and 4-pole, IP20

The handle kit and shaft has to be ordered separately.

Type	Number of poles	Rated operational current AC23A/ AC22A/ [A]			Fuse type and size [kg]	Weight with package	Ordering number
		400 V	690 V	400V			
OESA 20 P3A1 PD	3	20	20	20	A1	1.2	1SCA022394R6220
OESA 20 P4A1 PD N1	4 switched neutral				20 A	1.6	1SCA022435R8090
OESA 32 P3A1 PD	3	32	32	32	A1	1.2	1SCA022394R6060
OESA 32 P4A1 PD N1	4 switched neutral				32 A	1.6	1SCA022394R6490
OESA 32 P3A2 PD	3	32	32	32	A2	1.2	1SCA022435R8330
OESA 32 P4A2 PD N1	4 switched neutral				32 A	1.6	1SCA022435R8410
OESA 25 P310 PD	3	25	25	25	10 x 38	1.2	1SCA022436R2100
OESA 25 P410 PD N1	4 switched neutral				25 A	1.6	1SCA022436R2280
OESA 25 F410 PD F1	4 fused neutral					1.6	1SCA022457R8530
OESA 32 P314 PD	3	32	32	32	14 x 51	1.2	1SCA022436R2440
OESA 32 P414 PD N1	4 switched neutral				32 A	1.6	1SCA022436R2520
OESA 32 F414 PD F1	4 fused neutral					1.6	1SCA022457R0550

Plug-in termination OESA 32...160, DIN-pattern

32A and 63A switches have protected tunnel terminals, black IP 65 OHB65J6 handle with I-O/ON-OFF indication and shaft OESAZS 13, length 150 mm.

125A and 160A switches include terminal bolt kit, black IP 65 OHB80J6 handle with I-O/ON-OFF indication and shaft OESAZS 13, length 150 mm .

Type	Number of poles	Rated operational current AC23A/ AC22A/[A]			Weight with package [kg]	Ordering number
		400 V	690 V	400 V		
OESA 32 D03 PD	3	32	-	32	1.6	1SCA022457R0630
OESA 32 D30 PD	3				1.6	1SCA022430R8580
OESA 32 D31 PD N2	4 switched neutral				2.1	1SCA022457R0710
OESA 63 D03 PD	3	63	40	63	1.6	1SCA022457R0800
OESA 63 D30 PD	3				1.6	1SCA022396R6760
OESA 63 D31 PD N2	4 switched neutral				2.1	1SCA022396R6920
OESA 100 D03 PD	3	100	50	125	2.3	1SCA022422R2510
OESA 100 D30 PD	3				2.3	1SCA022457R0980
OESA 100 D30 PR ¹⁾	3				2.6	1SCA022397R5410
OESA 100 D31 PD N2	4 switched neutral				3.1	1SCA022457R1010
OESA 100 D13 PR F ¹⁾	4 fused neutral				3.5	1SCA022457R1100
OESA 160 D03 PD	3	100	50	160	2.3	1SCA022430R7420
OESA 160 D30 PD	3				2.3	1SCA022457R1280
OESA 160 D30 PR ¹⁾	3				2.6	1SCA022422R1620
OESA 160 D31 PD N2	4 switched neutral				3.1	1SCA022457R1360
OESA 160 D31 PR N2 ¹⁾	4 switched neutral				3.5	1SCA022457R1440

¹⁾ PR-types (right out) can be replaced by PL-types (left out)

Alternative connections not mentioned in the tables above are available on request. Dimension drawings on pages 12-16.

PowerLine

Ordering Information

Switch Fuses

Plug-in termination OESA 32...200, BS-pattern

32A and 63A switches have protected tunnel terminals, black IP 65 OHB65J6 handle with I-O/ON-OFF indication and shaft OESAZS 25, length 210 mm.
125A and 160A switches include terminal bolt kit, black IP 65 OHB80J6 handle with I-O/ON-OFF indication and shaft OESAZS 25, length 210 mm.

Type	Number of poles	Rated operational current AC23A / AC22A/[A]			Weight with package [kg]	Ordering number
		400V	690V	400V		
OESA 32 G03 PD	3	32	-	32	1.6	1SCA022436R6350
OESA 32 G30 PD	3				1.6	1SCA022428R0710
OESA 32 G31 PD N2	4 switched neutral				2.1	1SCA022427R7840
OESA 63 G03 PD	3	63	40	63	1.6	1SCA022432R7110
OESA 63 G30 PD	3				1.6	1SCA022394R7540
OESA 63 G31 PD N2	4 switched neutral				2.1	1SCA022394R7620
OESA 100 G03 PD	3	100	50	125	2.3	1SCA022432R7290
OESA 100 G30 PD	3				2.3	1SCA022432R1840
OESA 100 G30 PR ¹⁾	3				2.6	1SCA022457R1520
OESA 100 G31 PD N2	4 switched neutral				3.1	1SCA022457R1610
OESA 100 G13 PR N2 ¹⁾	4 switched neutral				3.5	1SCA022457R1790
OESA 160 G03 PD	3	100	50	160	2.3	1SCA022457R1870
OESA 160 G30 PD	3				2.3	1SCA022457R1950
OESA 160 G30 PR ¹⁾	3				2.6	1SCA022397R5590
OESA 200 G03 PD	3	100	50	200	2.3	1SCA022457R8110
OESA 200 G30 PR ¹⁾	3				2.3	1SCA022457R8290
OESA 200 G31 PD N2	4 switched neutral				3.1	1SCA022457R8370
OESA 200 G13 PR N2 ¹⁾	4 switched neutral				3.1	1SCA022457R8450

Plug-in termination OESA 250...400, DIN-pattern

250A and 400A switches include terminal bolt kit, black IP 65 OHB125J12 handle with I-O/ON-OFF indication and shaft OESAZK 41, length 250 mm.

Type	Number of poles	Rated operational current AC23A/AC22A/[A]			Weight with package [kg]	Ordering number
		400V	690V	400 V		
OESA 250 D12 PD	3	250	250	250	8.0	1SCA022428R0980
OESA 250 D21 PD	3				8.0	1SCA022394R7890
OESA 250 D21 PR ¹⁾	3				8.2	1SCA022397R0010
OESA 250 D22 PD N2	4 switched neutral				10.7	1SCA022394R7970
OESA 250 D22 PR N2 ¹⁾	4 switched neutral				10.9	1SCA022427R8570
OESA 400 D12 PD	3	400	400	400	9.0	1SCA022395R4750
OESA 400 D21 PD	3				9.0	1SCA022438R0510
OESA 400 D21 PR ¹⁾	3				9.2	1SCA022397R2900
OESA 400 D22 PD N2	4 switched neutral				11.0	1SCA022395R4830
OESA 400 D22 PR N2 ¹⁾	4 switched neutral				12.3	1SCA022427R8730

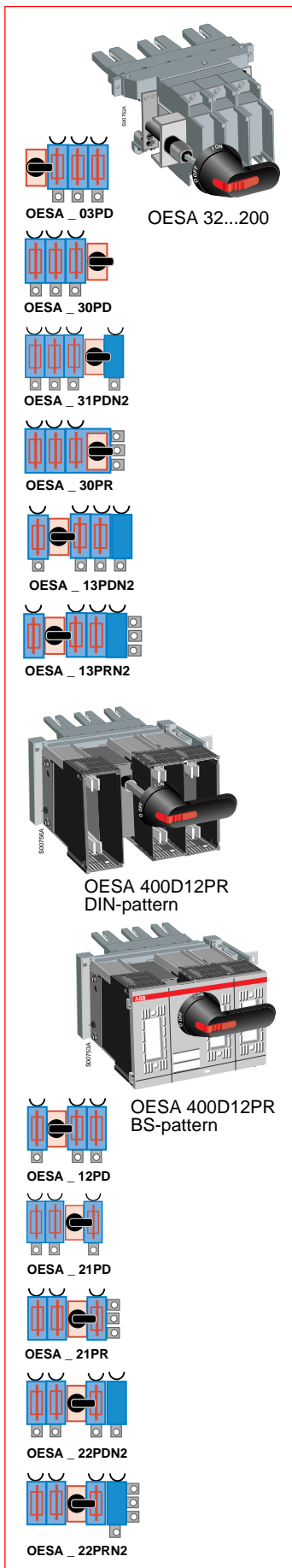
Plug-in termination OESA 250...400, BS-pattern

250...400 switches include terminal bolt kit, IP-20 -fuse cover, black IP 65 OHB125J12 handle with I-O/ON-OFF indication and shaft OESAZK 41, length 250 mm.

Type	Number of poles	Rated operational current AC23A/AC22A/[A]			Weight with package [kg]	Ordering number
		400V	690V	400 V		
OESA 250 B12 PD	3	250	250	250	8.0	1SCA022457R2090
OESA 250 B12 PR ¹⁾	3				8.2	1SCA022457R2170
OESA 250 B22 PD N2	4 switched neutral				10.7	1SCA022457R2250
OESA 315 B12 PD	3	315	315	315	9.0	1SCA022395R4590
OESA 315 B21 PD	3				9.0	1SCA022396R8890
OESA 315 B21 PR ¹⁾	3				9.2	1SCA022397R2730
OESA 315 B22 PD N2	4 switched neutral				11.0	1SCA022395R4670
OESA 315 B22 PR N2 ¹⁾	4 switched neutral				12.3	1SCA022427R8650
OESA 400 B12 PD	3	400	400	400	9.0	1SCA022439R6340
OESA 400 B12 PR ¹⁾	3				9.2	1SCA022423R6900
OESA 400 B22 PD N2	4 switched neutral				11.0	1SCA022457R2330
OESA 400 B22 PR N2 ¹⁾	4 switched neutral				12.3	1SCA022457R2410

¹⁾ PR-types (right out) can be replaced by PL-types (left out)

Alternative connections not mentioned in the tables above are available on request.
 Dimension drawings on pages 12-16.



PowerLine

Ordering Information

Switch Fuses

Back termination type Switch Fuses

In **32 and 63 switches** the normal terminals are protected tunnel terminals, the back connection terminals (cable size 6...35 mm²) include bolt kit. Switches include black IP 65 OHB65J6 handle with I-O/ON-OFF indication and shaft OESAZS 13, length 150 mm.

100 and 160 switches include terminal bolt kit, black IP 65 OHB80J6 handle with I-O/ON-OFF indication and shaft OESAZS 13, length 150 mm.

Back termination OESA 32...160, DIN-pattern

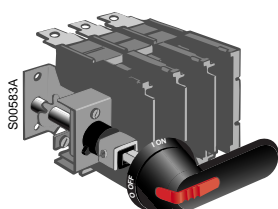
Type	Number of poles	Rated operational current AC23A/AC22A/[A]			Weight with package [kg]	Ordering number
		400V	690V	400 V		
OESA 32 D03 BD	3	32	-	32	1.6	1SCA022457R2500
OESA 32 D13 BD F1	4 fused neutral				2.1	1SCA022457R2680
OESA 63 D03 BD	3	63	40	63	1.6	1SCA022457R2760
OESA 63 D13 BD F1	4 fused neutral				2.1	1SCA022457R2840
OESA 100 D30 BD	3	100	50	125	2.2	1SCA022457R3060
OESA 100 D03 BR ¹⁾	3				2.4	1SCA022457R2920
OESA 100 D31 BR N2 ¹⁾	4 switched neutral				2.9	1SCA022457R3140
OESA 160 D30 BD	3	100	50	160	2.2	1SCA022457R3220
OESA 160 D03 BR ¹⁾	3				2.4	1SCA022457R8890
OESA 160 D31 BR N2 ¹⁾	4 switched neutral				2.9	1SCA022457R3310

Back termination OESA 32...160, BS-pattern

Type	Number of poles	Rated operational current AC23A/AC22A/[A]			Weight with package [kg]	Ordering number
		400V	690V	400 V		
OESA 32 G03 BD	3	32	-	32	1.6	1SCA022457R3490
OESA 32 G13 BD N1	4 switched neutral				1.9	1SCA022457R3570
OESA 63 G03 BD	3	63	40	63	1.6	1SCA022457R3650
OESA 63 G13 BD N1	4 switched neutral				1.9	1SCA022457R3730
OESA 100 G30 BD	3	100	50	125	2.2	1SCA022457R3810
OESA 100 G03 BR ¹⁾	3				2.4	1SCA022457R3900
OESA 100 G31 BR N2 ¹⁾	4 switched neutral				3.0	1SCA022457R4030
OESA 160 G30 BD	3	100	50	160	2.2	1SCA022457R4110
OESA 160 G03 BR ¹⁾	3				2.4	1SCA022457R4200

¹⁾ BR-types (right out) can be replaced by BL-types (left out)

Alternative connections not mentioned in the tables above are available on request.
Dimension drawings on page 16-19.



OESA 32...160



OESA_03BD



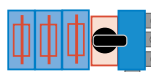
OESA_13BDF1



OESA_30BD



OESA_03BR



OESA_31BRN2

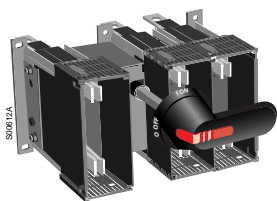


OESA_13BDN1

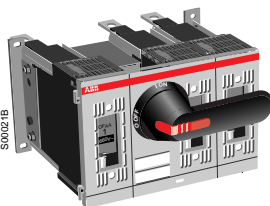
PowerLine

Ordering Information

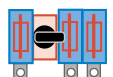
Switch Fuses



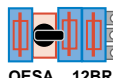
OESA 200...400
DIN-pattern



OESA 200...400
BS-pattern



OESA_12BD



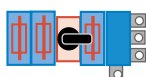
OESA_12BR



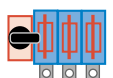
OESA_12BL



OESA_21BR



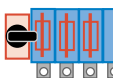
OESA_22BRN2



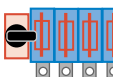
OESA_03BD



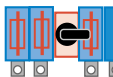
OESA_03BB



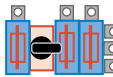
OESA_04BDN2



OESA_04BDF2



OESA_22BDN2



OESA_12UR

Back and up-right termination OESA 250...800, DIN-pattern

250 and 400 switches include terminal bolt kit, black IP 65 OHB125J12 handle with I-O/ON-OFF indication and shaft OESAZK 41, length 250 mm.

630 and 800 switches include terminal bolt kit, black IP 65 OHB145J12 handle with I-O/ON-OFF indication and shaft OESAZK 41, length 250 mm.

Type	Number of poles	Rated operational current AC23A/AC22A/[A]			Weight with package [kg]	Ordering number
		400V	690V	400 V		
OESA 250 D12 BD	3	250	250	250	7.3	1SCA022457R4380
OESA 250 D12 BR	3				7.5	1SCA022425R9010
OESA 250 D12 BL	3				7.5	1SCA022434R2090
OESA 250 D21 BR	3				7.5	1SCA022457R4460
OESA 250 D22 BR N2 ¹⁾	4 switched neutral				10.0	1SCA022428R0390
OESA 400 D12 BD	3	400	400	400	8.3	1SCA022457R4540
OESA 400 D12 BR	3				8.5	1SCA022425R9270
OESA 400 D12 BL	3				8.5	1SCA022434R2170
OESA 400 D21 BR ¹⁾	3				8.5	1SCA022457R4620
OESA 400 D22 BR N2 ¹⁾	4 switched neutral				11.3	1SCA022428R0550
OESA 630 D03 BD	3	630	630	630	16.0	1SCA022271R8900
OESA 630 D03 BB	3				16.0	1SCA022271R9110
OESA 630 D04 BD N2	4 switched neutral				21.0	1SCA022271R9540
OESA 630 D04 BD F2	4 fused neutral				21.0	1SCA022272R0120
OESA 630 D12 BD	3				16.0	1SCA022272R0710
OESA 630 D12 BR ²⁾	3					1SCA022365R9240
OESA 630 D22 BD N2	4 switched neutral				21.0	1SCA022272R1360
OESA 630 D12 UR	3				16.0	1SCA022439R2860
OESA 800 D03 BD	3	800	720	800	18.0	1SCA022272R3140
OESA 800 D03 BB	3				18.0	1SCA022272R3310
OESA 800 D04 BD N2	4 switched neutral				24.0	1SCA022272R3730
OESA 800 D12 BD	3				18.0	1SCA022279R7510
OESA 800 D12 BR ²⁾	3					1SCA022424R5480
OESA 800 D22 BD N2	4 switched neutral				24.0	1SCA022279R8070
OESA 800 D12 UR	3				18.00	1SCA022439R2940

Back termination OESA 250...800, BS-pattern

250...400 switches include terminal bolt kit, IP 20 -fuse cover, black IP 65 OHB125J12 handle with I-O/ON-OFF indication and shaft OESAZK 41, length 250 mm.

630 and 800 switches include terminal bolt kit, IP 20 -fuse cover, black IP 65 OHB145J12 handle with I-O/ON-OFF indication and shaft OESAZK 41, length 250 mm.

Type	Number of poles	Rated operational current AC23A/AC22A/[A]			Weight with package [kg]	Ordering number
		400V	690V	400 V		
OESA 250 B12 BD	3	250	250	250	7.3	1SCA022457R4710
OESA 250 B12 BR ¹⁾	3				7.5	1SCA022457R4890
OESA 250 B22 BR N2 ¹⁾	4 switched neutral				10.0	1SCA022457R4970
OESA 315 B12 BD	3	315	315	315	8.3	1SCA022457R5010
OESA 315 B21 BR ¹⁾	3				8.5	1SCA022457R5190
OESA 315 B22 BR N2 ¹⁾	4 switched neutral				11.3	1SCA022428R0470
OESA 400 B12 BD	3	400	400	400	8.3	1SCA022457R5270
OESA 400 B12 BR ¹⁾	3				8.5	1SCA022457R5350
OESA 400 B22 BR N2 ¹⁾	4 switched neutral				11.3	1SCA022457R5430
OESA 630 B03 BD	3	630	630	730	16.0	1SCA022291R3600
OESA 630 B03 BB	3				16.0	1SCA022301R0710
OESA 630 B04 BD N2	4 switched neutral				21.0	1SCA022301R1100
OESA 630 B12 BD	3				16.0	1SCA022301R2090
OESA 630 B22 BD N2	4 switched neutral				21.0	1SCA022301R2680
OESA 800 B03 BD	3	800	720	800	18.0	1SCA022301R4460
OESA 800 B03 BB	3				18.0	1SCA022291R4080
OESA 800 B04 BD N2	4 switched neutral				24.0	1SCA022301R5010
OESA 800 B12 BD	3				18.0	1SCA022301R5600
OESA 800 B22 BD N2	4 switched neutral				24.0	1SCA022301R6240

¹⁾ BR-types (right out) can be replaced by BL-types (left out)

²⁾ Termination block can be turned 180° to achieve BL-type

Alternative connections not mentioned in the tables above are available on request.
Dimension drawings on page 16-19.

PowerLine

Ordering Information

Switch Fuses

Side-to-Side termination Switch Fuses

100 and 160 switches include terminal bolt kit, black IP 65 OHB80J6 handle with I-O/ON-OFF indication and shaft in DIN-types OESAZS 13, length 150 mm and in BS-types OESAZS 25, length 210 mm.

Side-to-Side termination OESA 100...160, DIN-pattern

Type	Number of poles	Rated operational current AC23A/AC22A/[A]			Weight with package [kg]	Ordering number
		400V	690V	400 V		
OESA 100 D03 LR	3	100	50	125	2.0	1SCA022423R4440
OESA 100 D30 LR	3				2.0	1SCA022397R3030
OESA 100 D13 LR F1	4 fused neutral	100	50	125	2.7	1SCA022457R5510
OESA 100 D31 LR N2	4 switched neutral				2.7	1SCA022457R5600
OESA 160 D03 LR	3	100	100	160	2.0	1SCA022424R1140
OESA 160 D30 LR	3				2.0	1SCA022423R5090
OESA 160 D13 LR F1	4 fused neutral	100	100	160	2.7	1SCA022457R5780
OESA 160 D31 LR N2	4 switched neutral				2.7	1SCA022457R5860

Side-to-Side termination OESA 100...200, BS-pattern

Type	Number of poles	Rated operational current AC23A/AC22A/[A]			Weight with package [kg]	Ordering number
		400V	690V	400 V		
OESA 100 G03 LR	3	100	50	125	2.0	1SCA022423R3550
OESA 100 G30 LR	3				2.0	1SCA022457R5940
OESA 100 G13 LR N1	4 switched neutral	100	50	125	2.7	1SCA022457R6080
OESA 100 G31 LR N2	4 switched neutral				2.7	1SCA022457R6160
OESA 160 G03 LR	3	100	50	160	2.0	1SCA022457R6240
OESA 160 G30 LR	3				2.0	1SCA022397R4860
OESA 200 G03 LR	3	100	50	200	2.0	1SCA022429R9900
OESA 200 G13 LR N1	4 switched neutral				2.7	1SCA022457R6320

Side-to-Side termination OESA 250...400, DIN-pattern

250 and 400 switches include terminal bolt kit, black IP 65 OHB125J12 handle with I-O/ON-OFF indication and shaft OESAZK 41, length 250 mm.

Type	Number of poles	Rated operational current AC23A/AC22A/[A]			Weight with package [kg]	Ordering number
		400V	690V	400V		
OESA 250 D12 LR	3	250	250	250	8.4	1SCA022424R1220
OESA 250 D21 LR	3				8.4	1SCA022422R1540
OESA 250 D22 LR N2	4 switched neutral				11.2	1SCA022427R9460
OESA 400 D12 LR	3	400	400	400	9.9	1SCA022423R4360
OESA 400 D21 LR	3				9.9	1SCA022397R7530
OESA 400 D22 LR N2	4 switched neutral				13.2	1SCA022427R9620

Side-to-Side termination OESA 200...400, BS-pattern

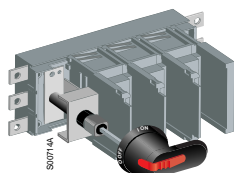
200...400 switches include terminal bolt kit, IP-20 -fuse cover, black IP 65 OHB125J12 handle with I-O/ON-OFF indication and shaft OESAZK 41, length 250 mm.

Type	Number of poles	Rated operational current AC23A/AC22A/[A]			Weight with package [kg]	Ordering number
		400V	690V	400 V		
OESA 200 B12 LR	3	200	200	200	8.4	1SCA022425R9350
OESA 200 B21 LR	3				8.4	1SCA022397R7700
OESA 200 B22 LR N2	4 switched neutral				11.2	1SCA022427R9200
OESA 250 B12 LR	3	250	250	250	8.4	1SCA022457R6410
OESA 250 B22 LR N2	4 switched neutral				11.2	1SCA022457R6590
OESA 315 B12 LR	3	315	315	315	9.9	1SCA022423R4610
OESA 315 B21 LR	3				9.9	1SCA022423R4870
OESA 315 B22 LR N2	4 switched neutral				13.2	1SCA022427R9540
OESA 400 B12 LR	3	400	400	400	9.9	1SCA022423R6810
OESA 400 B22 LR N2	4 switched neutral				13.2	1SCA022457R6670

Alternative connections not mentioned in the tables above are available on request.

More technical information and accessories, see brochure OESA 1 A GB.

Dimension drawings on pages 14-18.



OESA 100...160



OESA_03LR



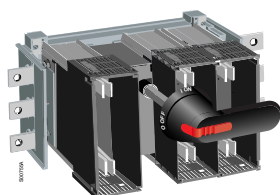
OESA_30LR



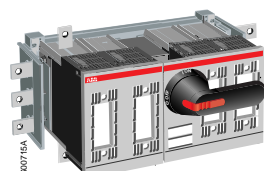
OESA_13LRF1



OESA_31LRN2



DIN-pattern



BS-pattern



OESA_12LR



OESA_21LR



OESA_22LRN2

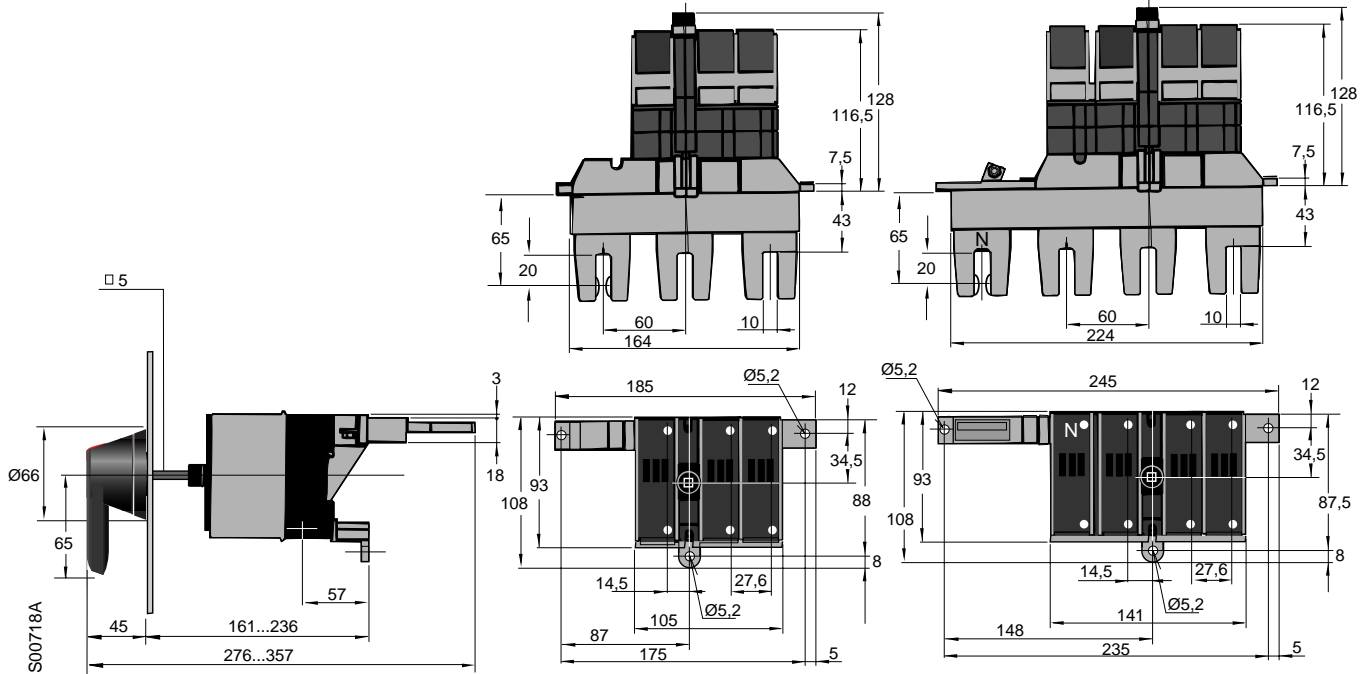
PowerLine

Dimension Drawings

OESA Mini, Plug-in type

OESA Mini 3-pole

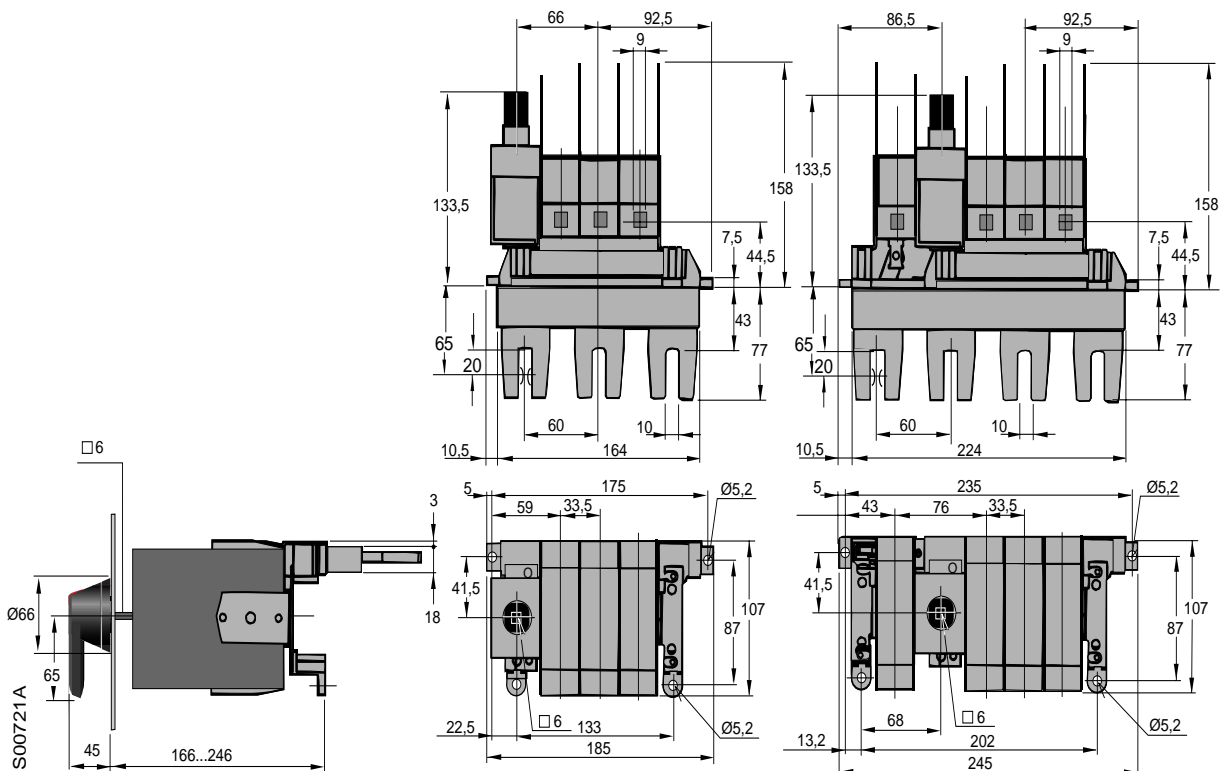
OESA Mini 4-pole



OESA 32...63, Plug-in type, DIN-pattern

OESA 32...63D03PD

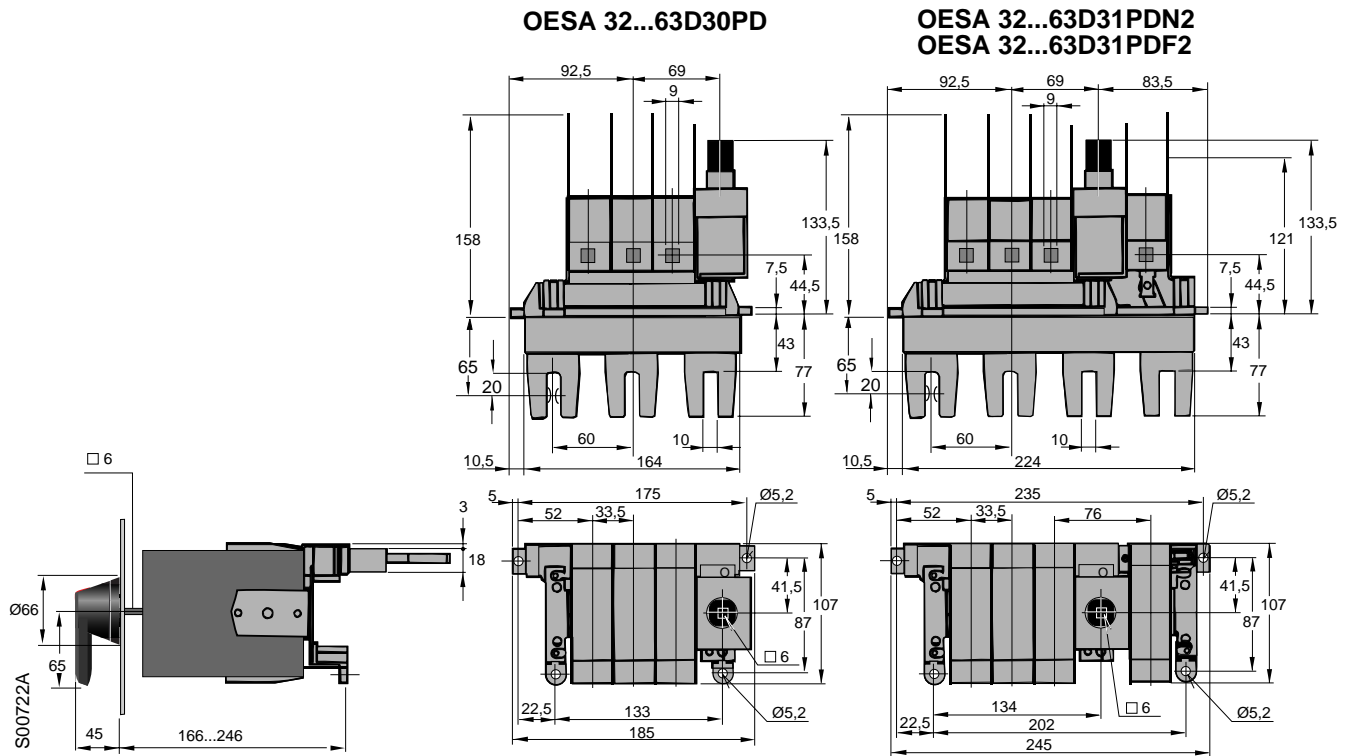
OESA 32...63D13PDN1
OESA 32...63D13PDF1



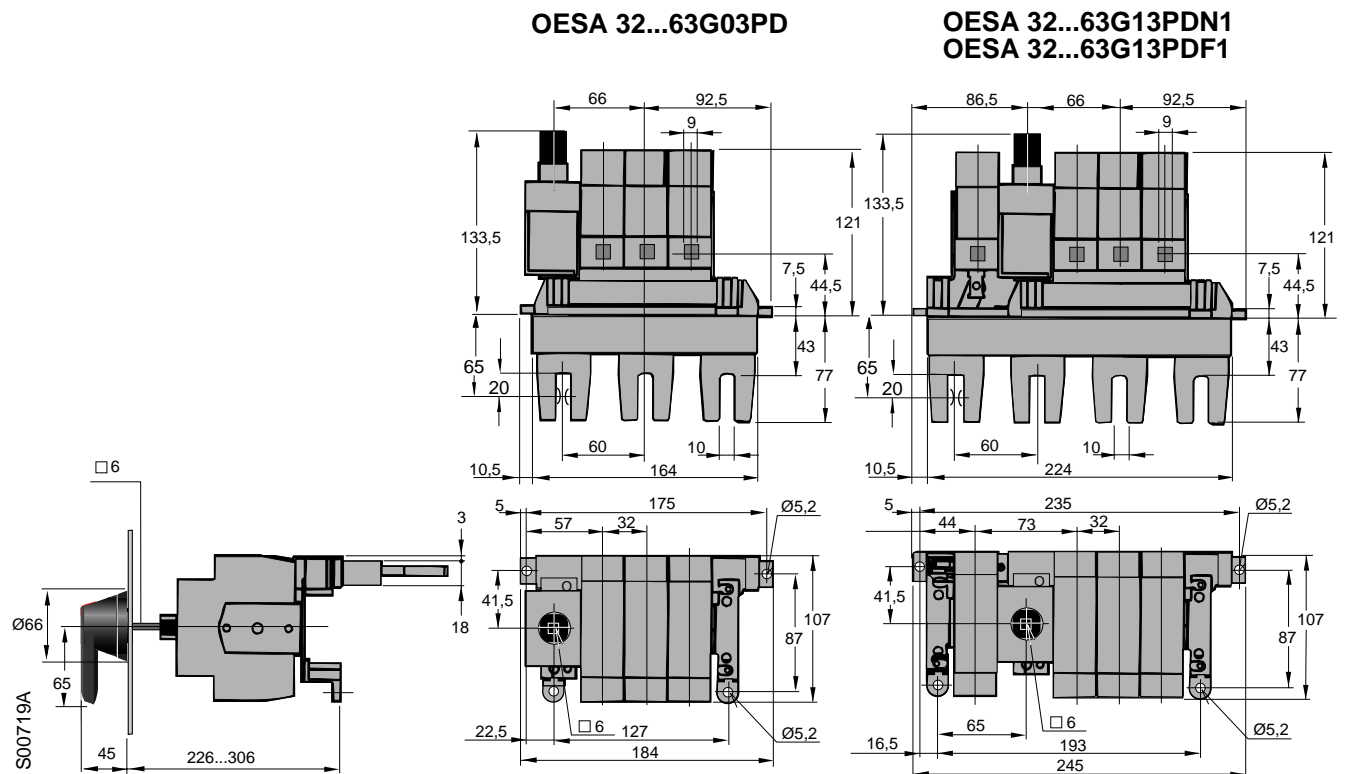
PowerLine

Dimension Drawings

OESA 32...63, Plug-in type, DIN-pattern



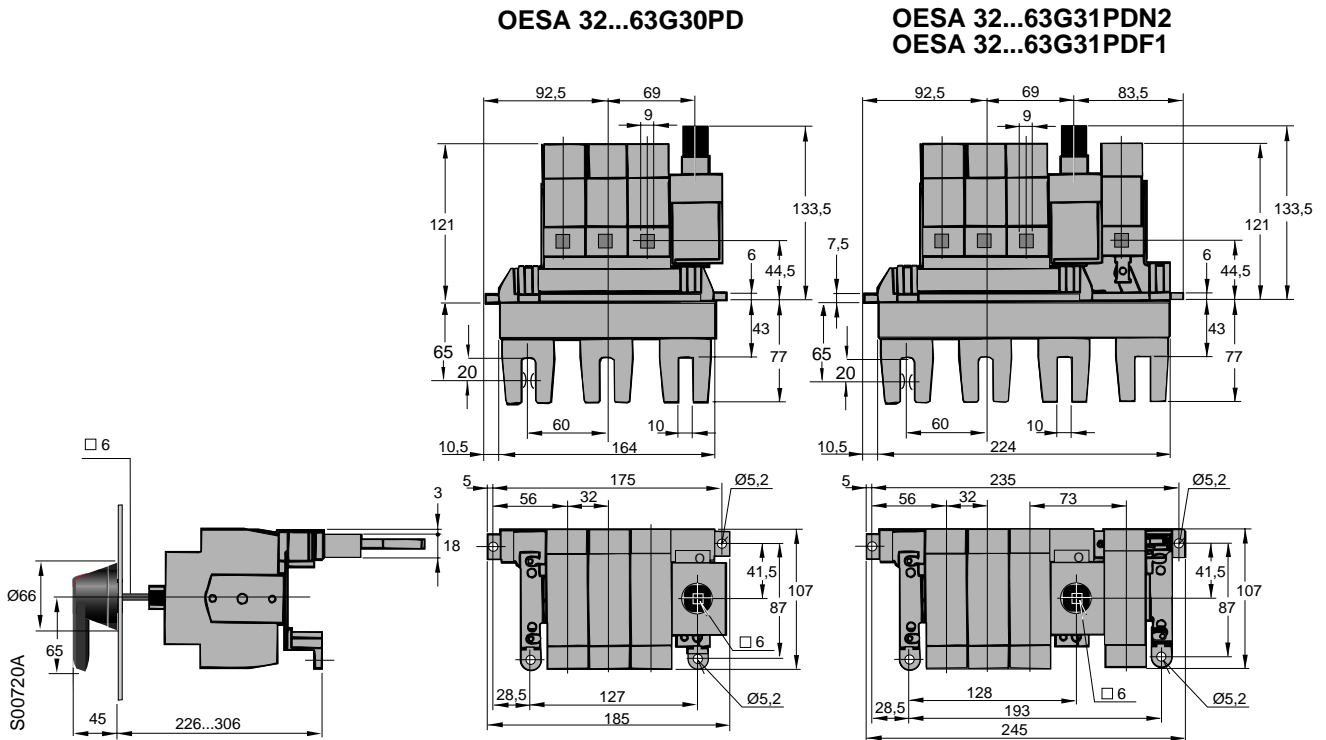
OESA 32...63, Plug-in type, BS-pattern



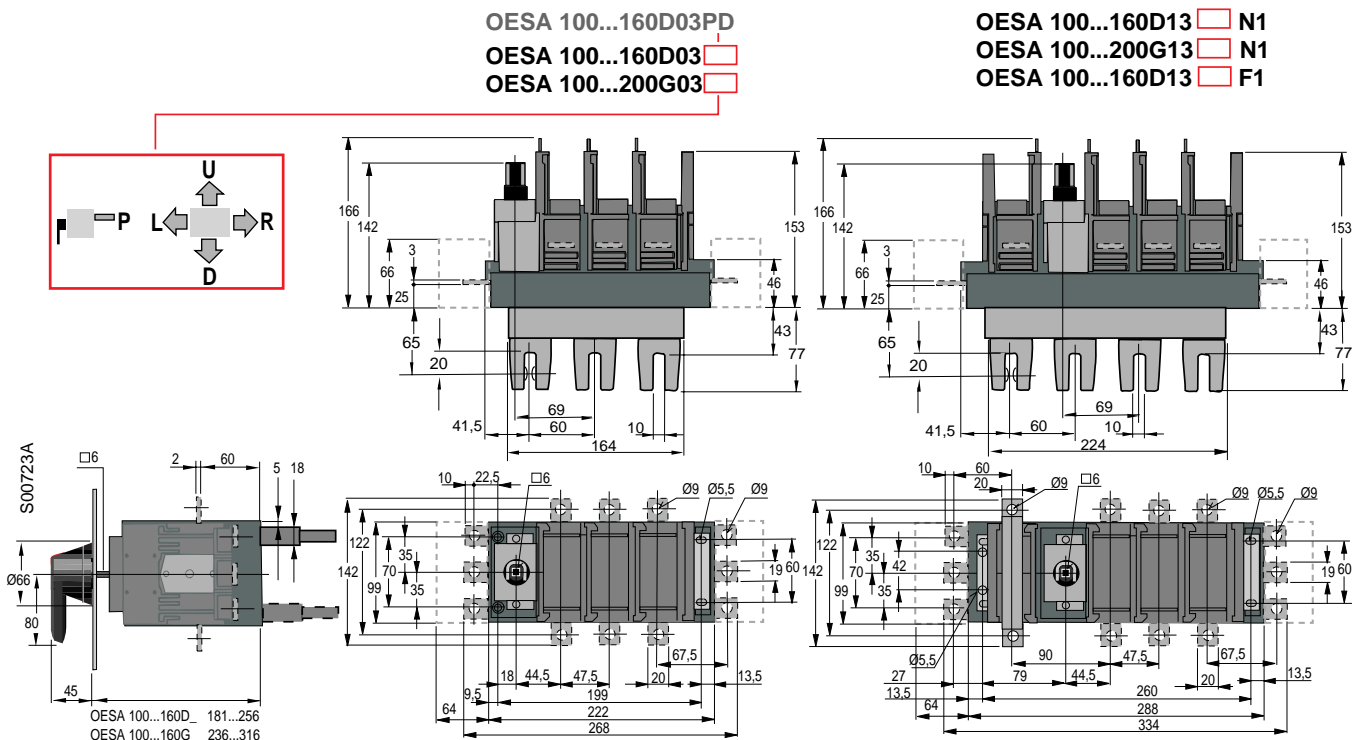
PowerLine

Dimension Drawings

OESA 32...63, Plug-in type, BS-pattern



OESA 100...160, Plug-in type and Side-to-Side type, DIN- and BS-pattern



PowerLine

Dimension Drawings

OESA 200...400,
Side-to-Side type and Back-termination type,
DIN- and BS-pattern

OESA 250D21LR

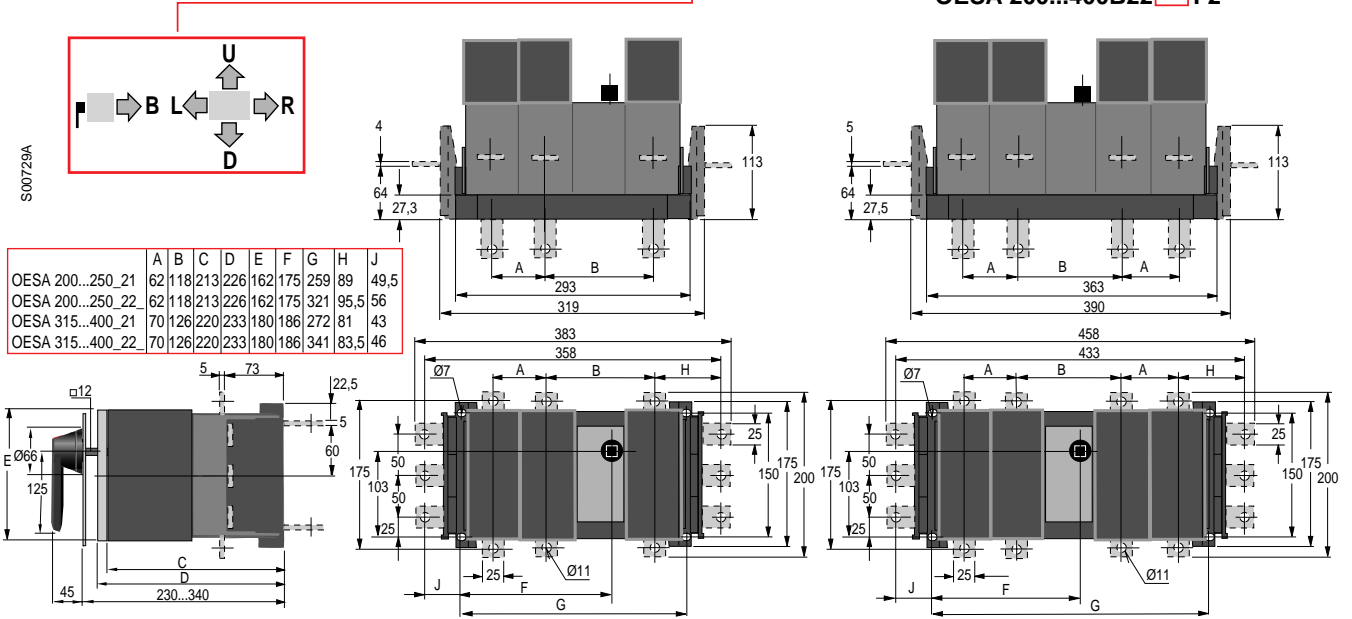
- OESA 200...400D21
- OESA 200...400B21

OESA 200...400D22 N2

OESA 200...400B22 N2

OESA 200...400D22 F2

OESA 200...400B22 F2



OESA 630...800,
Back-termination type,
DIN- and BS-pattern

OESA 630D03BD

- OESA 630D03
- OESA 630B03
- OESA 800D03
- OESA 800B03

OESA 630D04BD N2

OESA 630D04BD F2

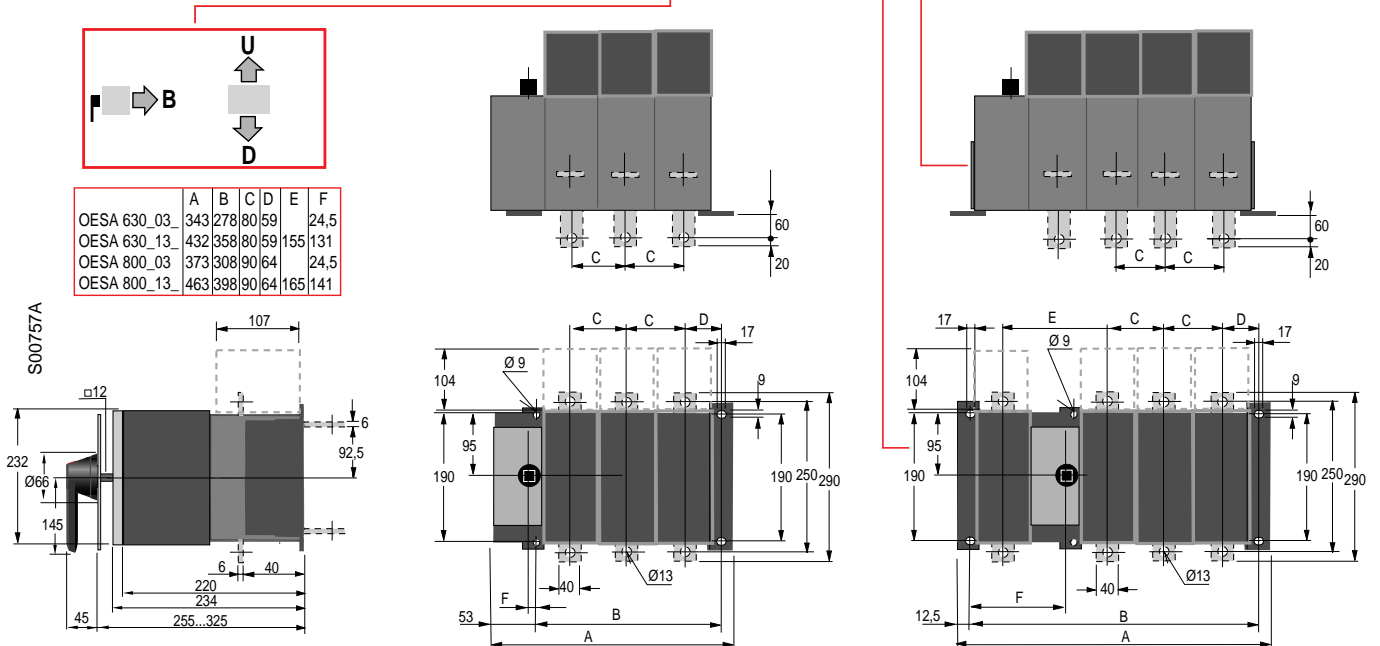
OESA 800D04BD N2

OESA 630D13 N1

OESA 630B13 N1

OESA 800D13 F1

OESA 800B13 F1



PowerLine

Dimension Drawings

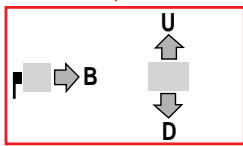
OESA 630...800,
Back-termination type,
DIN- and BS-pattern

OESA 630D12BD

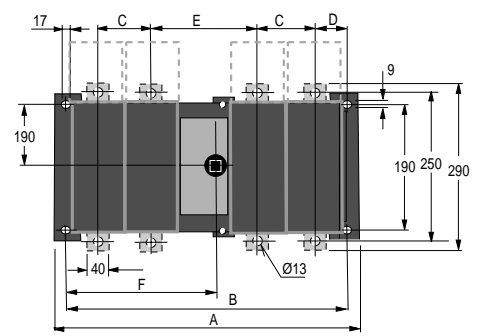
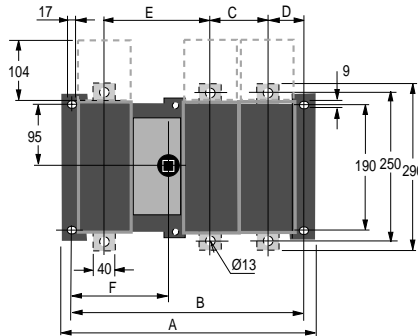
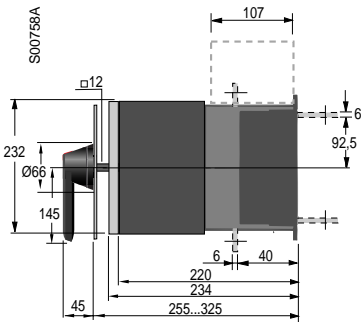
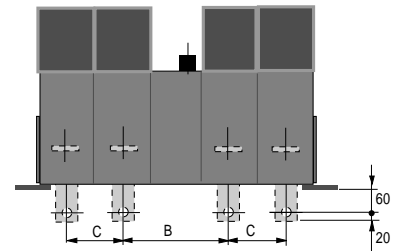
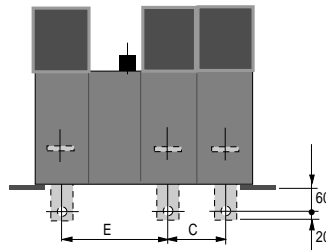
- OESA 630D12
- OESA 630B12
- OESA 800D12
- OESA 800B12

OESA 630D22 N1

- OESA 630B22 N1
- OESA 800D22 F1
- OESA 800B22 F1



	A	B	C	D	E	F
OESA 630_12_	378	353	80	59	155	131
OESA 630_22_	458	433	80	59	155	211
OESA 800_12_	408	383	90	64	165	141
OESA 800_22_	498	473	90	64	165	231





The technical data and dimensions are valid at the time of printing. We reserve the right to subsequent alterations.

ABB Control Oy

P.O. Box 622
FIN-65101 VAASA, Finland
Telephone +358 10 22 4000
Telefax +358 10 22 45708
<http://www.abb.fi>

