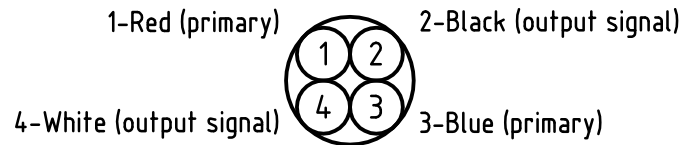


IMPORTANT!

Core order along no. 4



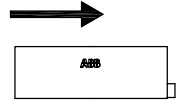
Load Cell equipped with fixed cable has color marked conductors. If cable no. 4 is lengthened it is important to keep core order.

IP20:
 Power Supply 24 (18-36) VDC
 Signal earth (0V) connected to Tension Electronics metal plate
 Cable Shields should be connected to earth close to the Tension Electronics

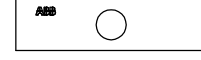
IP65:
 Power Supply 100 (-15%) to 240 (+10%) VAC or 24 VDC
 Signal earth (0V) connected to earth bar inside the unit
 Cable Shields should be connected to earth bar inside the unit

Increased Force in the direction of the arrow results in a positive output signal change.

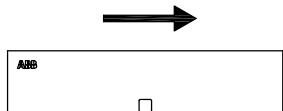
PFTL101



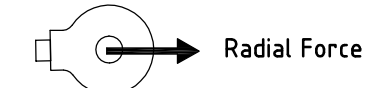
PFCL201



PFTL201

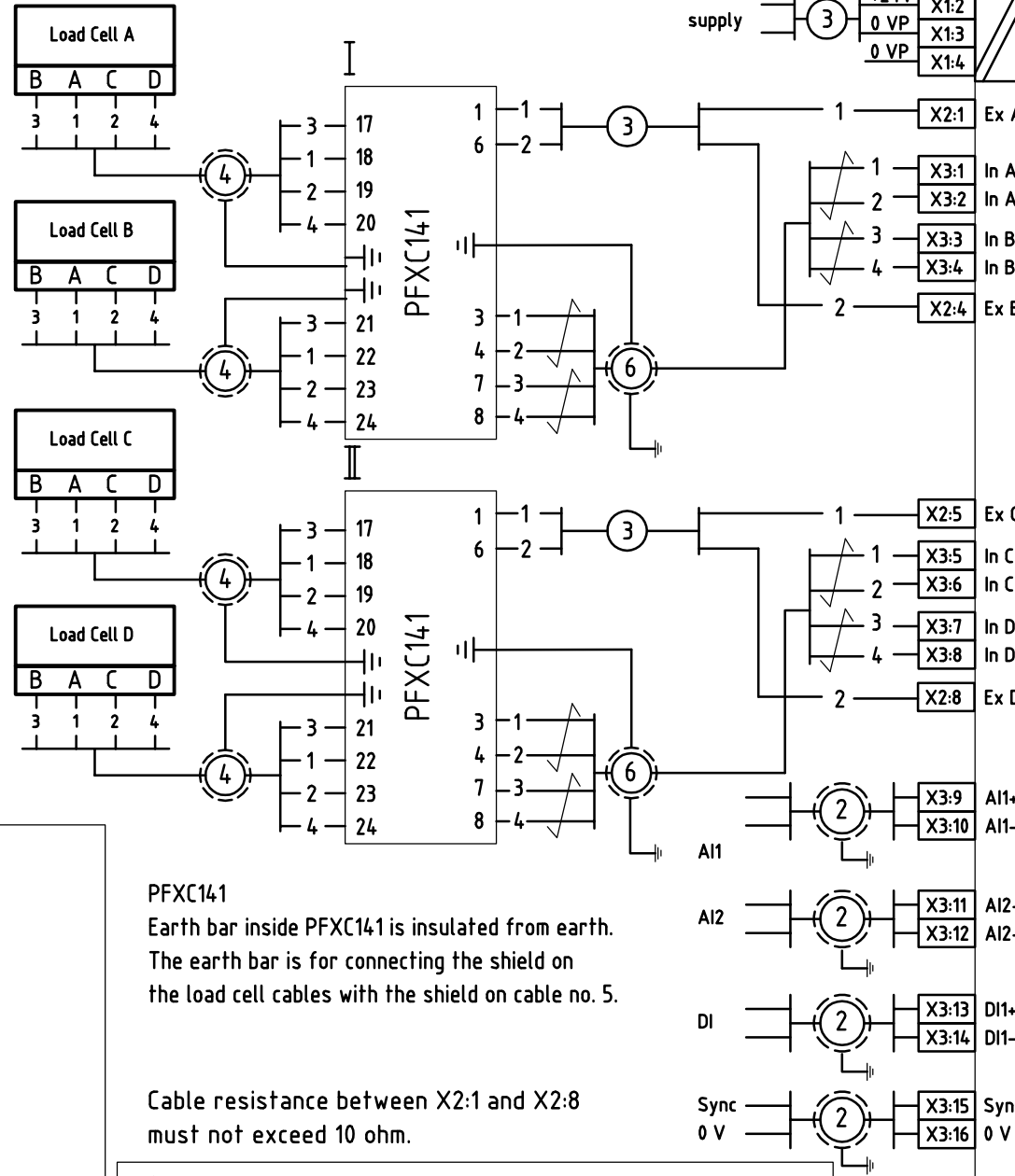


PFRL101



Because of practical reasons the Load Cell PFTL201 is often mounted so that the plug connector is pointing away from the roll. This results in that one of the Load Cells will have inversely applied force.

For inversely applied Force on Load Cell:	Swap
A	X3:1 & 2
B	X3:3 & 4
C	X3:5 & 6
D	X3:7 & 8



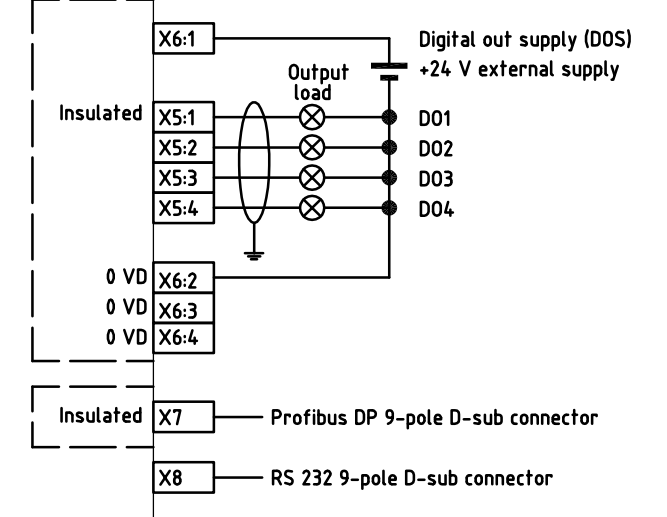
PFXC141
 Earth bar inside PFXC141 is insulated from earth. The earth bar is for connecting the shield on the load cell cables with the shield on cable no. 5.

Cable resistance between X2:1 and X2:8 must not exceed 10 ohm.

CABLE LIST	
1	3 x 1,5...2,5 mm ² [14...12 AWG]
2	2 x 0,4...1 mm ² [22...18 AWG] — [Shielded]
3	2 x 1,5...2,5mm ² [14...12AWG]
4	4 x 1,0 mm ² [18 AWG] — [Shielded, with Male plug connector x)]
6	2 x 2 x 0,5 mm ² [20 AWG] — [Shielded twisted pair]

x) Load cell equipped with fixed cable has no plug connector.

PFEA113



Removed Load Cell (s)	Connect shorting wire in PFXC141 at
A	I 17 & 18
B	I 21 & 22
C	II 17 & 18
D	II 21 & 22

Prep. PAMP/FMFA Birgitta Johansson 2013-06-20	Cable diagram	Cont.sh./No of sh.
Appr. PAMP/FMGS Fredrik Norlund 2013-06-20	Tension Electronics PFEA113	-/7
Resp.dept PAMP/FMGF	Tension Electronics PFEA113	Sheet
ABB ABB AB	Document number 3BSE028144D0065	7
Product family : 661230 Bansp. mätare PRT100	Lang. en	Rev. D
Product type designation : PFEA100	Rev. D	Sheet 7
Product information :	Project or order number :	Customer reference :
	Modify date : 2013-06-05 07:56:47	

D	New Sheet no 7.	2013-06-04	PAFM7GS/MS
REV	DESCRIPTION	DATE	DEPT./INIT.

We reserve all rights in this document and in the information contained therein. Reproduction, use or disclosure to third parties without express authority is strictly forbidden. © ABB AB

Document status : Approved