


## LGS AC SERIES HAZARDOUS LOCATION LIGHTING FIXTURE

Class I, Division 2, Groups ABCD; Class II, Division 2, Groups FG; Class III; Class I, Zone 2,  
Group IIC; Zone 22

 **IMPORTANT:** DO NOT ATTEMPT INSTALLATION UNTIL YOU ARE FAMILIAR WITH ALL WARNINGS, PRECAUTIONS, AND PROCEDURES OUTLINED WITHIN THIS INSTRUCTION SHEET.



ELECTRICAL POWER MUST BE TURNED OFF BEFORE AND DURING INSTALLATION AND MAINTENANCE.


### INSTALLATION PRECAUTIONS:

All national and electrical/building codes must be followed in the installation of the luminaire. For code interpretation, consult local code authority.



### — RISKS OF FIRE OR EXPLOSION —

1. DO NOT INSTALL LUMINAIRE IN ANY CLASSIFIED LOCATION WHERE THE MARKED OPERATING TEMPERATURE EXCEEDS THE IGNITION TEMPERATURE OF THE HAZARDOUS ATMOSPHERES. CONSULT LUMINAIRE NAMEPLATE FOR SUITABILITY IN SPECIFIC HAZARDOUS LOCATIONS.
2. DO NOT INSTALL LUMINAIRE IN A LOCATION WHERE THE AMBIENT TEMPERATURE EXCEEDS THE MAXIMUM AMBIENT TEMPERATURE SHOWN ON THE LUMINAIRE NAMEPLATE.
3. REFER TO LUMINAIRE NAMEPLATE FOR MINIMUM SUPPLY WIRE TEMPERATURE RATING.
4. VERIFY THAT THE SUPPLY VOLTAGE AGREES WITH LUMINAIRE RATING AS INDICATED ON NAMEPLATE.
5. VERIFY THAT GROUND CONTINUITY HAS BEEN ESTABLISHED BY USING AN OHMMETER OR OTHER SUITABLE TESTING EQUIPMENT BEFORE ENERGIZING THE LUMINAIRE.

 **WARNING:** LUMINAIRE MUST BE GROUNDED AS REQUIRED PER PARAGRAPH 410.44 AND ARTICLE 250 OF THE NATIONAL ELECTRIC CODE AND/OR SECTION 10 AND RULE 30-500 OF CANADIAN ELECTRIC CODE. FAILURE TO PROPERLY GROUND THIS LUMINAIRE WILL CREATE AN ELECTRICAL SHOCK HAZARD WHICH CAN CAUSE SERIOUS INJURY OR DEATH.

LUMINAIRE MAY BE ENERGIZED IN A HAZARDOUS LOCATION ONLY AFTER THE LUMINAIRE HAS BEEN SECURED TO THE MOUNT AND THE LENS HAS BEEN ASSEMBLED AND TIGHTENED TO THE HOUSING AS OUTLINED IN THIS INSTRUCTION SHEET.

#### Warranty:

Hazlux sells this product with the understanding that the user will perform all necessary tests to determine the suitability of this product for the user's intended application. Subject to the limitations set forth below, Hazlux warrants that the Hazlux LED luminaire will be free from defects in material and workmanship for a period of **five (5) years** beginning on the date of installation or 90 days from the date of shipment, whichever date is earlier.

#### Warranty Limitations and Exclusions:

The above warranty shall only apply when the product is installed in applications in which ambient temperatures are within the range of specified operating temperatures and is operated within the electrical values shown on the LED driver label. This warranty is also void if the product has been subjected to misuse, neglect, accident, fire, physical damage, improper installation, unauthorized modification, or use in violation of our instructions or any applicable laws, codes or ordinances. Upon prompt notification of a warranted defect, Hazlux will, at its option, repair or replace any products found to be defective under normal installation, use and service. Hazlux reserves the right to replace any warranted product with a substitute product of similar function if the warranted product is no longer available.

**THE ABOVE WARRANTY IS THE SOLE WARRANTY CONCERNING THIS PRODUCT, AND IS IN LIEU OF ALL OTHER WARRANTIES EXPRESS OR IMPLIED, INCLUDING BUT NOT LIMITED TO ANY IMPLIED WARRANTY OF MERCHANTABILITY OR FITNESS FOR A PARTICULAR PURPOSE, WHICH ARE SPECIFICALLY DISCLAIMED. LIABILITY FOR BREACH OF THE ABOVE WARRANTY IS LIMITED TO COST OF REPAIR OR REPLACEMENT OF THE PRODUCT, AND UNDER NO CIRCUMSTANCES WILL HAZLUX BE LIABLE FOR ANY INDIRECT, SPECIAL, INCIDENTAL OR CONSEQUENTIAL DAMAGES.**

## METRIC TOOLING REQUIRED FOR INSTALLATION OF THIS LUMINAIRE AND ALL MOUNTING CONFIGURATIONS

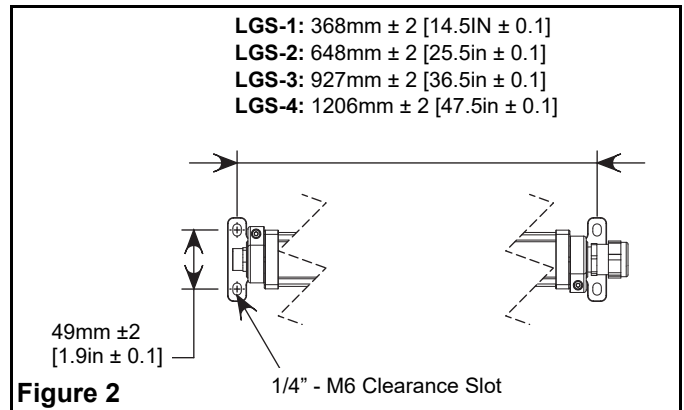
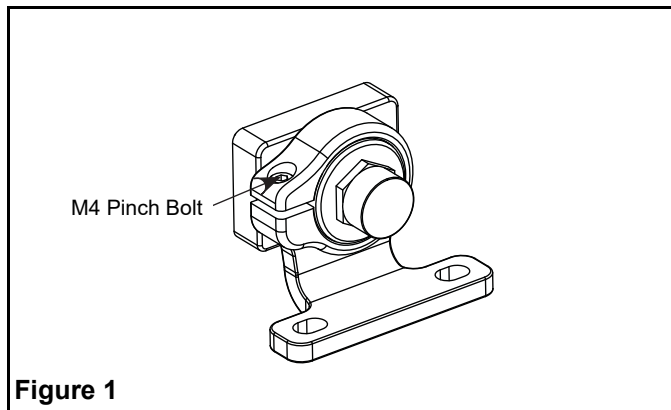
### INSTALLATION INSTRUCTIONS

#### Adjustable Bracket Mount

1. Loosen each M4 pinch bolt (located on the end brackets of the luminaire) slightly using a 3mm hex key to allow some free movement. This will allow for easier installation on uneven or other surfaces (Figure 1).

**i Important:** Be sure not to loosen the end brackets too much as the end brackets will disengage.

2. Mount luminaire to desired location with four 1/4"-20 (4x) screws or bolts (not provided)(Figure 2).



3. Adjust luminaire to desired angle and tighten M4 pinch bolts (2x) using a 3mm hex key (Figure 1).

**i Important:** Periodic adjustment of aiming may be required. Do not rotate more than 180° in either direction from installation point, doing so may put excessive strain on the electrical connections.

#### Carriage Bolt Mount

Align both carriage bolts through holes in the desired mounting surface. Place the provided flat washer, lock washer and 1/4"-20 nut on the bolt and tighten luminaire to the surface.

#### Electrical connection

1. Supply side of the cord must be inserted into a Listed cord connector to an outlet junction box with suitable grounding complying with the National Electrical Code (NEC) / National Electrical Code (CEC) hazardous location requirements of the installation. The cord connector must be rated for use with extra hard usage cable of types SOW, SOOW, STOOW, STOW, SEOW, SEOOW that have a diameter between 8.75mm/0.345" & 9.4mm/0.370". The Listed cord connector must be installed in the Listed outlet box, using a min. 1/2 INCH NPT hub complying with the NEC / CEC hazardous location requirements of the installation. The cord connector must be connected to the Listed outlet box having threaded conduit opening matching the same size as the cord connector. The outlet box must be rated for the environment of the installation. The installation environment must not exceed the Wet Location IP66/67 rating of the luminaire.
2. Connect the lead wires from the cord to the field supply wiring inside the outlet box. The field wiring terminations are to be made following acceptable practices as outlined by the NEC / CEC for either the specific ordinary or hazardous locations as dictated by the installation location.
3. Energize luminaire.

